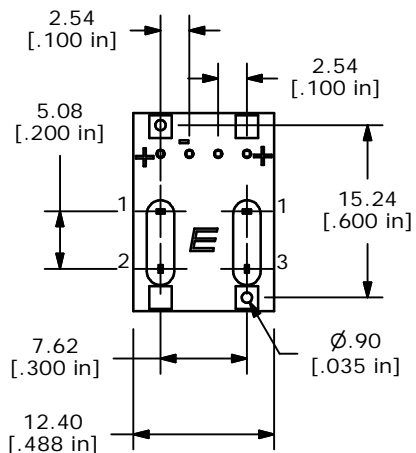
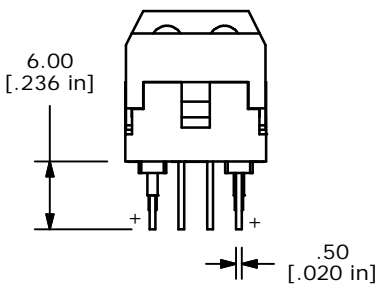
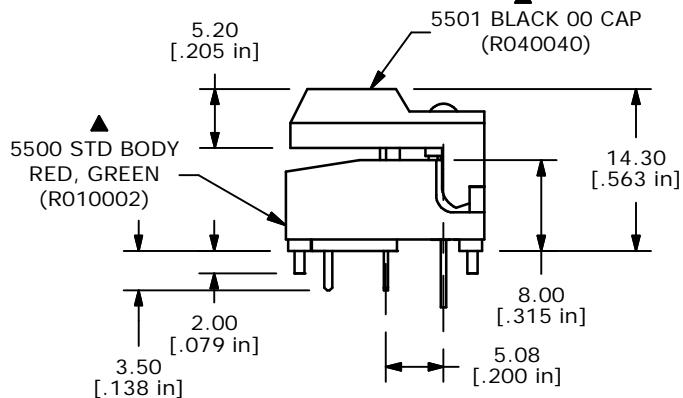


ISOMETRIC



NOTE:

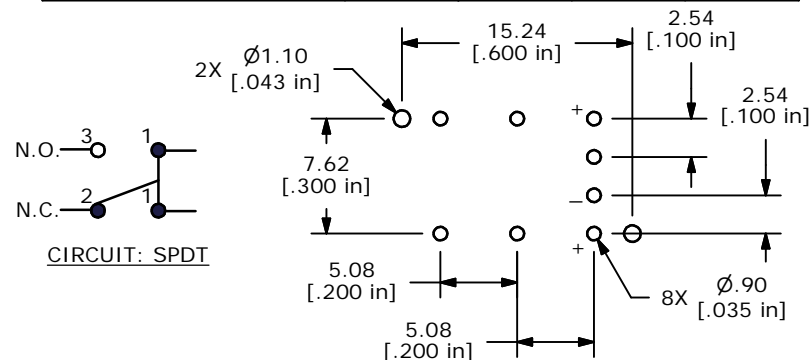
1. ALL DIMENSIONS IN MM [INCH]
2. GENERAL TOLERANCE: X.X=±0.4
X.XX=±0.25
3. TERMINAL NUMBERS FOR REF ONLY
4. RATINGS: 12mA @24V
5. CONTACTS: FIXED AND MOVING:
COPPER ALLOY W/GOLD PLATE
6. CONTINUOUS CURRENT RATING 120mA
7. POWER RATING: 240mW
8. OPERATING FORCE: <200GF
9. OPERATING TRAVEL: 2.5MM ± 0.2MM
10. ▲ DENOTES CRITICAL PARAMETER.

RED LED

PARAMETERS	SYMBOL	MAX.	MIN.	TYP.	UNITS
POWER DISSIPATION	P _D	80	--		mW
AVE FORWARD CURRENT	I _{AF}	30	--		mA
PEAK FORWARD CURRENT	I _{PF}	80	--		mA
FORWARD VOLTAGE	V _F	2.8	1.8	2.2	V
REVERSE VOLTAGE	V _R	5	--		V
REVERSE CURRENT	I _R	100	--		mA
EMISSION WAVELENGTH	λ _P			695	nm
LUMINOUS INTENSITY	I _F		0.7	2.2	mcd

GREEN LED

PARAMETERS	SYMBOL	MAX.	MIN.	TYP.	UNITS
POWER DISSIPATION	P _D	100	--		mW
AVE FORWARD CURRENT	I _{AF}	30	--		mA
PEAK FORWARD CURRENT	I _{PF}	120	--		mA
FORWARD VOLTAGE	V _F	2.8	1.9	2.2	V
REVERSE VOLTAGE	V _R	5	--		V
REVERSE CURRENT	I _R	100	--		mA
EMISSION WAVELENGTH	λ _P			570	nm
LUMINOUS INTENSITY	I _F		6.0	15.0	mcd



B	14604	REVISED AND REDRAWN	1/5/05	AR
REV	PCR NO	DESCRIPTION	DATE	BY

TITLE 5501MBLKREDGRN				
SCALE 1:1	DATE 10/16/01	DR CJC	DWG XR0104P	REV B

THE INFORMATION CONTAINED IN THIS DOCUMENT IS PROPRIETARY TO E-SWITCH AND IS NOT TO BE COPIED OR TRANSFERRED