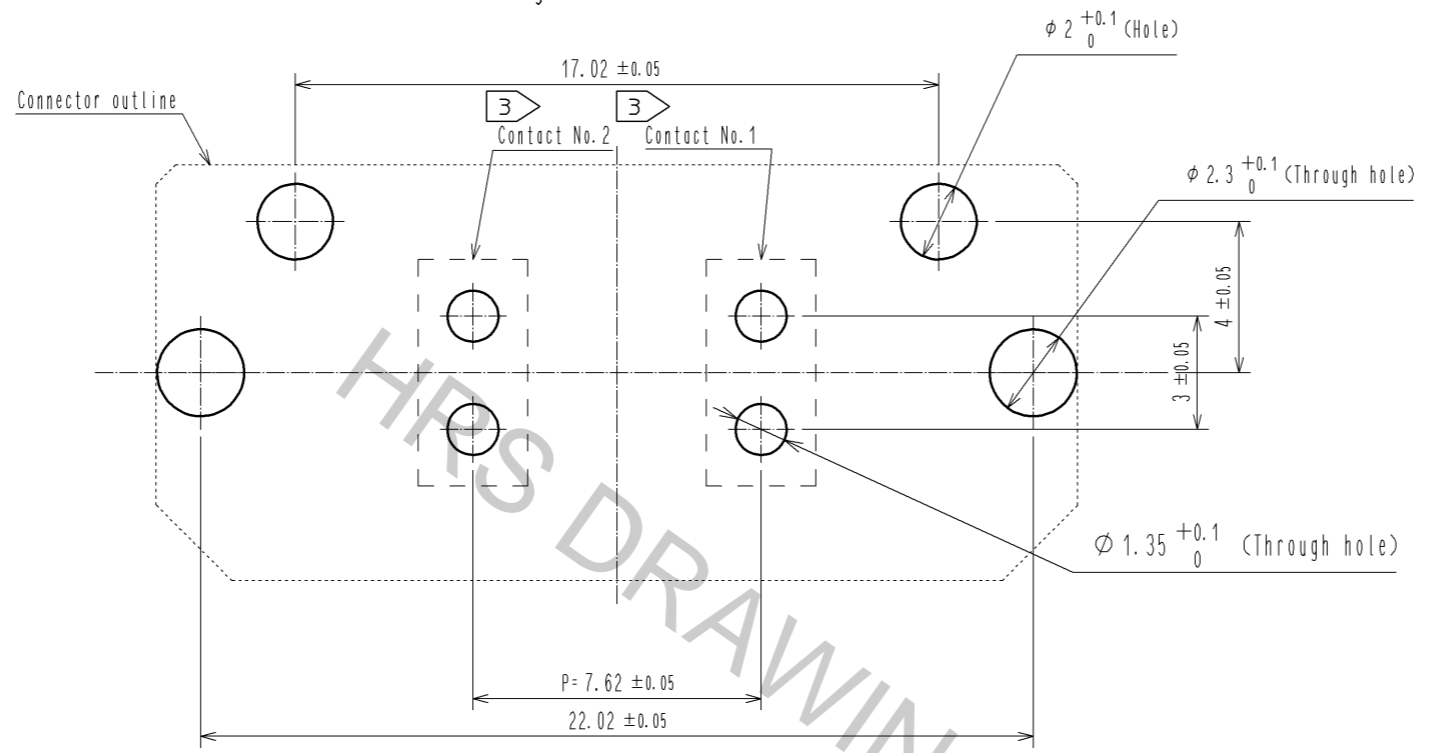


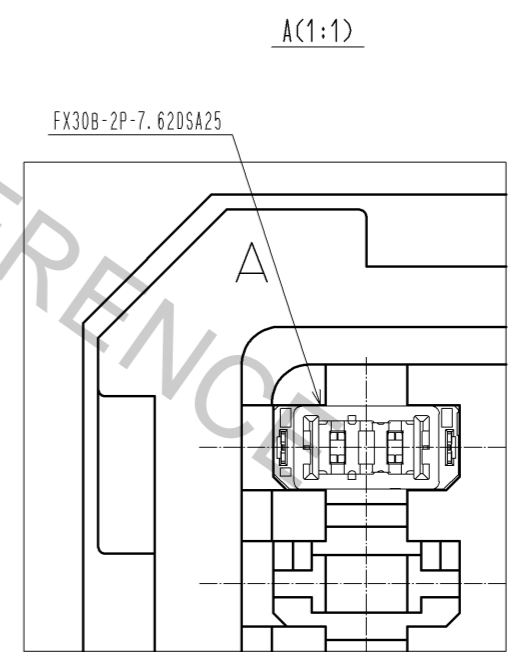
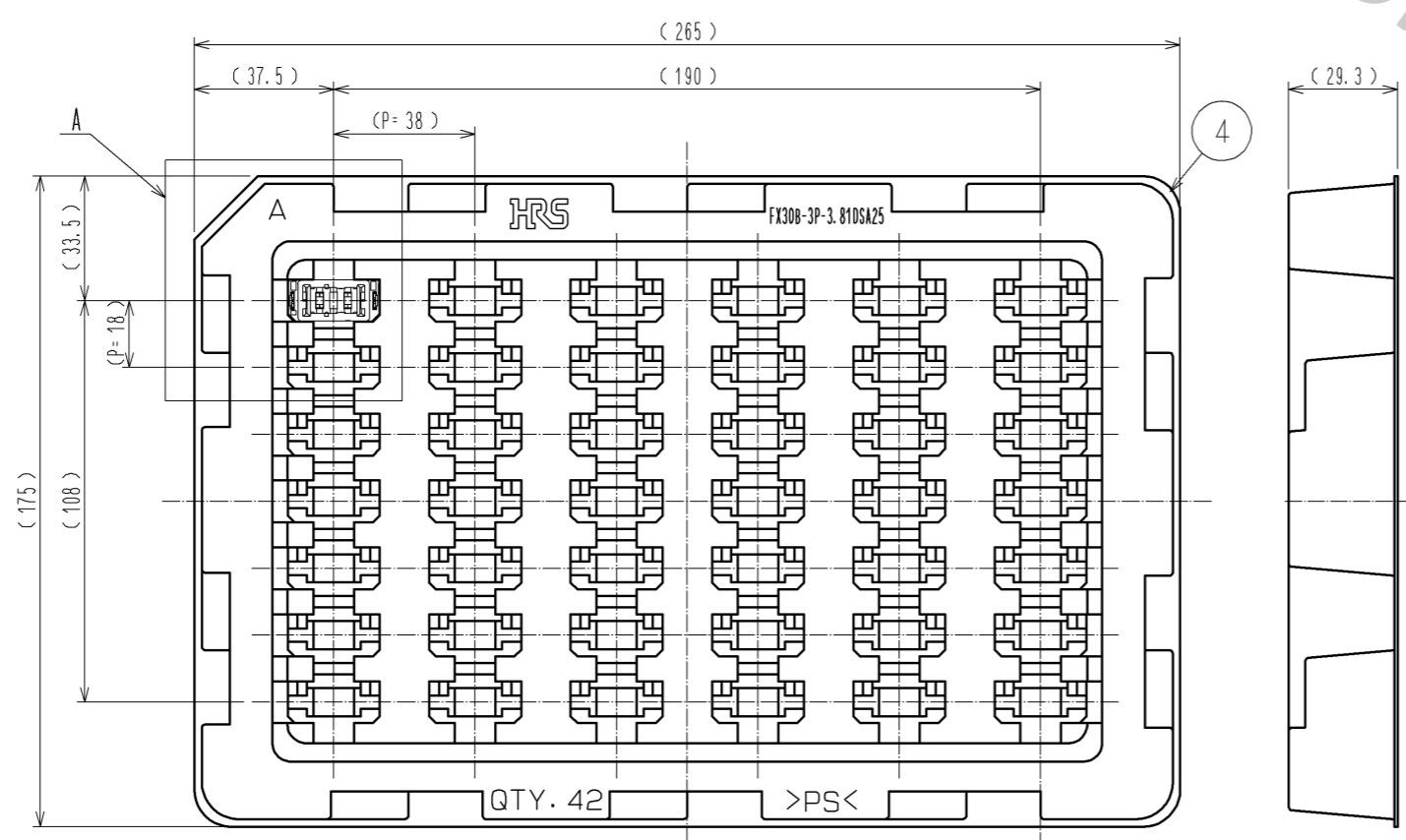
- NOTE
- 1 This product is packaged in tray. (42pcs/tray)
  - 2 Blemish and hit mark can be occurred through out the manufacturing process which doesn't affect quality level. Also, black spot could be observed on the surface of housing.
  - 3 For the contact NO., adjacent two pairs of leads placed back-to-back (4 leads in total) Compose one line.
  - 4 Misalignment absorbing range:  $\pm 0.3 \text{ mm}$  max.
  - 5 The dimension in parentheses are for references.
  - 6 Lot NO. is indicated at either one of the position as shown.

2	Copper alloy	Contact area: Gold-plating $0.1 \mu\text{m}$	4	Polystyrene				
		Lead area: Tin-plating $1.0 \mu\text{m}$						
		Under plating: Nickel $1.0 \mu\text{m}$						
1	Polyamide	Black UL94V-0	3	Phosphor bronze				
NO.	MATERIAL	FINISH . REMARKS	NO.	MATERIAL	FINISH . REMARKS			
UNITS mm		SCALE 2 : 1	COUNT 	DESCRIPTION OF REVISIONS		DESIGNED	CHECKED	DATE
<b>HRS</b> HIROSE ELECTRIC CO., LTD.		APPROVED : HS. OKAWA	14.09.12	DRAWING NO.		EDC3-359158-00		
		CHECED : KN. SHIBUYA	14.09.12	PART NO.		FX30B-2P-7.62DSA25		
		DESIGNED : DK. AIMOTO	14.09.12	CODE NO.		CL570-3205-1-00		
		DRAWN : DK. AIMOTO	14.09.12					

Recommended hole pattern dimension of PCB(5:1)  
 (Connector mounting side, PCB thickness:t=1.6mm)



1 Drawing for packaging(1:2)



<b>HRS</b>	DRAWING NO.	EDC3-359158-00	△ 2/2
	PART NO.	FX30B-2P-7.62DSA25	
	CODE NO.	CL570-3205-1-00	