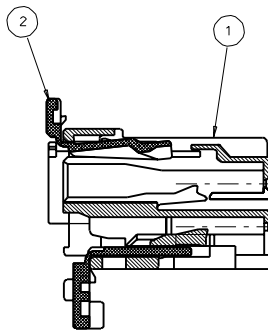
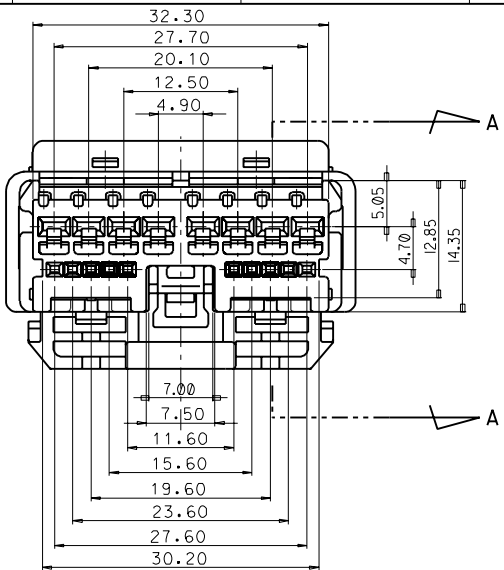
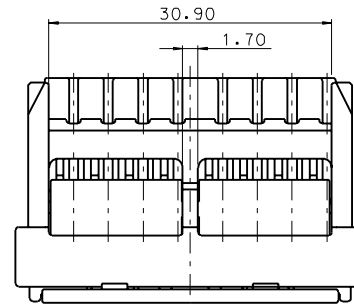
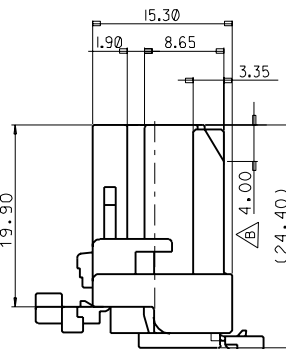
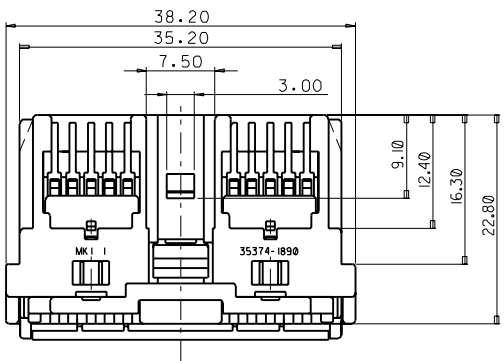


DO NOT SCALE DRAWING DIMENSION IN METRIC

PROJECT NO. C
SIMILAR ITEM
EDF NO. V
PROJECT NO. V
SIMILAR ITEM
ENG. NO. SD35374-002
DWG. NO. SD35374-002



SECTION A-A



NO.	P/NAME	P/NO.	MATERIAL	QTY
①	DUOMATE HYB. TYPE 18P FEMALE HSG	35374-1890	POLYESTER (PBT)	1
②	DUOMATE HYB. TYPE 18P FEMALE TPA	35379-1880	POLYESTER (PBT)	1

NOTES

- MATING TERMINAL PART NO :
DUOMATE (O30) TYPE : 35442-1702
UNICONN (O90) TYPE : 35421-6702, 35421-6802, 35421-6902
- MATING CONNECTOR PART NO : 35376-1810
- TERMINAL RETENTION FORC (COMBINED) : 10kgf MIN.

NEW RELEASE EC NO. DRAWING Y.S.K.KIMM 96/06/19 CHK: APPR:	DESCRIPTION MAJOR CRITICAL	GENERAL TOLERANCES: (UNLESS SPECIFIED)		SCALE	DESIGN	MATERIAL	THIRD ANGLE PROJECTION	DIMENSIONS:	SHT	REV
		mm	INCH	2:1	<input checked="" type="checkbox"/> DIM	<input type="checkbox"/> INCH	<input type="checkbox"/> INCH	<input checked="" type="checkbox"/> DIM <input type="checkbox"/> INCH <input type="checkbox"/> MM <input checked="" type="checkbox"/> MOLEX-KOREA		
A	4 PLACES	±0.20	±	DRAWN BY & DATE Y.S.K.KIMM 96	GENERAL TOLERANCE	DUOMATE HYBRID TYPE 18P				
	3 PLACES	±0.20	±	CHECKED BY & DATE B.C.CHOI 96	DIMENSION :	FEMALE CONNECTOR ASS'Y				
	2 PLACES	±0.20	±	APPROVED BY & DATE C.W.LEE 96/11/17	DIMENSION CLASSIFICATION	MOLEX INCORPORATED				
	1 PLACE	±0.20	±	CAD FILE NAME S35374.B	REFERENCE	TITLE KOREA				
	REV	DRAFT WHERE APPLICABLE MUST REMAIN IN DIMENSION CAD		DESCRIPTION	MATERIAL NO.	DRAWING NO.	SHEET NO.		SHEET NO.	
		THIS DRAWING CONTAINS INFORMATION THAT IS PROPRIETARY TO MOLEX (KOREA) AND SHOULD NOT BE USED WITHOUT WRITTEN PERMISSION.		INCORPORATED AND SHOULD NOT BE USED WITHOUT WRITTEN PERMISSION.	35374-1890	SD35374-002	1/1		1/1	