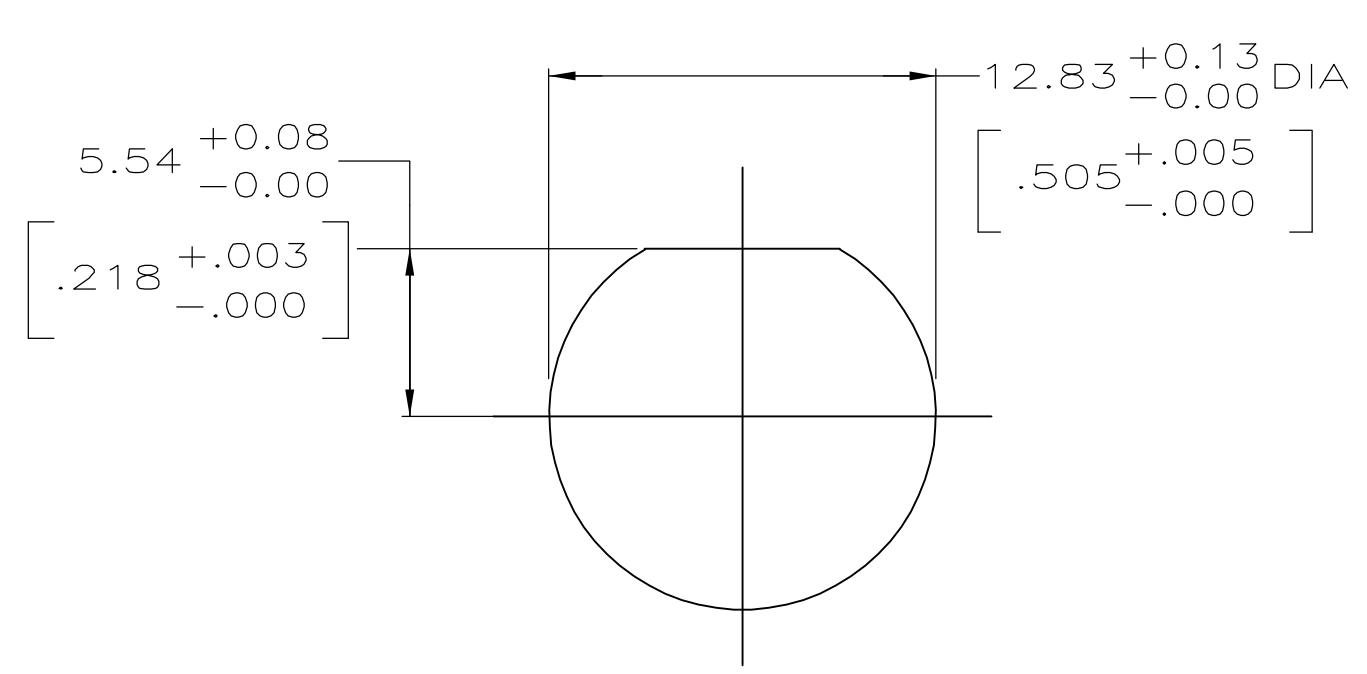
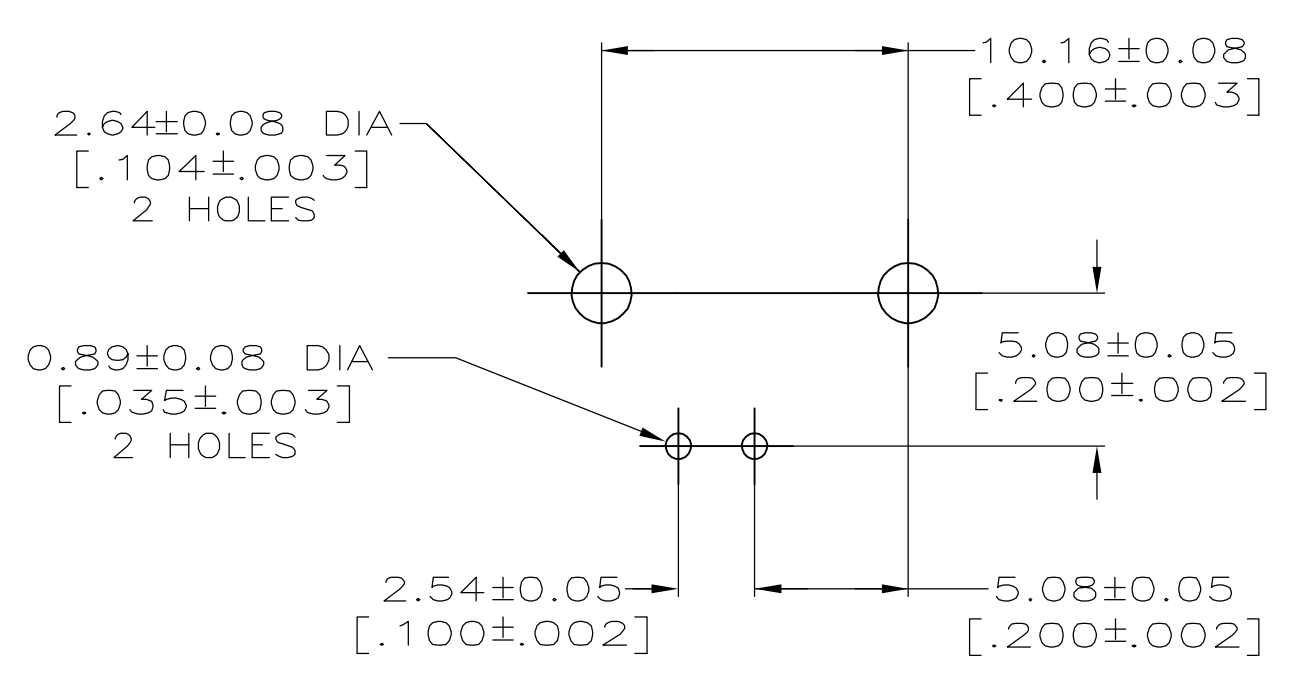


- ① ZINC PER QQ-Z-363.
- ② POLYMETHYLPENTENE, GENERAL PURPOSE.
- ③ BERYLLIUM COPPER PER QQ-C-530.
- ④ BRASS PER ASTM-B-453.
- ⑤ NICKEL PLATE PER QQ-N-290, 3.81 μm [.000150] MINIMUM THICK.
- ⑥ TIN PLATE PER ASTM-B-545, 3.81 μm [.000150] MINIMUM THICK.
- ⑦ GOLD PLATE PER ASTM-B-488, 0.76 μm [.000030] MINIMUM THICK.
- 8. SEE INSTRUCTION SHEET 408-2769.



RECOMMENDED PANEL CUTOUT



PCB CONFIGURATION

6274072-1
PART NUMBER

THIS DRAWING IS A CONTROLLED DOCUMENT.		DWN J. ALCORTA - 27APR2005		Tyco Electronics Corporation Harrisburg, PA 17105-3608																							
DIMENSIONS: mm (INCHES)		CHK J. HAVENER - 27APR2005		APVD J. LIPPERT - 27APR2005	NAME JACK, RIGHT ANGLE, 75 OHM, LOW PROFILE, PCB, BNC	RESTRICTED TO																					
TOLERANCES UNLESS OTHERWISE SPECIFIED:		<table border="1"> <tr><td>0 PL</td><td>±</td><td>-</td></tr> <tr><td>1 PL</td><td>±</td><td>-</td></tr> <tr><td>2 PL</td><td>±</td><td>0.20 [.008]</td></tr> <tr><td>3 PL</td><td>±</td><td>-</td></tr> <tr><td>4 PL</td><td>±</td><td>-</td></tr> <tr><td>ANGLES</td><td>±</td><td>-</td></tr> <tr><td>FINISH</td><td>±</td><td>-</td></tr> </table>		0 PL	±	-	1 PL	±	-	2 PL	±	0.20 [.008]	3 PL	±	-	4 PL	±	-	ANGLES	±	-	FINISH	±	-	PRODUCT SPEC	APPLICATION SPEC	SIZE A1
0 PL	±	-																									
1 PL	±	-																									
2 PL	±	0.20 [.008]																									
3 PL	±	-																									
4 PL	±	-																									
ANGLES	±	-																									
FINISH	±	-																									
MATERIAL SEE NOTES 1 - 5		WEIGHT -		CAGE CODE 00779	DRAWING NO 6274072																						
CUSTOMER DRAWING		SCALE 4:1		SHEET 1 OF 1	REV A																						