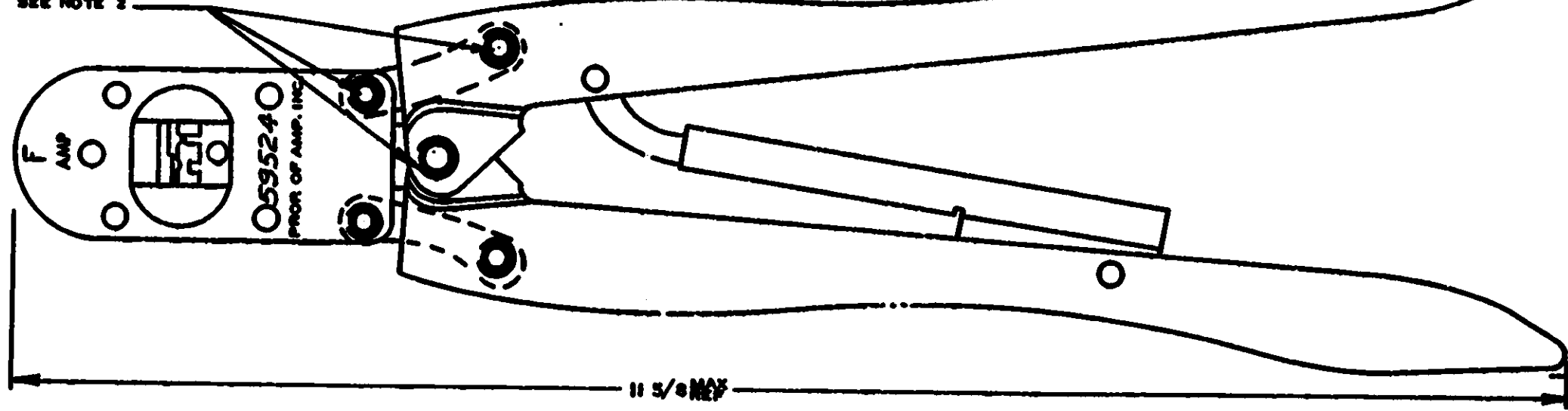
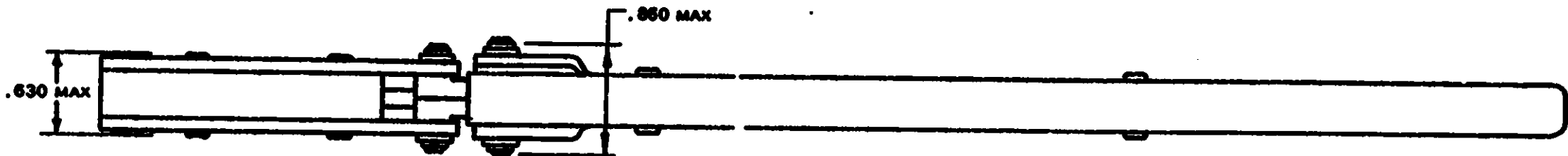
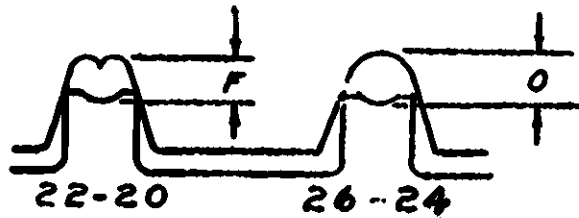


PINS AND SNAP RINGS  
SEE NOTE 2

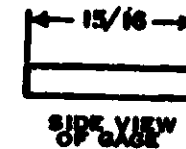
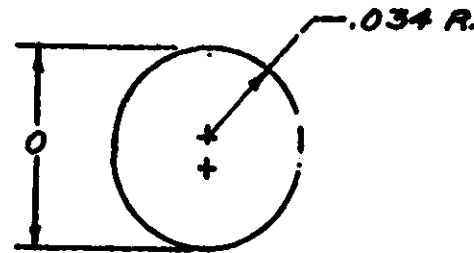
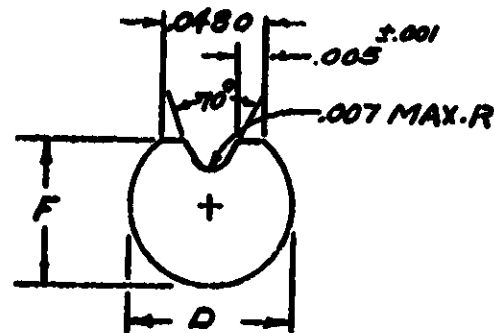


3 MAX CLOSED BUT NOT UNDER PRESSURE

WIRE CRIMP			
CRIMP SYMBOL	DIM	GA	NO GO
	#	#	#



INSULATION CRIMP			
CRIMP SYMBOL	DIM	GO	NO GO
22-20	F	0759	0829
	D	0835	0918
26-24	O	0690	0510



DOUBLE END HANDLE A.S.D. STD.

ENLARGED END VIEW OF INSULATION GAGES

- CRIMP GAGE DIMENSIONS APPLY WHEN TOOL IS CLOSED OR BOTTOMED BUT NOT UNDER PRESSURE.
- FOR REPLACEMENT OF PARTS SUCH AS PINS AND SNAP RINGS. ORDER REPAIR KIT NO. 125218-2.
- FOR REPLACEMENT OF PARTS OTHER THAN PINS AND SNAP RINGS, TOOL IS TO BE RETURNED TO AMP INC. HARRISBURG, PENNA. TO INSURE PROPER CERTI-CRIMP ADJUSTMENT.
- FOR TOOL USAGE. SEE INSTRUCTION SHEET NO. 1783.
- GAGE DIMENSION IS CHECKED BY MEASURING TERMINAL CRIMP HEIGHT.  
26-24 - .032 ±.002  
22-20 - .041 ±.003

REVISION RECORD				C-59524
LTR	REVISION RECORD	DR	CHK	
A	REDRAWN			
A-1	Loc M was R	1/2		

SUGGESTED GAGE DESIGN

©1961 BY AMP INCORPORATED. ALL RIGHTS RESERVED. AMP PRODUCTS COVERED BY PATENTS AND/OR PATENTS PENDING.		CUSTOMER COPY REFERENCE ONLY	
BY <i>Egertt 3-6-63</i>	MATERIAL AND FINISH ---	AMP AMP INCORPORATED HARRISBURG, PENN.	
CHK <i>Kelmacher 3-7-63</i>	---		
BY <i>Egertt 3-6-63</i>	WIRE - RANGE - INSULATION	CLASS	TYPE
BY <i>Egertt 3-7-63</i>	TOLERANCE EXCEPT AS NOTED	SCALE	LOC
	---	---	M B
			NO C-59524
NAME <i>F. J. ...</i>			
<b>STRAIGHT ACTION HAND TOOL</b>			

DIMENSIONS IN INCHES. DO NOT SCALE PRINT