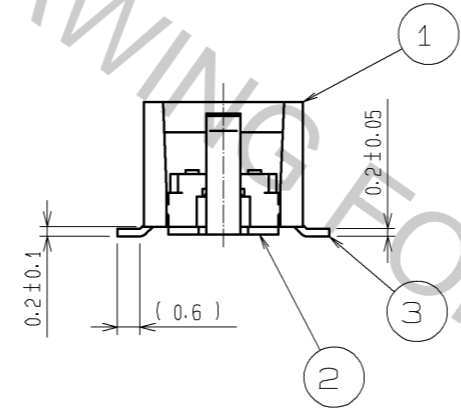
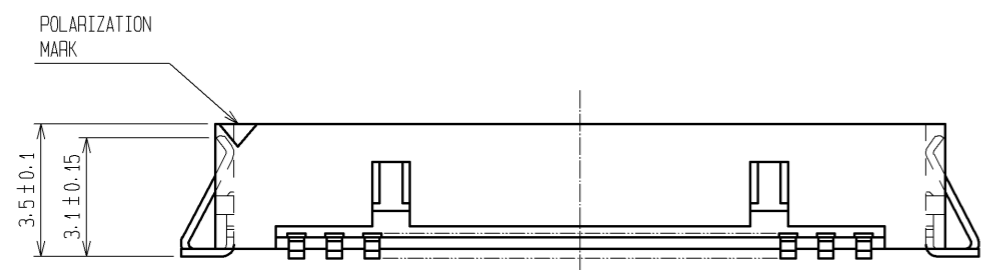
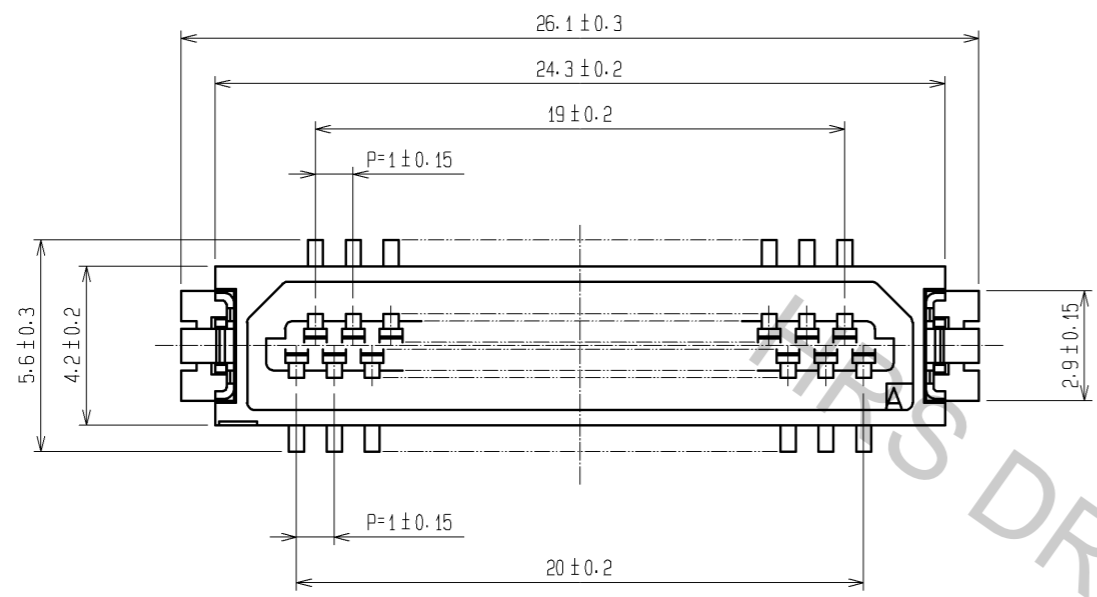
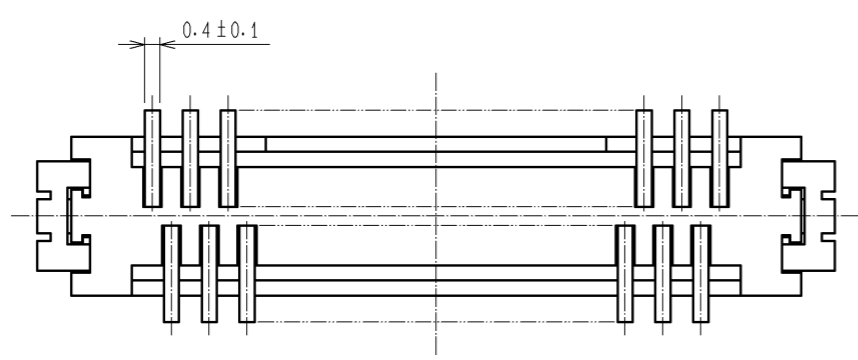
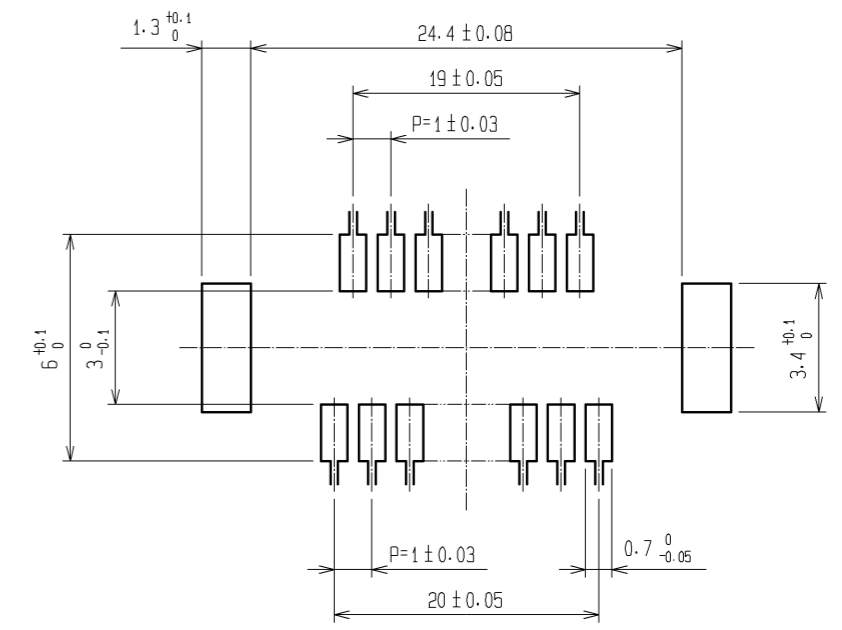


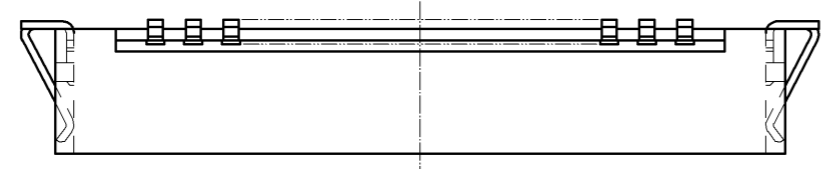
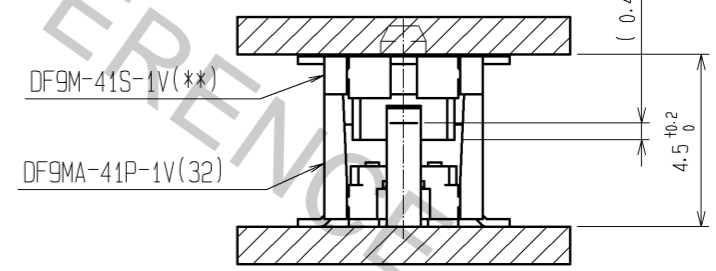
Apr.1.2017 Copyright 2017 HIROSE ELECTRIC CO., LTD. All Rights Reserved.



RECOMMENDED PATTERN



MATED CONNECTORS

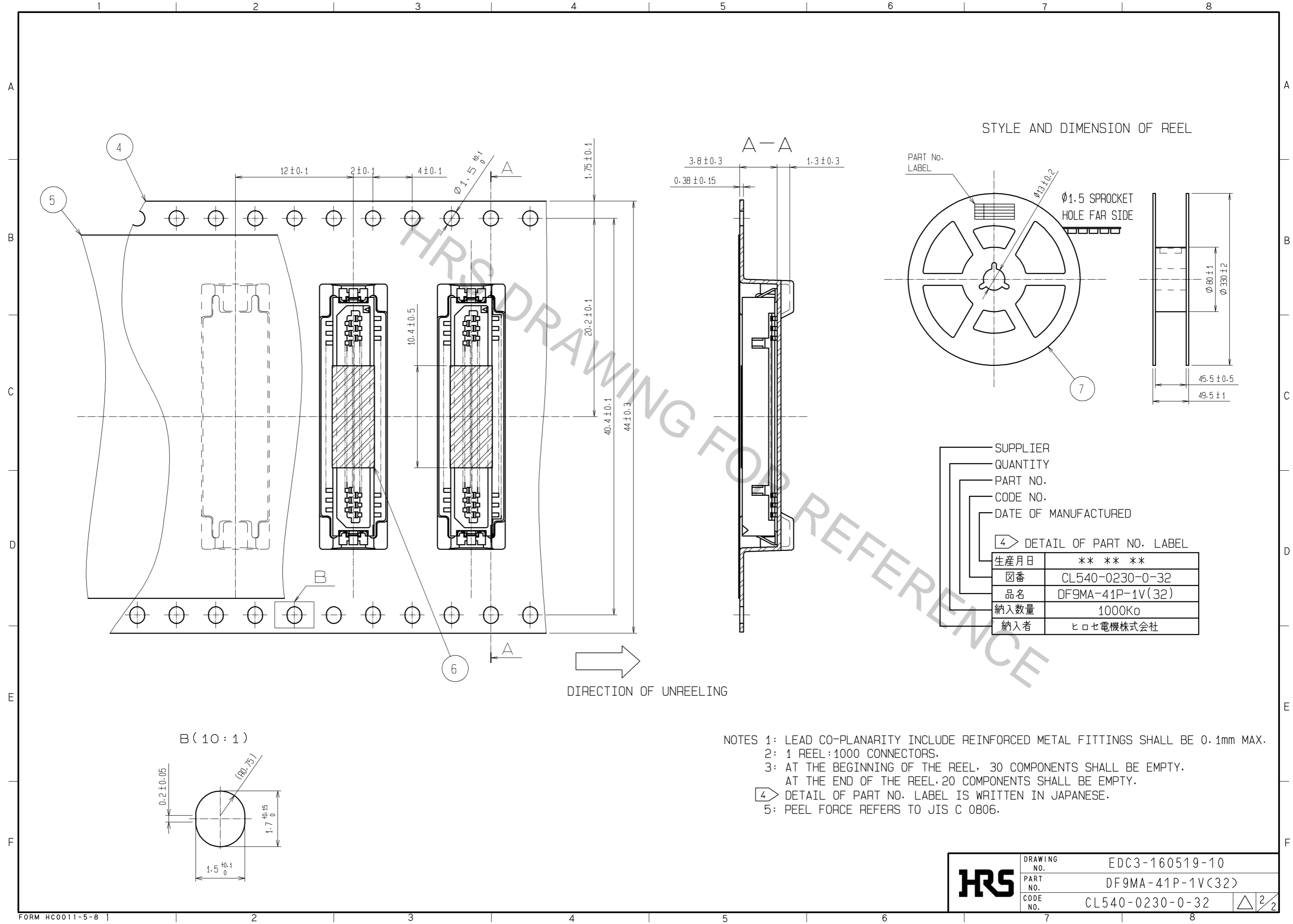


3	PHOSPHOR BRONZE	TIN PLATED (HOT-DIP) 1μm min	7	PS	PLASTIC REEL-BLACK
2	PHOSPHOR BRONZE	TIN PLATED (REFLOW FINISHED) 1μm min.	6	POLYIMIDE	BROWN(HEAT-RESISTANT TAPE)
1	POLYAMIDE	BEIGE, UL94V-0	5	POLYESTER	CLEAR(COVER TAPE)
			4	PS	CLEAR(EMBOSSED CARRIER TAPE)
NO.	MATERIAL	FINISH, REMARKS	NO.	MATERIAL	FINISH, REMARKS

UNITS mm		SCALE 5 : 1	COUNT △	DESCRIPTION OF REVISIONS	DESIGNED	CHECKED	DATE
HIROSE ELECTRIC CO., LTD.				APPROVED : KH. IKEDA 10.11.30 CHECKED : TS. MIYAZAKI 10.11.30 DESIGNED : YN. SAKAMOTO 10.11.30 DRAWN : YN. SAKAMOTO 10.11.30	DRAWING NO. EDC3-160519-10 PART NO. DF9MA-41P-1V(32) CODE NO. CL540-0230-0-32		

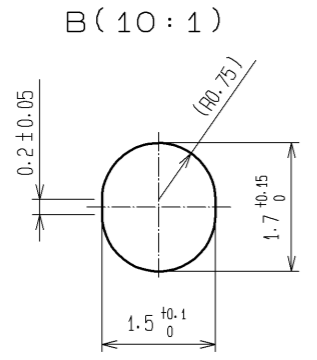
Apr.1.2017 Copyright 2017 HIROSE ELECTRIC CO., LTD. All Rights Reserved.



STYLE AND DIMENSION OF REEL

—	SUPPLIER
—	QUANTITY
—	PART NO.
—	CODE NO.
—	DATE OF MANUFACTURED
④	DETAIL OF PART NO. LABEL
生産月日	** ** *
図番	CL540-0230-0-32
品名	DF9MA-41P-1V(32)
納入数量	1000Ko
納入者	ヒロセ電機株式会社

DIRECTION OF UNREELING



- NOTES 1: LEAD CO-PLANARITY INCLUDE REINFORCED METAL FITTINGS SHALL BE 0.1mm MAX.  
 2: 1 REEL:1000 CONNECTORS.  
 3: AT THE BEGINNING OF THE REEL, 30 COMPONENTS SHALL BE EMPTY.  
 AT THE END OF THE REEL, 20 COMPONENTS SHALL BE EMPTY.  
 ④ DETAIL OF PART NO. LABEL IS WRITTEN IN JAPANESE.  
 5: PEEL FORCE REFERS TO JIS C 0806.

<b>HRS</b>	DRAWING NO.	EDC3-160519-10
	PART NO.	DF9MA-41P-1V(32)
	CODE NO.	CL540-0230-0-32
		△ 2/2