



PRODUCT DATASHEET

Barbara series

last update 3/4/2017

DETAILS

Product Number	F15402_BARBARA-G2-S
Family	Barbara
Type	Reflector
Color	metal
Diameter	70 mm
Height	41,9 mm
Style	round
Optic Material	PC
Holder Material	
Fastening	socket
Status	production ready
ROHS Compliant	Yes
Date Updated	3/04/2017



OPTICAL PROPERTIES

LED	Viewing	Light	Effi-		
	Angle	Beam	ciency	cd/lm	Connector
CLL02x/CLU02x (LES10)	sim: 13	Spot	sim: 88 %	sim: 7.900	LEDiL: F15255_HEKLA-SOCKET-C
CXA/B 15xx	sim: 10	Spot	sim: 91 %	sim: 15.800	LEDiL: F15256_HEKLA-SOCKET-D
SLE G6 LES15	sim: 17	Spot	sim: 89 %	sim: 5.300	LEDiL: F15859_HEKLA-SOCKET-I
SLE G6 LES17	sim: 20	Spot	sim: 89 %	sim: 4.150	LEDiL: F15859_HEKLA-SOCKET-I

D

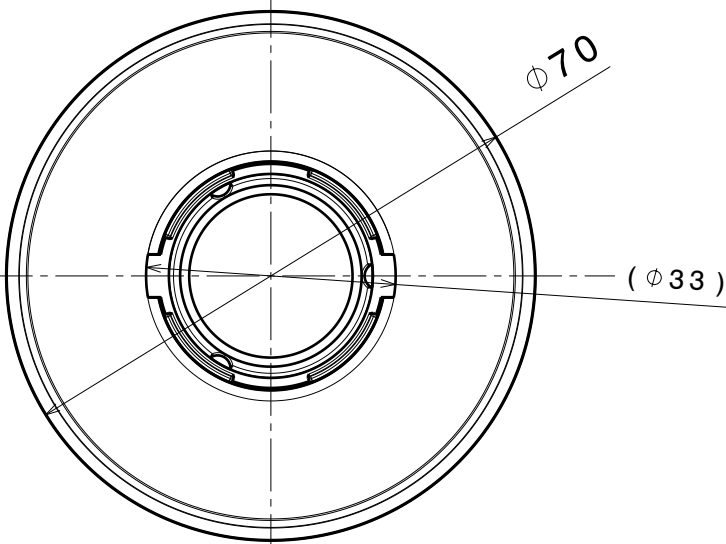
C

B

A

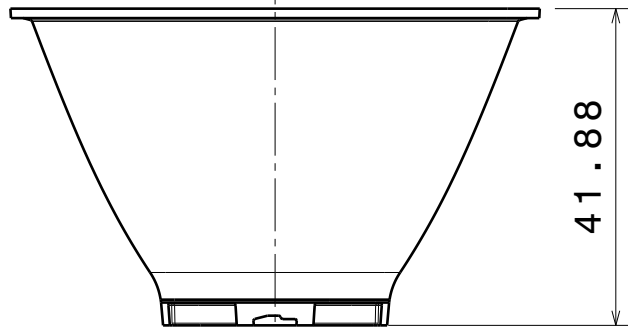
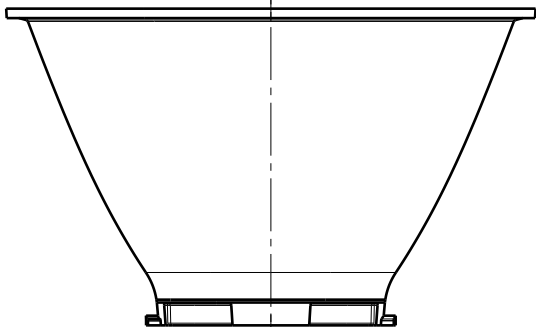
4

4



3

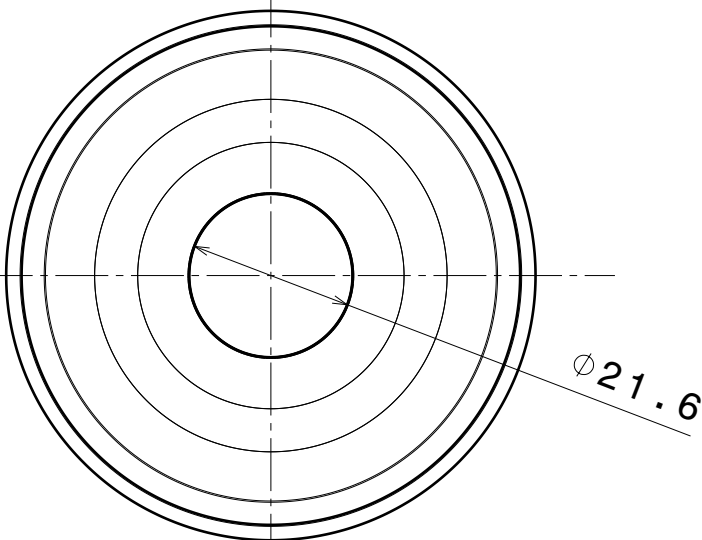
3



41.88

2

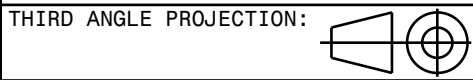
2



INDEX	PART NO	DESCRIPTION	MATERIAL	COLOUR
1	BARBARA-G2	BARBARA-G2 MECH MODEL	PC	metal

Tolerances if not otherwise shown
 According to DIN ISO 2768-1
 Linear measures:
 Up to 30mm class M, otherwise class C.
 According to DIN ISO 2768-2
 Form and position: class L

LEDiL LediL Oy
 Salorankatu 10
 FIN 24240 SALO
 Finland



DRAWING TITLE
Datasheet Reflector

This drawing is the property
 of LEDiL Oy. It may not be
 reproduced, copied or
 communicated without a written
 agreement with LEDiL Oy.

SIZE	PART NUMBER
A4	BARBARA-G2

SCALE	1:1	WEIGHT		SHEET	1/1
-------	-----	--------	--	-------	-----

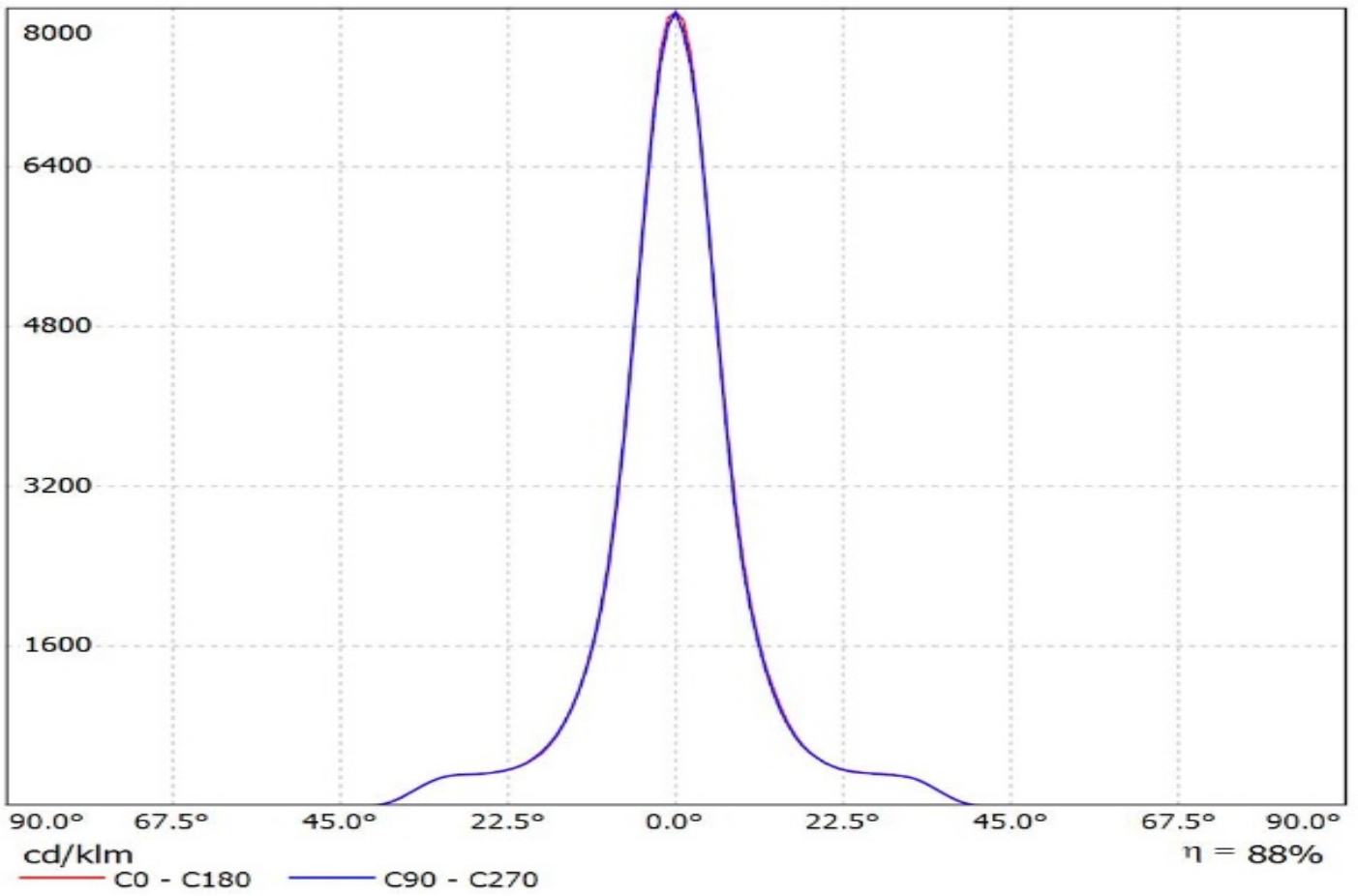
D

A

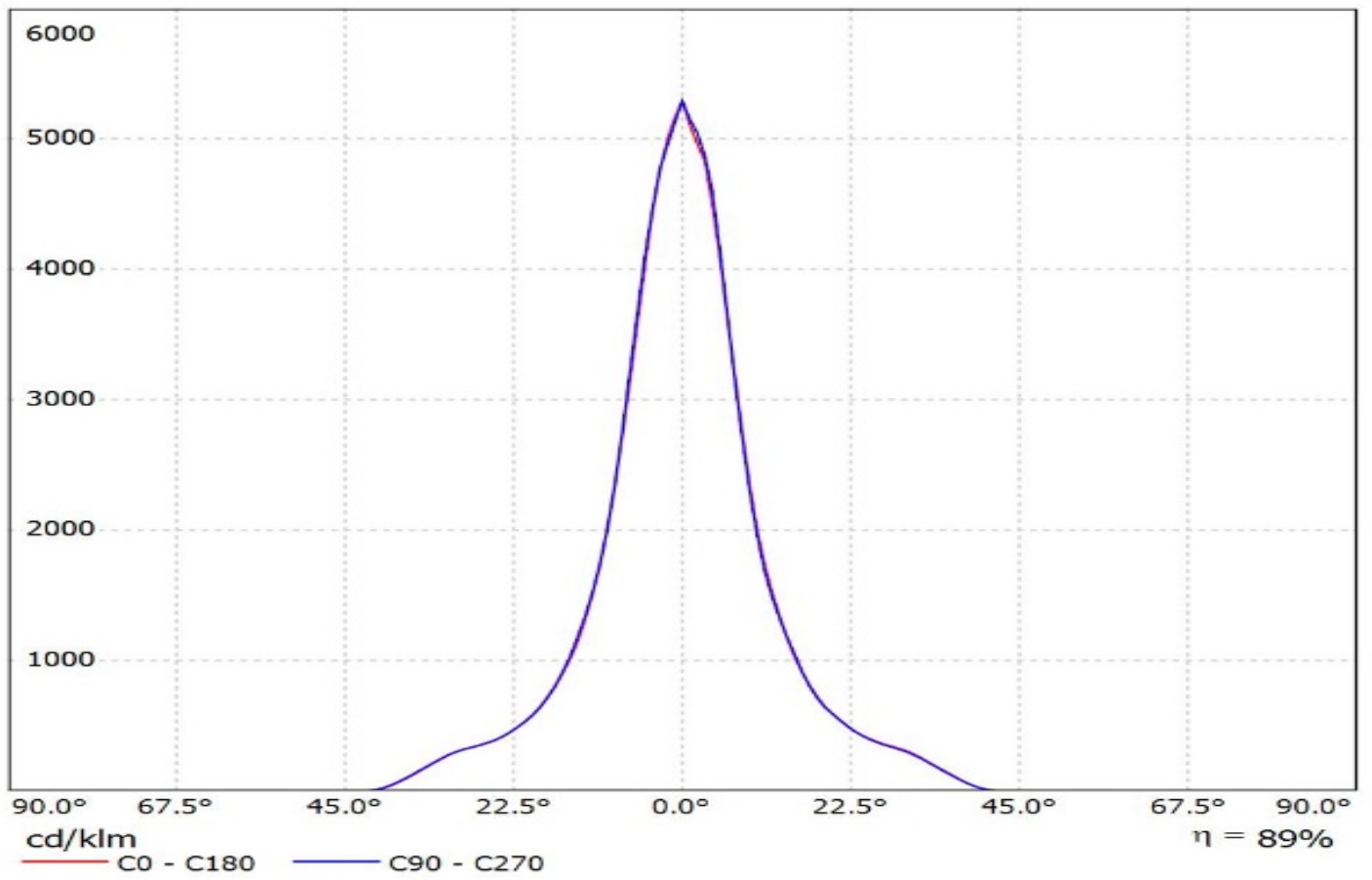
1

1

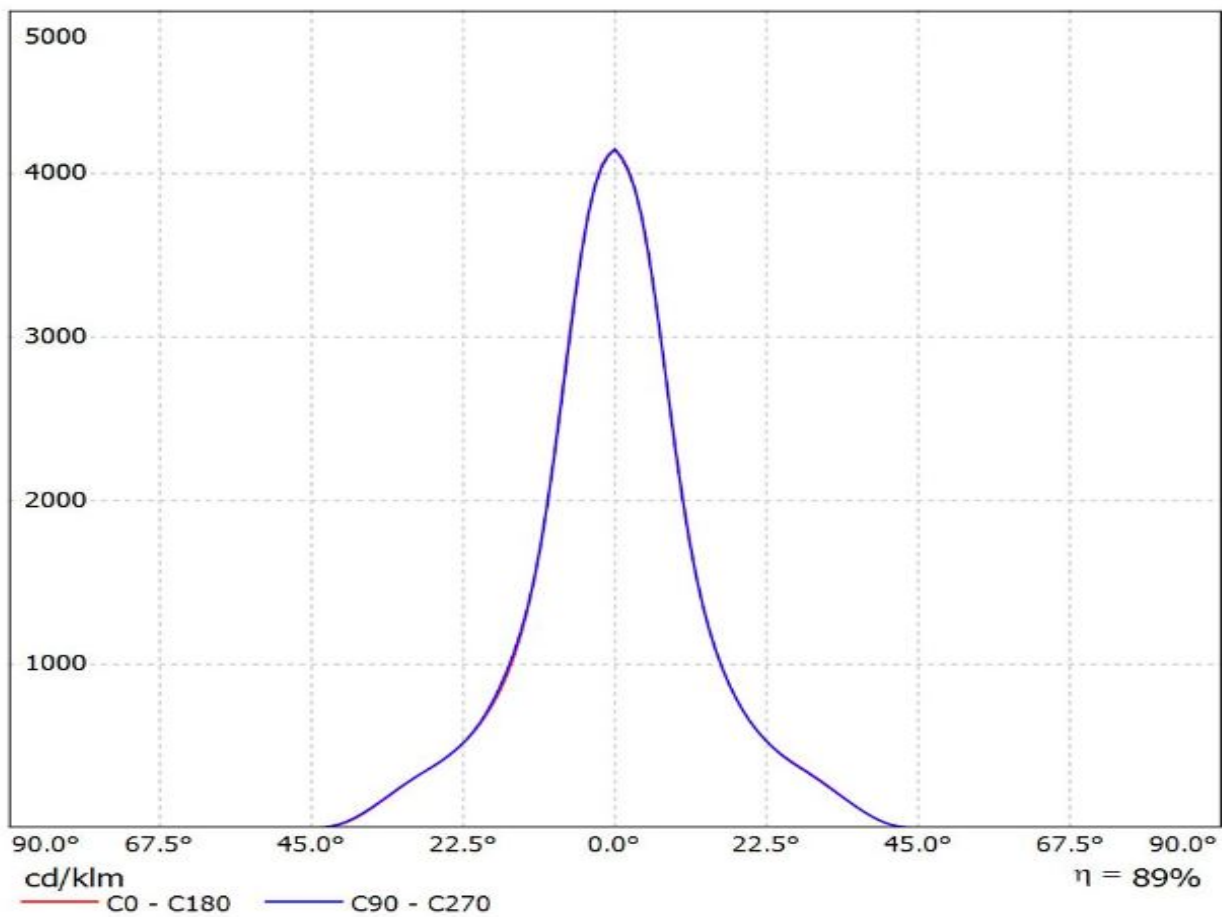
Luminaire: Ledil Oy F15402_BARBARA-G2-S_+_F15255_HEKLA-SOCKET-C_(CLU028)_SIMULATED
Lamps: 1 x Citizen CLU028-1204C4-303M2K1 + F15255_HEKLA-SOCKET-C



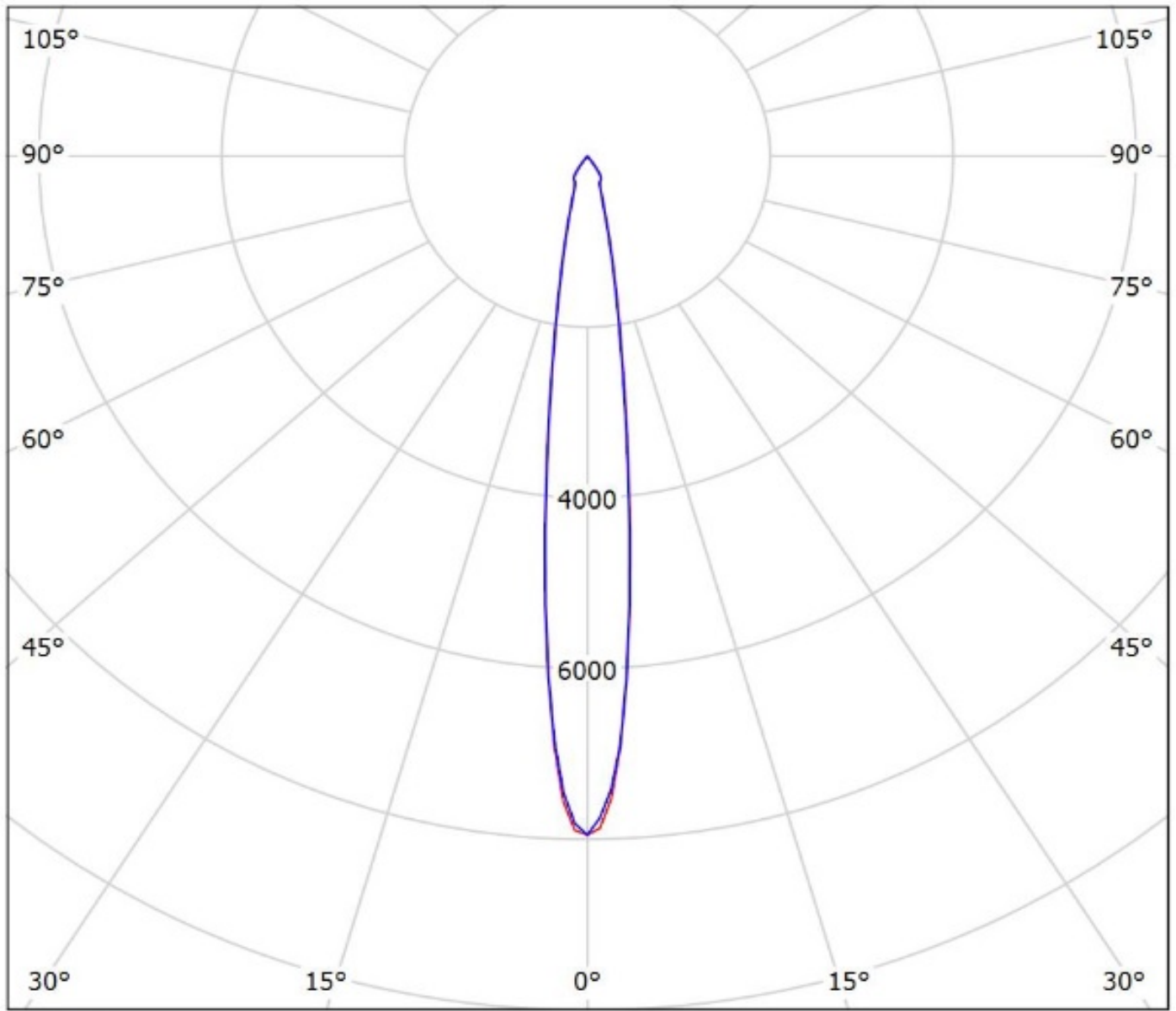
Luminaire: Ledil Oy PRELIMINARY_F15402_BARBARA-G2-S+_F15859_HEKLA-SOCKET-I_ (SLE_G6_LES15)_SIMULATED
Lamps: 1 x Tridonic SLE G6 LES15 + F15859_HEKLA-SOCKET-I



Luminaire: Ledil Oy F15402_BARBARA-G2-S+_F15859_HEKLA-SOCKET-I_TRIDONIC_SLE_G6_LES17_SIMULATED
Lamps: 1 x TRIDONIC SLE G6 LES17



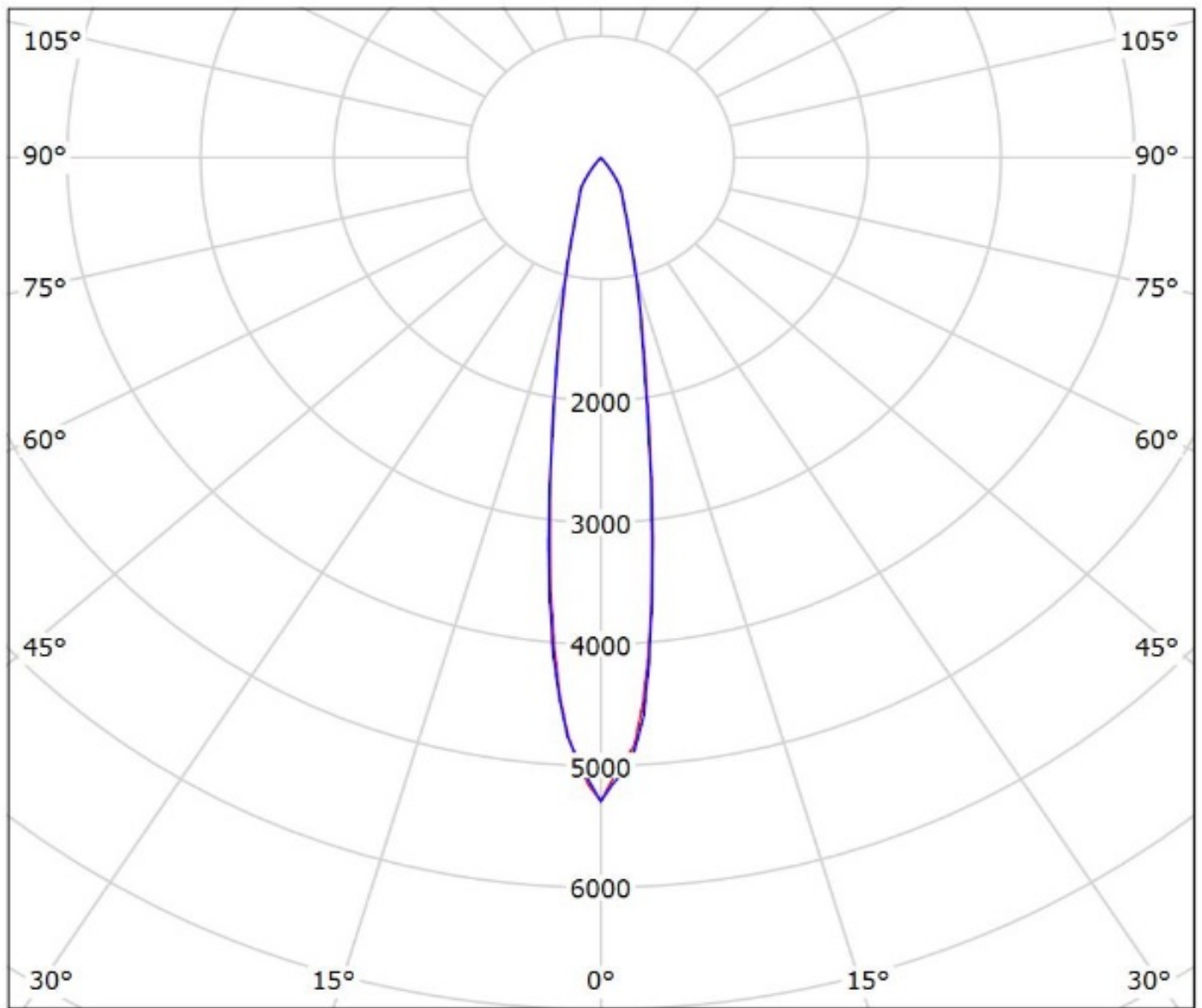
Luminaire: Ledil Oy F15402_BARBARA-G2-S_ + F15255_HEKLA-SOCKET-C_(CLU028)_SIMULATED
Lamps: 1 x Citizen CLU028-1204C4-303M2K1 + F15255_HEKLA-SOCKET-C



cd/klm
— C0 - C180 — C90 - C270

$\eta = 88\%$

Luminaire: Ledil Oy PRELIMINARY_F15402_BARBARA-G2-S_+_F15859_HEKLA-SOCKET-I_ (SLE_G6_LES15)_SIMULATED
Lamps: 1 x Tridonic SLE G6 LES15 + F15859_HEKLA-SOCKET-I

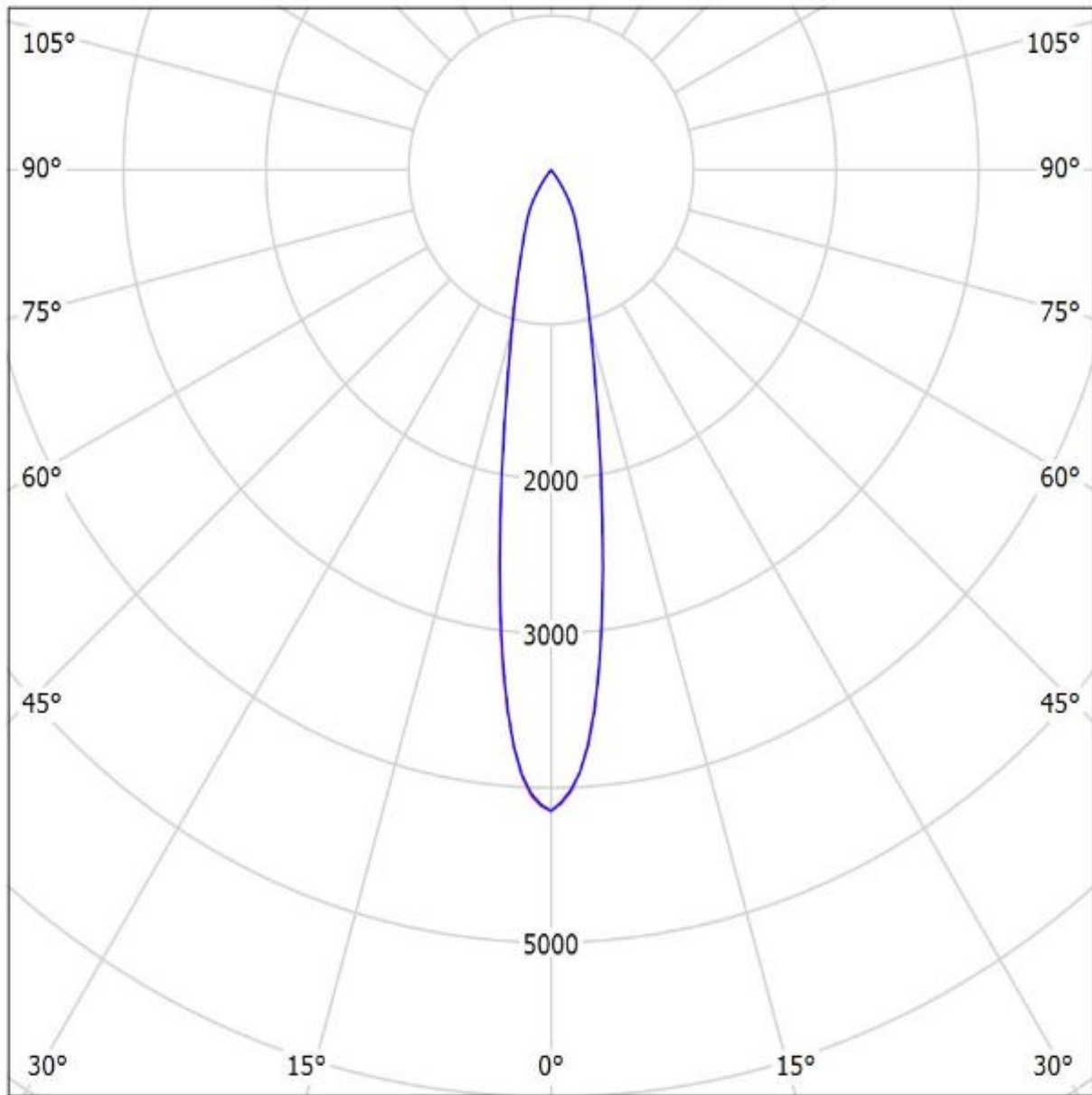


cd/klm

— C0 - C180 — C90 - C270

$\eta = 89\%$

Luminaire: Ledil Oy F15402_BARBARA-G2-S+_F15859_HEKLA-SOCKET-I_TRIDONIC_SLE_G6_LES17_SIMULATED
Lamps: 1 x TRIDONIC SLE G6 LES17



cd/klm

— C0 - C180 — C90 - C270

$\eta = 89\%$

NOTE: The typical divergence will be changed by different color, chip size and chip position tolerance. The typical total divergence is the full angle measured where the luminous intensity is half of the peak value.

GENERAL INFORMATION

- Product series especially designed & optimized for series of LEDs.
- Special care taken to make light distribution as uniform as possible.

Note! Due to use of high power COB's with this product, special attention to proper thermal design is highly recommended. LEDiL has no liability for direct, indirect or consecutive damages arising from the LEDiL products being used outside of the recommended temperature range.