

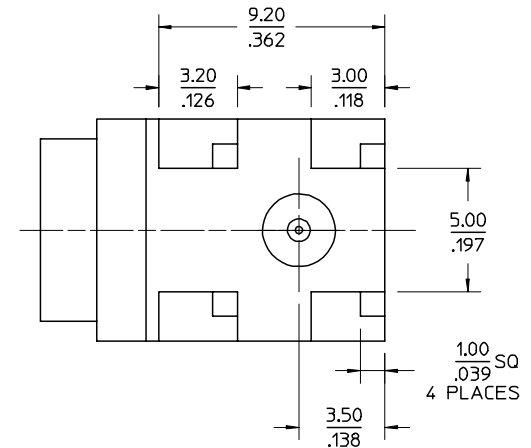
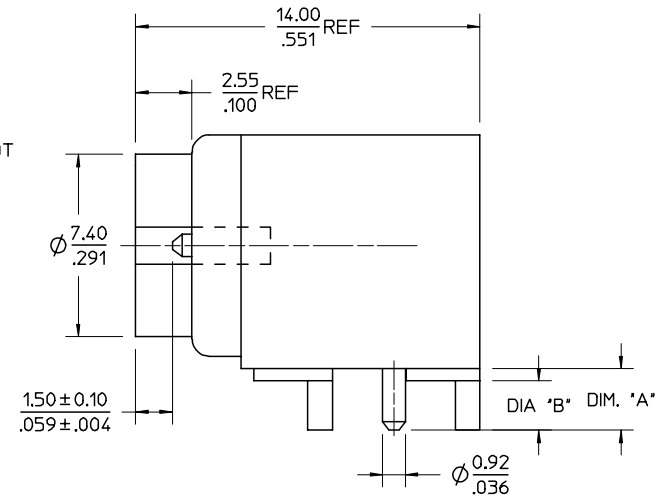
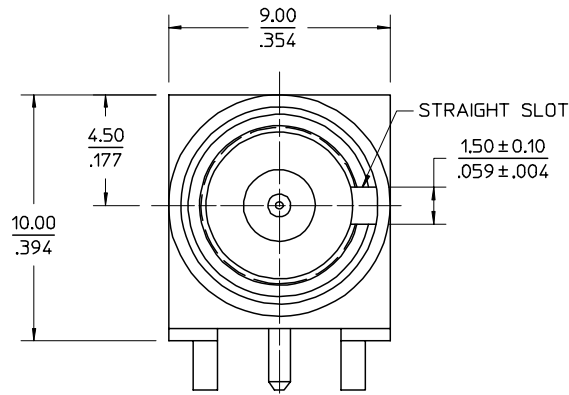
MATERIALS AND FINISHES

BODY
BRASS, TIN PLATED

COUPLING NUT
STAINLESS STEEL, PASSIVATED

CENTER CONTACT
PHOSPHOR BRONZE, GOLD PLATED

INSULATOR
TEFLON



73391-0293	.059±.008	1.5±0.20	.039±.008	1.0±0.20	REEL	NO
73391-0292	.010±.008	2.5±0.20	.079±.008	2.0±0.20	REEL	NO
73391-0291	.059±.008	1.5±0.20	.039±.008	1.0±0.20	REEL	YES
73391-0290	.010±.008	2.5±0.20	.079±.008	2.0±0.20	TRAY	NO
PART NUMBER	INCHES	MM	INCHES	MM	PACKAGE	STRAIGHT SLOT ON THREAD
	DIA "A" (BODY TO CONTACT)		DIA "B" STAND-OFF TO LEGS			

RELEASED TO WM
EC NO: WFE2005030383
DRW: NIELIN 2005/03/10
CHKD: 2005/03/18
APPR: MJIANG 2005/03/21

QUALITY SYMBOLS
▽=0
∇=0

GENERAL TOLERANCES (UNLESS SPECIFIED)		
	mm	INCH
4 PLACES	± ---	± ---
3 PLACES	± ---	± ---
2 PLACES	± 0.10	± ---
1 PLACE	± 0.2	± ---
ANGULAR ± 2 °		
DRAFT WHERE APPLICABLE MUST REMAIN WITHIN DIMENSIONS		

DIMENSION STYLE	
MM/IN	
DRAWN BY	DATE
LYNN	2001/08/14
CHECKED BY	DATE
JOHNSON	2001/08/14
APPROVED BY	DATE
MISEN	2001/08/14
MATERIAL NO.	
SEE TABLE	
SIZE	A3

SCALE	---	DESIGN UNITS	METRIC	THIRD ANGLE PROJECTION
TITLE		50 OHM SMA R/A PCB (FOR MOTOROLA'S PN:2880658Z) SMA-J/PCB		
MOLEX INCORPORATED		SHEET NO. 1 OF 02		
DOCUMENT NO. SD-73391-029		THIS DRAWING CONTAINS INFORMATION THAT IS PROPRIETARY TO MOLEX INCORPORATED AND SHOULD NOT BE USED WITHOUT WRITTEN PERMISSION		

10 9 8 7 6 5 4 3 2 1

F

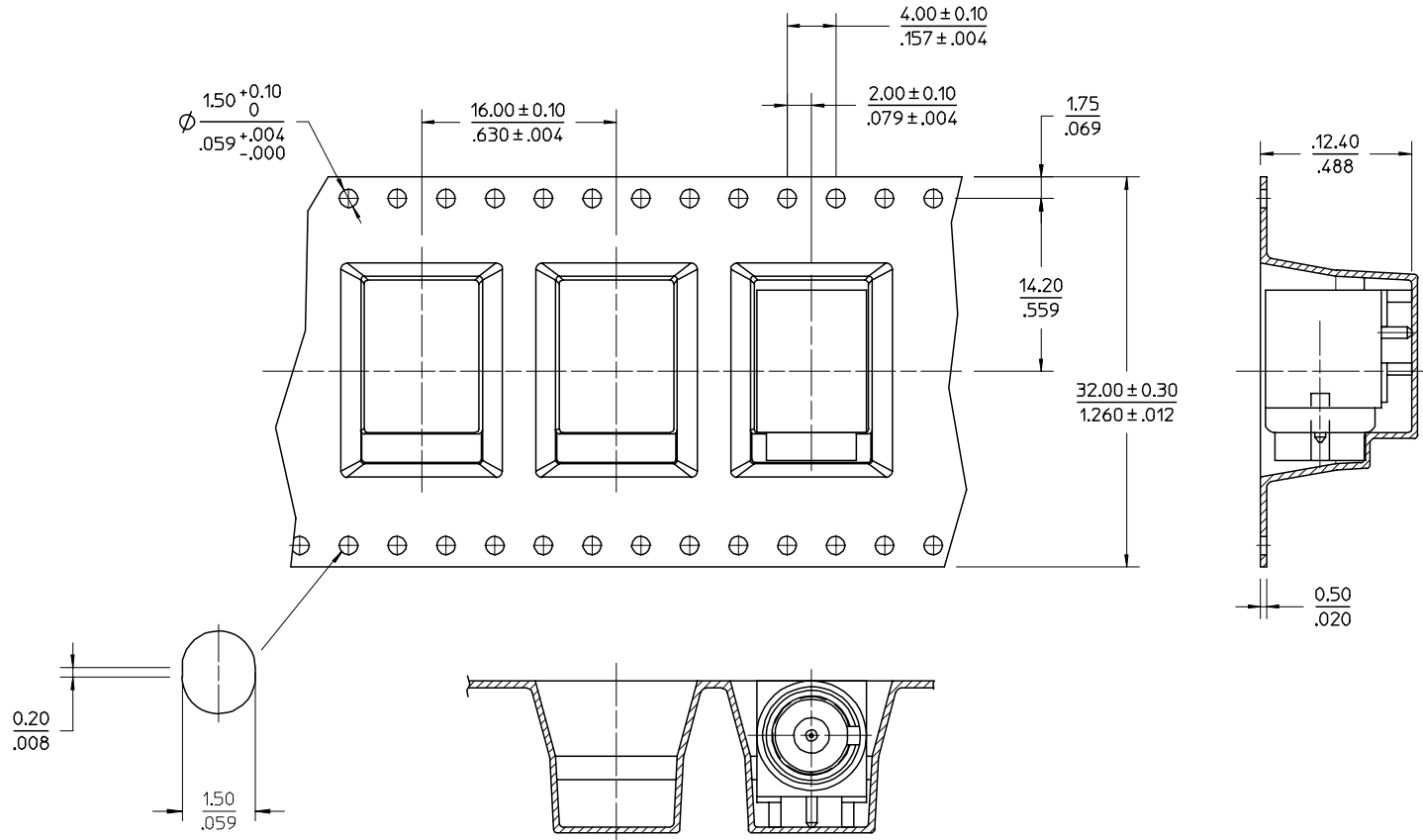
E

D

C

B

A



RELEASED TO WM EC NO: WPR2005030383 DRW: MELIN CHKD: 2005/03/18 APPR: MJIANG 2005/03/21	QUALITY SYMBOLS	GENERAL TOLERANCES (UNLESS SPECIFIED)	DIMENSION STYLE	SCALE	DESIGN UNITS	THIRD ANGLE PROJECTION															
	$\nabla = 0$ $\nabla C = 0$	<table border="1"> <thead> <tr> <th></th> <th>mm</th> <th>INCH</th> </tr> </thead> <tbody> <tr> <td>4 PLACES</td> <td>\pm ---</td> <td>\pm ---</td> </tr> <tr> <td>3 PLACES</td> <td>\pm ---</td> <td>\pm ---</td> </tr> <tr> <td>2 PLACES</td> <td>± 0.10</td> <td>\pm ---</td> </tr> <tr> <td>1 PLACE</td> <td>± 0.2</td> <td>\pm ---</td> </tr> </tbody> </table>		mm	INCH	4 PLACES	\pm ---	\pm ---	3 PLACES	\pm ---	\pm ---	2 PLACES	± 0.10	\pm ---	1 PLACE	± 0.2	\pm ---	MM/IN	---	METRIC	
		mm	INCH																		
	4 PLACES	\pm ---	\pm ---																		
3 PLACES	\pm ---	\pm ---																			
2 PLACES	± 0.10	\pm ---																			
1 PLACE	± 0.2	\pm ---																			
DESCRIPTION	DRAWN BY: L YNN CHECKED BY: JOHNSON APPROVED BY: MISEN DATE: 2001/08/14	DATE: 2001/08/14 DATE: 2001/08/14 DATE: 2001/08/14	TITLE	50 OHM SMA R/A PCB (FOR MOTOROLA'S PN:2880658Z) SMA-J/PCB																	
REV	MATERIAL NO. SEE SHEET 1 SIZE: A3	DRAFT WHERE APPLICABLE MUST REMAIN WITHIN DIMENSIONS	DOCUMENT NO. SD-73391-029	MOLEX INCORPORATED SHEET NO. 2 OF 02																	

9 8 7 6 5 4 3 2 1