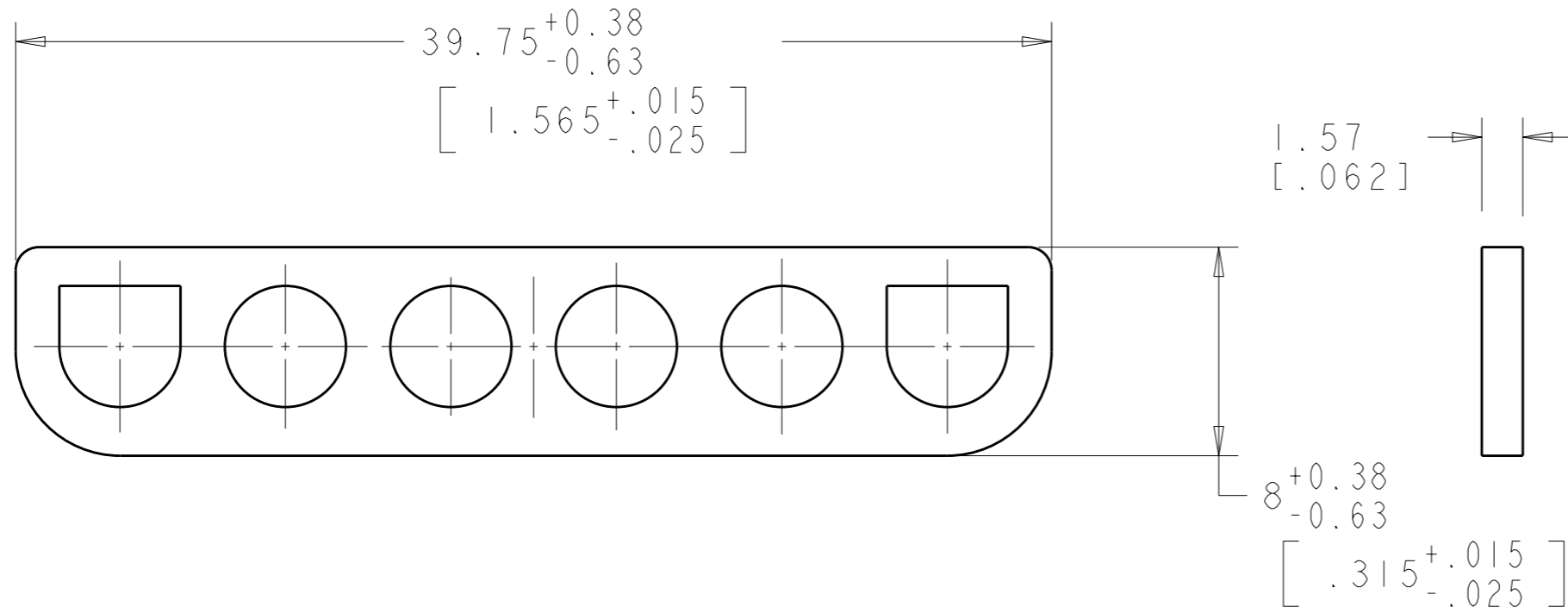
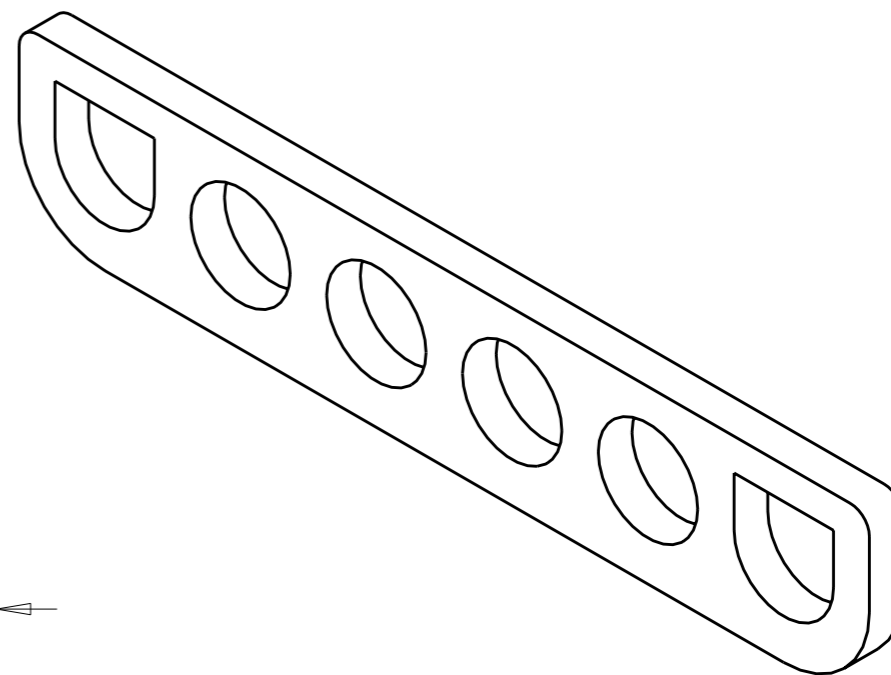


THIS DRAWING IS UNPUBLISHED. RELEASED FOR PUBLICATION 20
 © COPYRIGHT 20 BY TYCO ELECTRONICS CORPORATION. ALL RIGHTS RESERVED.

LOC	DIST	REVISIONS			
P	LTR	DESCRIPTION	DATE	DWN	APVD
CM	0	A	REVISED PER ECO-09-010459	30APR2009	HMR MS

1. MATERIAL: CLOSED CELL SILICON FOAM, BLACK
 2. SUPPLIED ON MYLAR FILM.



0.02 IN ³	2029269-1
VOLUME	PART NUMBER

METRIC

<small>THIS DRAWING IS A CONTROLLED DOCUMENT FOR TYCO ELECTRONICS CORPORATION IT IS SUBJECT TO CHANGE AND THE CONTROLLING ENGINEERING ORGANIZATION SHOULD BE CONTACTED FOR THE LATEST REVISION.</small>		DWN K. WHITAKER 10NOV2008 CHK D. COLEY 10NOV2008 APVD D. COLEY 10NOV2008		Tyco Electronics Harrisburg, PA 17105-3608	
DIMENSIONS: mm [INCHES]		TOLERANCES UNLESS OTHERWISE SPECIFIED: 0 PLC ±- 1 PLC ±- 2 PLC ±0.51 [.020] 3 PLC ±- 4 PLC ±- ANGLES ±-		NAME INTERFACIAL SEAL, 6 CIRCUIT, UNIVERSAL MATE-N-LOK(TM)	
MATERIAL - 1		FINISH -		PRODUCT SPEC - APPLICATION SPEC - WEIGHT -	
CUSTOMER DRAWING		SCALE 4:1		SHEET 1 OF 1 REV A	