

4

3

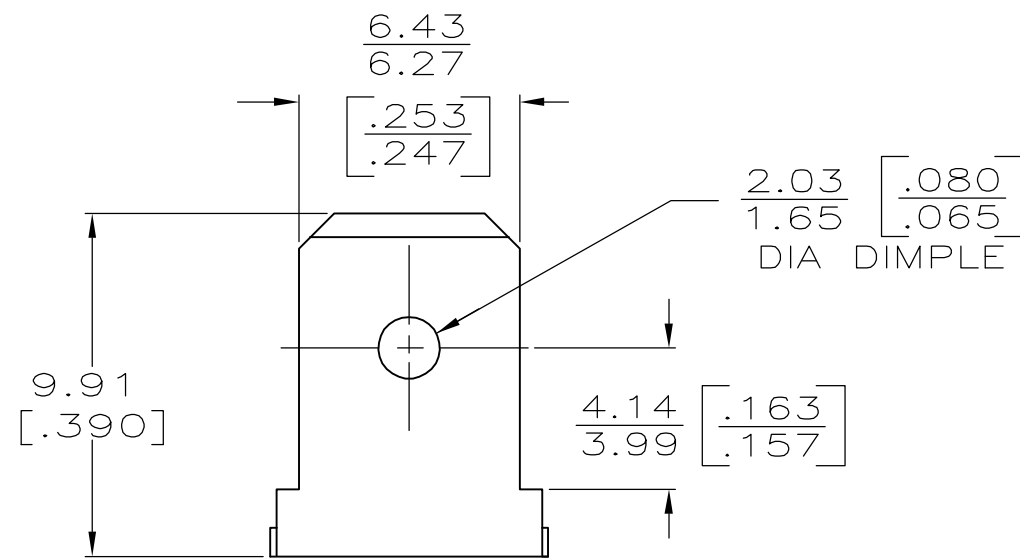
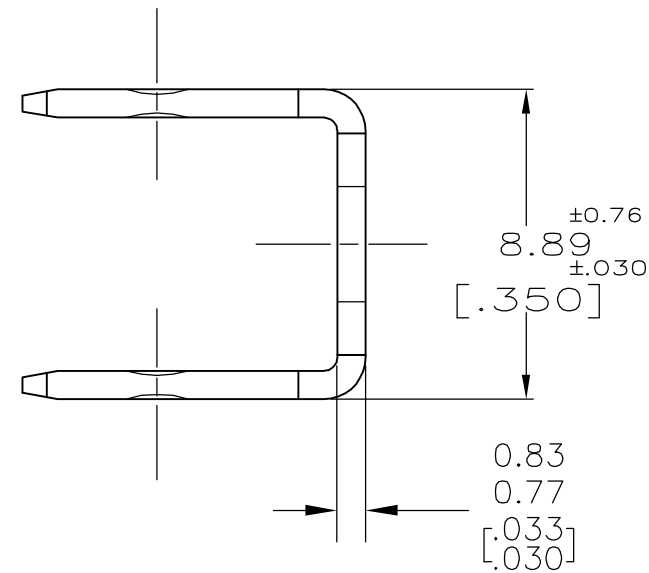
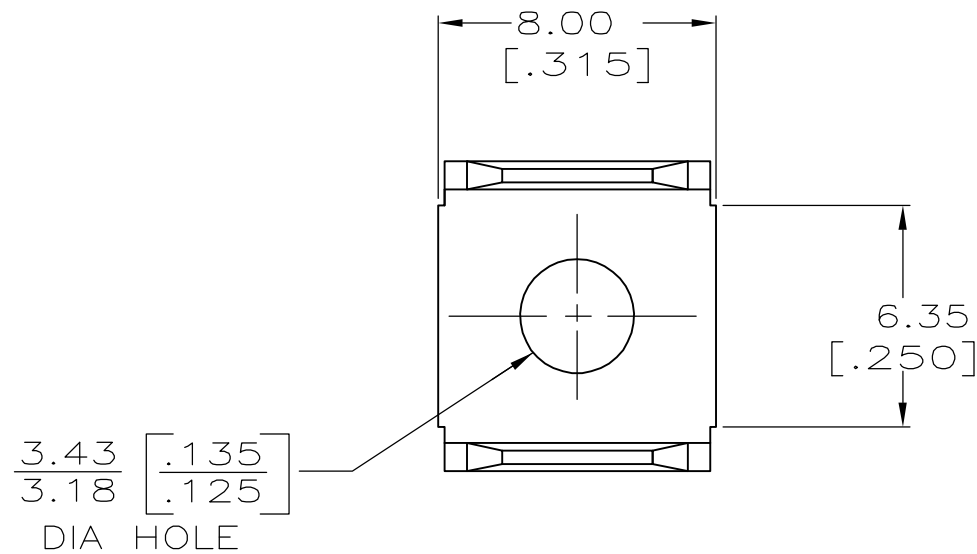
2

1

THIS DRAWING IS UNPUBLISHED. RELEASED FOR PUBLICATION
 © COPYRIGHT BY TYCO ELECTRONICS CORPORATION. ALL RIGHTS RESERVED.

LOC	DIST	REVISIONS					
AF	50	P	LTR	DESCRIPTION	DATE	DWN	APVD
			AG	REV PER ECR-05-017287	29MAR06	HMR	JR

1 SUPPLIED IN LOOSE PIECE



41480
PART NO

THIS DRAWING IS A CONTROLLED DOCUMENT.		DWN JR RUTH 12/2/91	Tyco Electronics Corporation Harrisburg, PA 17105-3608	
DIMENSIONS: mm [INCHES]		CHK MS FEHER 12/2/91		
TOLERANCES UNLESS OTHERWISE SPECIFIED:		APVD MEYERS 12/2/91	NAME	
0 PLC ± - 1 PLC ± - 2 PLC ± - 3 PLC ± 0.38 [.015] 4 PLC ± - ANGLES ± -		PRODUCT SPEC	TAB, FASTON, 6.35 [.250] SERIES	
MATERIAL 082 BRASS		FINISH TIN	APPLICATION SPEC	RESTRICTED TO
WEIGHT -		SIZE A3	CAGE CODE 00779	DRAWING NO C-41480
CUSTOMER DRAWING		SCALE 5:1	SHEET 1 of 1	REV AG