

ISL54225IRTZEVAL1Z Evaluation Board User Manual

Description

The ISL54225IRTZEVAL1Z evaluation board is designed to provide a quick and easy method for evaluating the ISL54225 USB Switch IC.

The ISL54225 device is a unique IC. To use this evaluation board properly requires a thorough knowledge of the operation of the IC. See the [ISL54225 datasheet](#) for an understanding of the functions and features of the device. Studying the device's truth-table along with its pin-out diagram on page 2 of the data sheet is the best way to get a quick understanding of how the part works.

The ISL54225IRTZEVAL1Z evaluation board is shown in Figure 1. The ISL54225 TDFN IC is soldered onto the center of the evaluation board and is designated as U1.

The evaluation board contains USB connectors, banana jacks, and toggle switches to allow the user to easily interface with the IC to evaluate its functions, features, and performance. For example, with the board properly powered and configured as shown in Figure 2, the user can control the logic pins with the toggle switches S1 (SEL) and S2 (\overline{OE}). These switches allow the user to switch between the two high-speed USB devices while connected to a single USB host (computer).

In a typical application, the ISL54225 dual SPDT device is used to select between two different USB transceiver sections of a media player. Logic control from a microprocessor determines which section to connect to the computer. The following sequence could be used to change channels:

1. A signal is sent to take the \overline{OE} pin High, which opens all switches. The off-isolation of the ISL54225 device allows the present active channel to properly disconnect from the computer.
2. The SEL pin is set to select the other USB channel.
3. The \overline{OE} pin is taken Low to close the switches, which makes the connection between the computer and the other USB section of the player.

This application note guides the user through configuring and using the ISL54225IRTZEVAL1Z evaluation board to evaluate the ISL54225 device.

Features

- Standard USB Connectors
- Banana Jacks for Power, Ground, V_{BUS} and Logic Connections
- Toggle Switches for Easy Control of Logic Pins
- Jumpers to Allow a USB Device to Get Its V_{BUS} Voltage from the Host Controller
- Convenient Test Points and Connections for Test Equipment

ISL54225IRTZEVAL1Z Evaluation Board

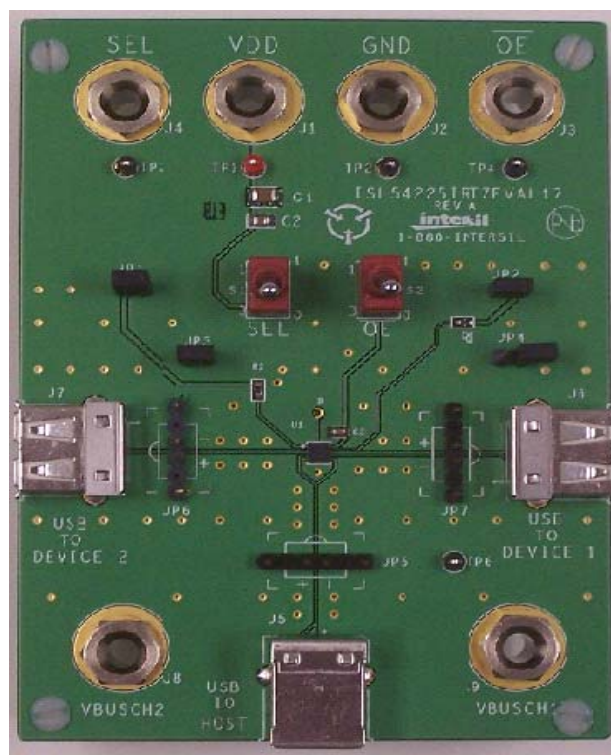


FIGURE 1. ISL54225IRTZEVAL1Z EVALUATION BOARD

Board Architecture/Layout

The basic layout of the evaluation board is as follows (see Figure 1 and “ISL54225IRTZEVAL1Z Board Schematic” on page 6).

- Power and Ground connections are at the banana jacks J1 and J2 at the top of the board.
- Logic connections, SEL and \overline{OE} , are at the top of the board at banana jacks J4 and J3. They can also be accessed by using the toggle switches S1 and S2, located in the upper center of the board. To use the toggle switches, jumpers JP1 and JP2 must be installed. To control the logic through the J4 and J3 banana jacks, the JP1 and JP2 jumpers must not be populated.
- The USB connector, J5 (USB TO HOST) located at the bottom of the board, provides a USB connection to an upstream host controller (Computer).
- USB connectors J6 (USB TO DEVICE 1) and J7 (USB TO DEVICE 2), located on the right and left sides of the board, provide USB connections to downstream USB devices.
- Banana jacks J8 (VBUSCH2) and J9 (VBUSCH1) provide V_{BUS} voltage for the USB devices. Optionally, V_{BUS} for a USB device can be connected to the host controller V_{BUS} through jumpers JP4 (Device 1) and JP3 (Device 2).
- The ISL54225 IC (U1) is located in the center of the board. The evaluation board has a Pin 1 indicator dot to show how the IC should be oriented on the evaluation board. The IC Pin 1 indicator dot should be aligned with the evaluation board Pin 1 indicator dot.

IC Power Supply

A DC power supply connected at banana jacks J1 (VDD) and J2 (GND) provides power to the ISL54225 IC. The IC requires a 2.7VDC to 5.25VDC power supply for proper operation. The power supply should be capable of delivering 100 μ A of current.

V_{BUS} Power Supply

A DC power supply connected at banana jacks J9 (VBUSCH1) and J8 (VBUSCH2) provides the V_{BUS} voltage required by the USB devices. The devices require a DC power supply in the range of 4.4V to 5.25V for proper operation. The power supply should be capable of delivering 100mA of current.

The J8 banana jack is connected to the VBUS pin of the J7 “A” type USB receptacle. The J9 banana jack is connected to the VBUS pin of the J6 “A” type receptacle.

V_{BUS} voltage can be provided from the USB host controller (computer) by installing a jumper at either JP3 or JP4.

With a jumper at JP4, the V_{BUS} voltage from J5 (USB TO HOST) USB connector gets routed to the J6 connector. With this jumper installed, no DC supply should be connected at the J9 (VBUSCH1) banana jack.

With a jumper at JP3, the V_{BUS} voltage from J5 (USB TO HOST) USB connector gets routed to the J7 connector. With this jumper installed, no DC supply should be connected at the J8 (VBUSCH2) banana jack.

Logic Control

The state of the ISL54225 device is determined by the voltage at the SEL pin and the \overline{OE} pin. Access to the SEL pin is through the banana jack J4 (SEL) or the toggle switch S1 (SEL). Access to the \overline{OE} pin is through the banana jack J3 (\overline{OE}) or the toggle switch S2 (\overline{OE}). To use the toggle switches to control the logic, jumpers should be installed at JP1 and JP2. Remove jumpers to control the logic through the banana jacks.

If SEL is driven Low (to ground), \overline{OE} = Low, and the signal voltage is in the range of 0V to 3.6V, the high-speed (HS) channel 1 switches will be ON. In this state, the USB host controller (computer) connected at J5 will be connected through to the USB device connected at J6 and data will be able to be transmitted between the computer and the device.

If SEL is driven High, \overline{OE} = Low, and the signal voltage is in the range of 0V to 3.6V, the high-speed (HS) channel 2 switches will be ON. In this state, the USB host controller (computer) connected at J5 will be connected through to the USB device connected at J7 and data will be able to be transmitted between the computer and the device.

If \overline{OE} = High, all switches are OFF. Neither device is connected through to the host controller.

In a typical application, the ISL54225 dual SPDT device is used to select between two different USB transceiver sections of a media player. Logic control from a microprocessor determines which section to connect to the computer. To change channels, the following sequence could be followed:

1. A signal from the microprocessor is sent to take the \overline{OE} pin High, which opens all switches. The off-isolation of the ISL54225 device allows the present active channel to properly disconnect from the computer.
2. The microprocessor drives the SEL pin to select the other USB channel.
3. The microprocessor drives the \overline{OE} pin Low, which closes the switches and makes the connection between the computer and the other USB section of the player.

USB Connections

A “B” type USB receptacle labeled “USB TO HOST” (J5) is located on the bottom of the board. This receptacle should be connected, using a standard USB cable, to the upstream USB host controller, which is usually a PC computer or hub. When this connection is made, the ISL54225 device will connect the computer through to the USB device determined by the voltage at the SEL logic control pin.

An “A” type USB receptacle labeled “USB TO DEVICE 1” (J6) is located on the right side of the board. A USB device can be plugged directly into this receptacle or through a standard USB cable.

An “A” type USB receptacle labeled “USB TO DEVICE 2” (J7) is located on the left side of the board. A USB device can be plugged directly into this receptacle or through a standard USB cable.

The USB switches are bi-directional, which allows the host (computer) and downstream USB device to both send and receive data.

Application Note AN1576

High-Speed Switches

The four HSx switches (HSD1-, HSD1+, HSD2-, HSD2+) are bi-directional switches that can pass signals up to 3.6V with a VDD supply voltage in the range of 2.7V to 5.25V.

When powered with a 2.7V supply, these switches have a nominal r_{ON} of 6.5Ω over the signal range of 0V to 400mV with a r_{ON} flatness of 0.3Ω . The r_{ON} matching between the HSDx- and HSDx+ switches over this signal range is only 0.06Ω ensuring minimal impact by the switches to USB high speed signal transitions. As the signal level increases, the r_{ON} switch resistance increases. At a signal level of 3.3V the switch resistance is nominally 12Ω .

The HSx switches are specifically designed to pass USB 2.0 high-speed (480Mbps) differential signals typically in the range of 0V to 400mV. They have low capacitance and high bandwidth to pass the USB high-speed signals with minimum edge and phase distortion and thus meet USB 2.0 high speed signal quality specifications.

The HSx switches can also pass USB full-speed signals (12Mbps) with minimal distortion and meet all the USB requirements for USB 2.0 full-speed signaling.

The maximum normal operating signal range for the HSx switches is from 0V to 3.6V. For normal operation, the signal voltage should not be allowed to exceed this voltage range or go below ground by more than -0.3V.

If a positive voltage $> 3.8V$ (typ) to 5.25V, such as the USB 5V V_{BUS} voltage, gets shorted to one or both of the COM+ and COM- pins or a negative voltage $< -0.5V$ (typ) to -5V gets shorted to one or both of the COM pins, the ISL54225 overprotection circuitry (OVP) is activated. OVP allows the device to detect the overvoltage condition and open the SPDT switches to prevent damage to the USB down-stream transceivers connected at the signal pins (HS1D-, HS1D+, HS2D-, HS2D+).

The OVP and power-off protection circuitry allows the COM pins (D-, D+) to be driven up to 5.25V, while the V_{DD} supply voltage is in

the range of 0V to 5.25V. In this condition the part draws $< 100\mu A$ of I_{COMx} and I_{DD} current and causes no stress to the IC. In addition, the SPDT switches are OFF and the fault voltage is isolated from the other side of the switch. See the [ISL54225 datasheet](#) for more information on the power-off and OVP functionality.

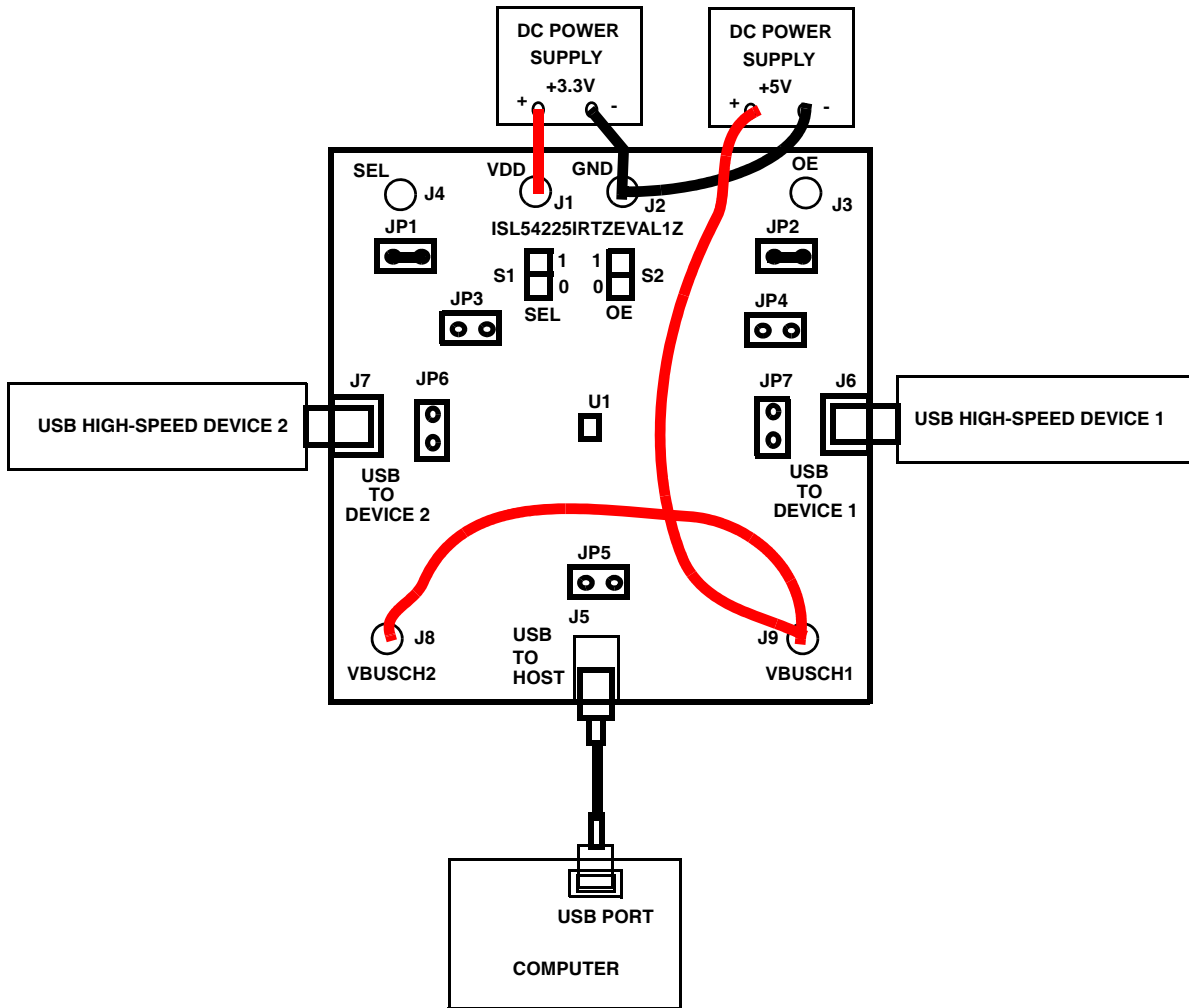
Board Component Definitions

Evaluation board components and their functions are shown in Table 1.

TABLE 1. BOARD COMPONENT DESCRIPTIONS

DESIGNATOR	DESCRIPTION
U1	ISL54225IRTZ IC
J5	"B" Type USB Receptacle
J6, J7	"A" Type USB Receptacle
J1	VDD Positive Connection
J2	VDD Negative Connection
J4	SEL Logic Control
J3	\overline{OE} Logic Control
J8	V_{BUS} Voltage for High-speed Device 2
J9	V_{BUS} Voltage for High-speed Device 1
S1	SEL Toggle Switch
S2	\overline{OE} Toggle Switch
JP5, JP6, JP7	D-/D+ Differential Probe Connection
JP3, JP4	Host Controller (Computer) V_{BUS} Jumper
JP1	Toggle Switch S1 (SEL) Jumper
JP2	Toggle Switch S2 (\overline{OE}) Jumper

Application Note AN1576



NOTE: For Device 1 to get VBUS from the computer through the J5 connector, disconnect the 5V supply from J9 and populate jumper JP4. For Device 2 to get VBUS from the computer through the J5 connector, disconnect the 5V supply from J8 and populate jumper JP3.

FIGURE 2. BASIC EVALUATION TEST SETUP BLOCK DIAGRAM

Using the ISL54225IRTZEVAL1Z Evaluation Board (see Figure 2)

Lab Equipment

The equipment, external supplies and signal sources needed to operate the board are listed below:

1. +2.7V to +5V DC Power Supply
2. +5V DC Power Supply
3. Two High-Speed USB devices (e.g., USB memory stick and MP3 player)
4. Computer with 2.0 High-Speed USB port
5. Standard USB cable

Initial Board Setup Procedure

1. Install jumpers at JP1 and JP2. Remove jumpers from JP3 and JP4.
2. Attach the main evaluation board to a DC power supply at J1 (VDD) and J2 (GND). Positive terminal at J1 and negative terminal at J2. The supply should be capable of delivering 2.7V to 5V and 100µA of current. Set the supply voltage to 3.3V.
3. Connect a DC power supply at J8 (VBUSHCH2) and J9 (VBUSCH1). Positive terminal at J8 and J9 and negative terminal at J2 (GND). The supply should be capable of delivering 5V and 100mA of current. Set the supply voltage to 5V. This supply provides 5V at the V_{BUS} pin of the USB "A" type connectors, J6 and J7.
4. Connect one high-speed USB device at USB connector, J6 and the other high-speed USB device at USB connector, J7. These connectors are located on the left and right sides of the evaluation board.
5. Drive the \overline{OE} control pin HIGH to open all switches of the ISL54225 IC by putting toggle switch S2 (OE) in the up position.
6. Connect the USB cable from host (computer) to the USB "B" type receptacle, J5 (USB TO HOST).

High-Speed Channel 1 Operation

1. Apply a logic LOW to the SEL pin by putting toggle switch S1 (SEL) in the down position.
2. Apply a logic LOW to the \overline{OE} pin by putting toggle switch S2 (OE) in the down position.

3. You should now be able to send and receive data between the computer and the USB Device 1, connected at J6.
4. To disconnect the USB Device 1 from the computer, take the \overline{OE} pin HIGH by putting toggle switch, S2 (\overline{OE}) in the up position.

High-Speed Channel 2 Operation

1. Apply a logic HIGH to the SEL pin by putting toggle switch, S1 (SEL) in the up position.
2. Apply a logic LOW to the \overline{OE} pin putting toggle switch, S2 (\overline{OE}) in the down position.
3. You should now be able to send and receive data between the computer and USB Device 2 connected at J7.

Test Points

The board has various test points to allow the user to connect probes to make measurements. The test points are described in Table 2.

TABLE 2. TEST POINTS

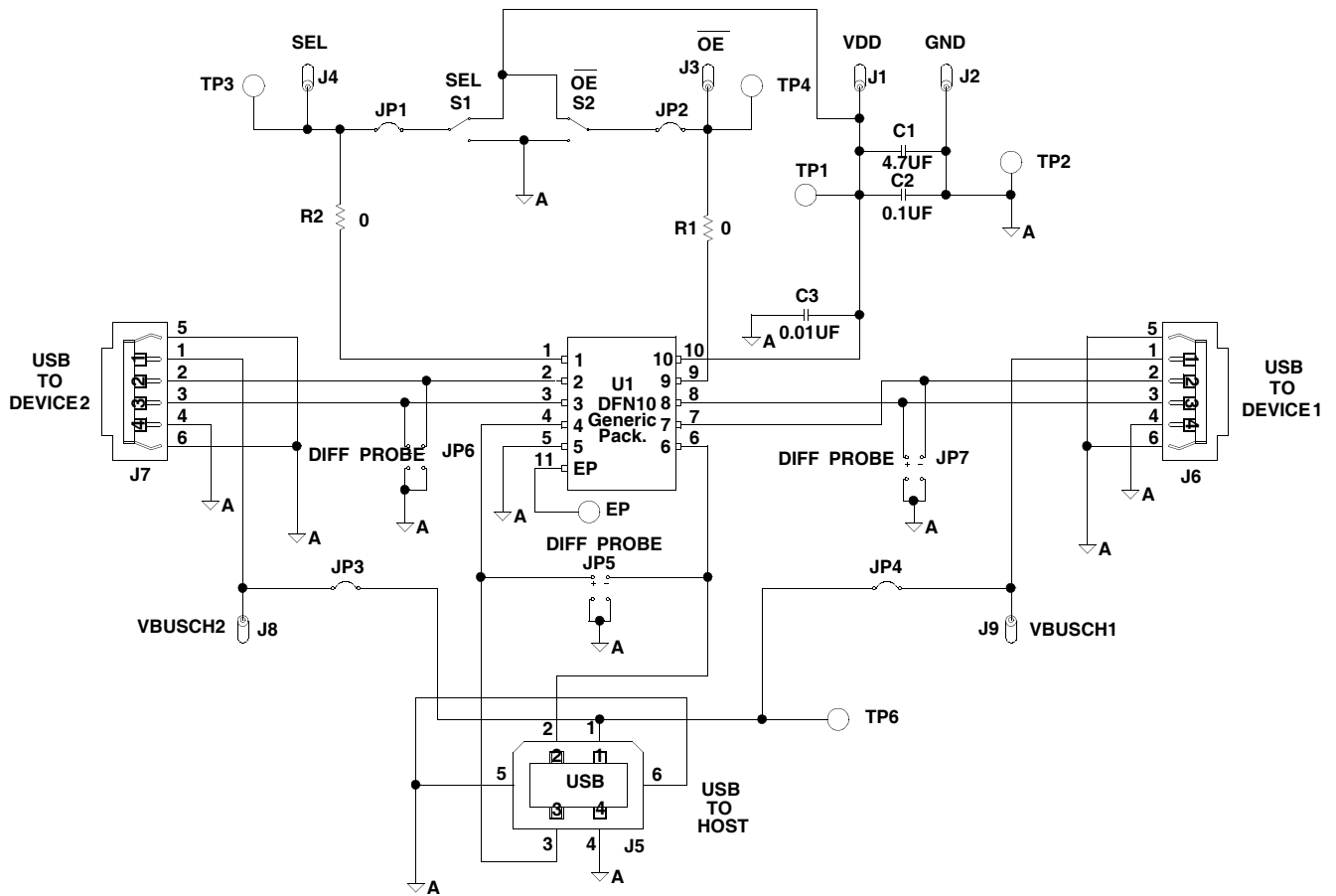
DESIGNATOR	DESCRIPTION
TP1	V _{DD} test point
TP2	Ground test point
TP3	SEL test point
TP4	\overline{OE} test point
TP6	VBUS from Pin 1 of Connector J5 test point
JP5	D-/D+ differential probe connection; COM side of switch
JP7	D-/D+ differential probe connection; Device 1 side of switch
JP6	D-/D+ differential probe connection; Device 2 side of switch

You can observe the D- and D+ USB signal of Channel 1 on an oscilloscope or other test equipment by connecting a differential probe at JP7.

You can observe the D- and D+ USB signal of Channel 2 on an oscilloscope or other test equipment by connecting a differential probe at JP6.

You can observe the D- and D+ USB signal at the COM side of the switch on an oscilloscope or other test equipment by connecting a differential probe at JP5.

ISL54225IRTZEVAL1Z Board Schematic



Intersil Corporation reserves the right to make changes in circuit design, software and/or specifications at any time without notice. Accordingly, the reader is cautioned to verify that the Application Note or Technical Brief is current before proceeding.

For information regarding Intersil Corporation and its products, see www.intersil.com