

# Customer Information Sheet

DRAWING No.: M80-928XXXX

SHEET 2 OF 2

IF IN DOUBT - ASK

©

NOT TO SCALE

THIRD ANGLE PROJECTION

ALL DIMENSIONS IN mm

**SPECIFICATONS:**

**MATERIAL:**  
 MOULDING = G-F PPS, UL94V-0, BLACK  
 CONTACTS = PHOSPHOR BRONZE  
 LATCHES = BERYLLIUM COPPER

**FINISH:**  
**CONTACTS:**  
 22 = 0.75µ GOLD ON CONTACT AREA  
       3µ 90/10 TIN/LEAD ON TAILS  
 45 = 0.75µ GOLD  
 42 = 0.75µ GOLD ON CONTACT AREA  
       3.0µ 100% TIN ON TAILS

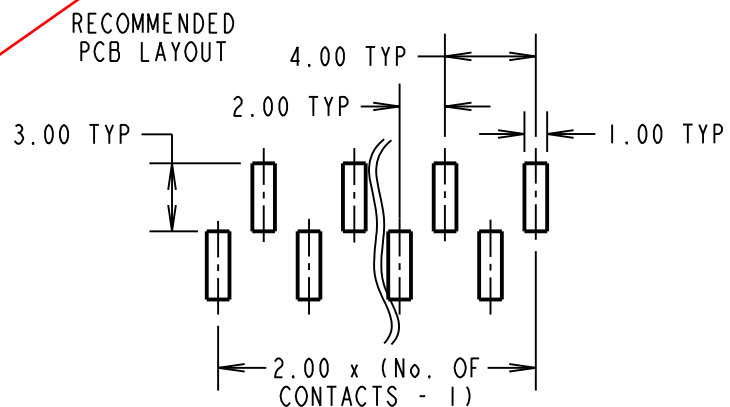
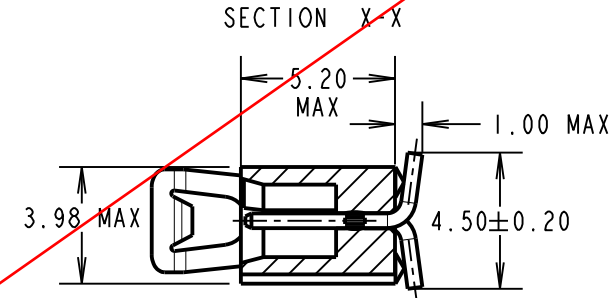
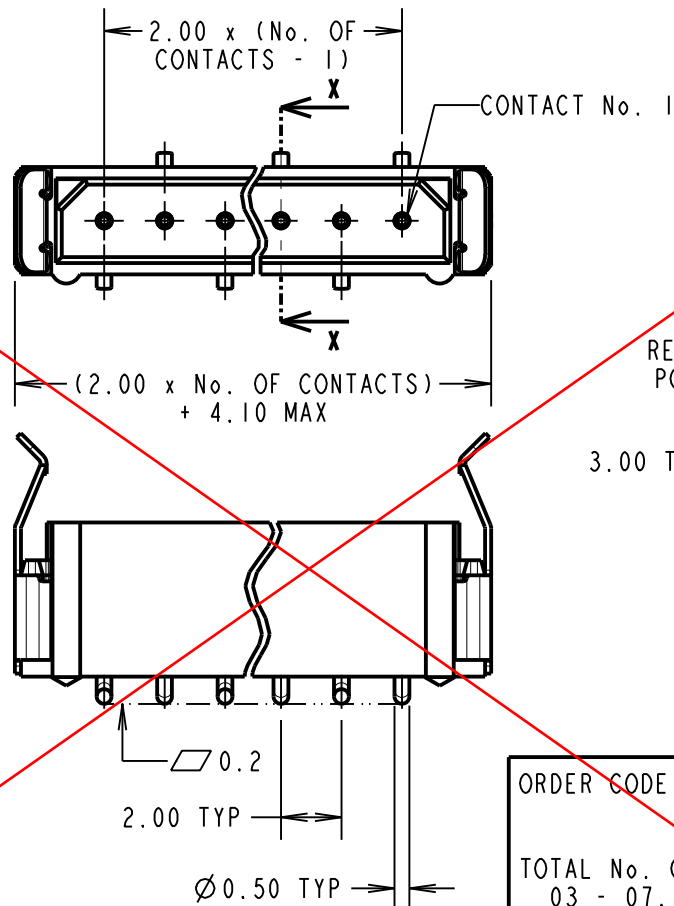
ALL OVER 1.27µ NICKEL  
 LATCH = 1.25µ NICKEL

**ELECTRICAL:**  
 CURRENT RATING (25°C) = 3.0A MAX.  
 CURRENT RATING (85°C) = 2.2A MAX.  
 WORKING VOLTAGE = 800V AC/DC  
 VOLTAGE PROOF = 1200V AC/DC

**CONTACT RESISTANCE**  
 (INITIAL) = 20 mΩ MAX.  
 (AFTER CONDITIONING) = 25 mΩ MAX.  
**INSULATION RESISTANCE**  
 (INITIAL) = 1000 MΩ MIN.  
 (AFTER CONDITIONING) = 100 MΩ MIN.

**MECHANICAL:**  
 DURABILITY = 500 OPERATIONS  
**ENVIRONMENTAL:**  
 TEMPERATURE RANGE = -55°C TO +125°C

**PACKING:**  
 TUBE  
 FOR COMPLETE SPECIFICATION, SEE COMPONENT SPECIFICATION C005XX (LATEST ISSUE)



**OBSOLETE**

ORDER CODE:  
**M80-928XXXX**  
 TOTAL No. OF CONTACTS  
 03 - 07, 17, 22  
 FINISH:  
 22 = SELECTIVE GOLD + TIN/LEAD  
 45 = GOLD  
 42 = SELECTIVE GOLD + 100% TIN

MGP	3	28.10.13	12232
NAME	ISS.	DATE	C/NOTE
APPROVED: MGP			
CHECKED: SF			
DRAWN:		R. ADDE	
CUSTOMER REF.:			
ASSEMBLY DRG:			

**HARWIN**

www.harwin.com  
 technical@harwin.com

THIS DRAWING AND ANY INFORMATION OR DESCRIPTIVE MATTER SET OUT HEREON ARE CONFIDENTIAL AND COPYRIGHT PROPERTY OF THE HARWIN GROUP AND MUST NOT BE DISCLOSED, LOANED, COPIED OR USED FOR MANUFACTURING, TENDERING OR FOR ANY OTHER PURPOSE WITHOUT THEIR WRITTEN PERMISSION.

**TOLERANCES**  
 X. = ±1mm  
 X.X = ±0.25mm  
 X.XX = ±0.10mm  
 X.XXX = ±0.01mm  
 ANGLES = ±5°  
 UNLESS STATED

**MATERIAL:**  
 SEE ABOVE  
**FINISH:**  
 SEE ABOVE  
**S/AREA:**  
 mm<sup>2</sup>

**TITLE:**  
 DATAMATE L-TEK  
 MALE SIL VERTICAL SMT  
 ASSEMBLY - LATCHED  
**DRAWING NUMBER:**  
**M80-928XXXX**  
 SHT 2 OF 2