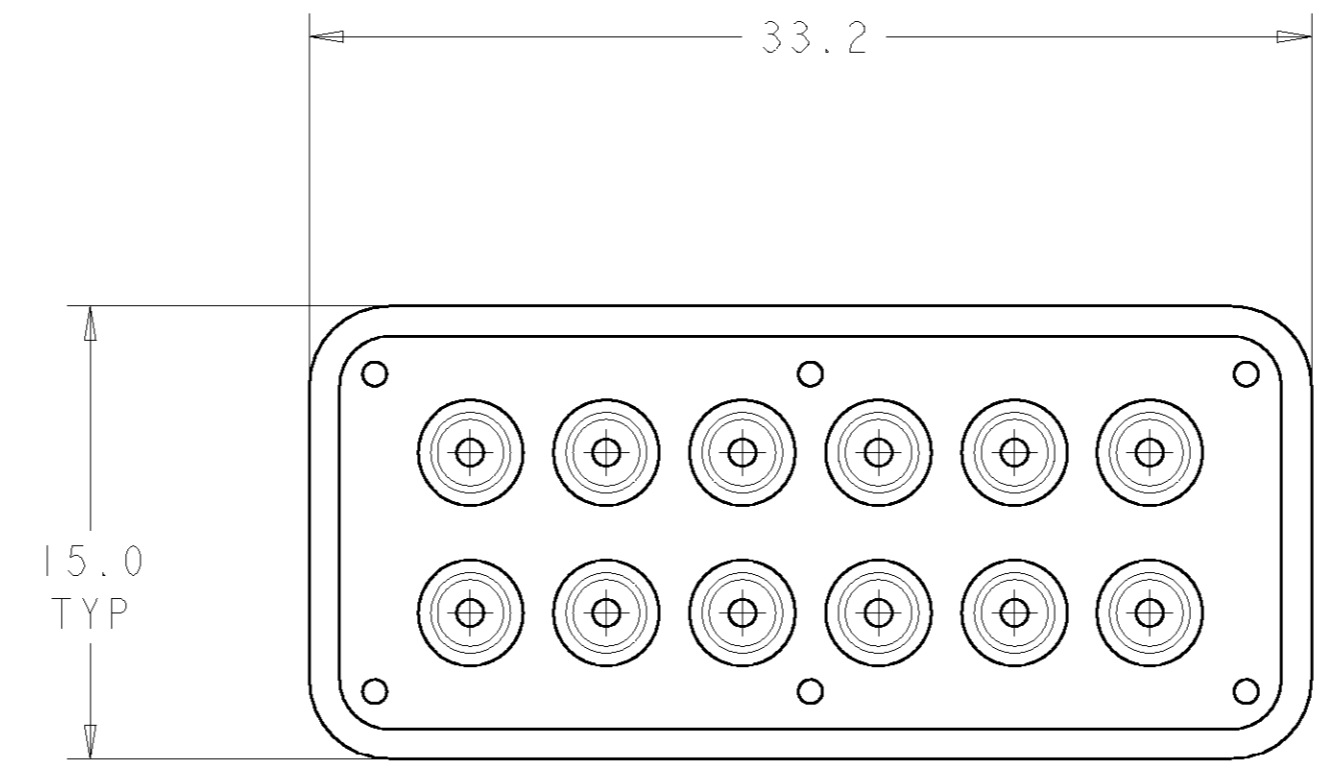
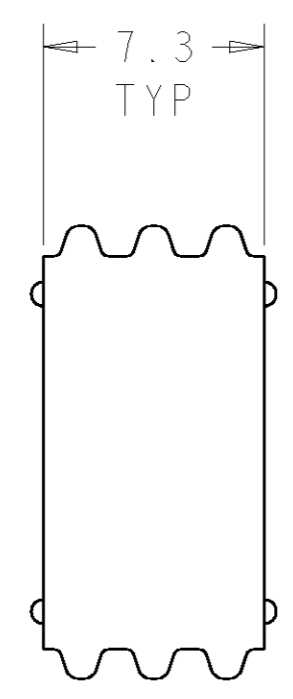


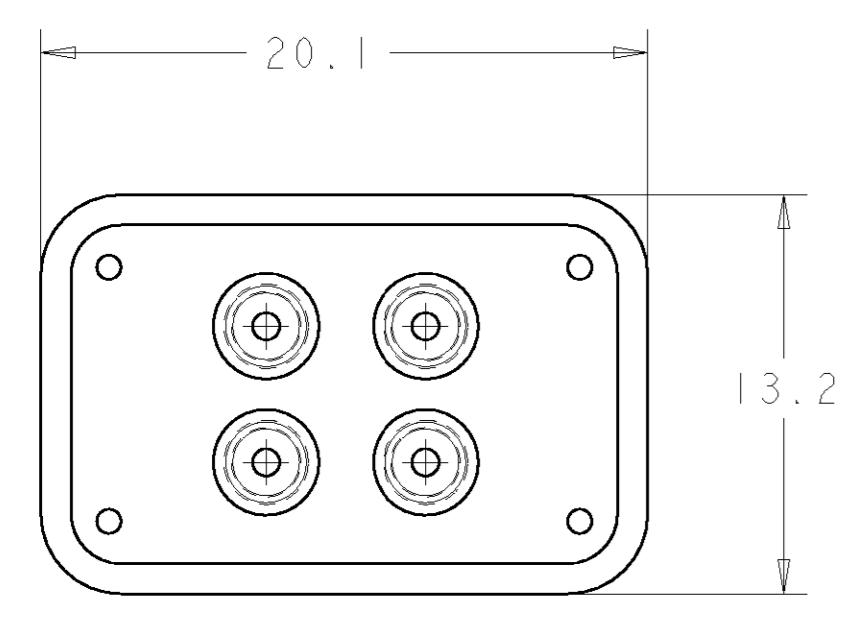
THIS DRAWING IS UNPUBLISHED. RELEASED FOR PUBLICATION 20  
 © COPYRIGHT 20 BY TYCO ELECTRONICS CORPORATION. ALL RIGHTS RESERVED.

| LOC | DIST | REVISIONS |     |                               |           |     |      |
|-----|------|-----------|-----|-------------------------------|-----------|-----|------|
| GE  | 00   | P         | LTR | DESCRIPTION                   | DATE      | DWN | APVD |
|     |      | 1         |     | REL CUST DWG; EC OK40-0151-04 | 07MAY2004 | WH  | JP   |
|     |      | 2         |     | REV PER EC OK40-0157-04       | 14MAY2004 | WH  | JP   |
|     |      | A         |     | REV PER EC OK40-0343-04       | 28SEP2004 | WH  | JP   |

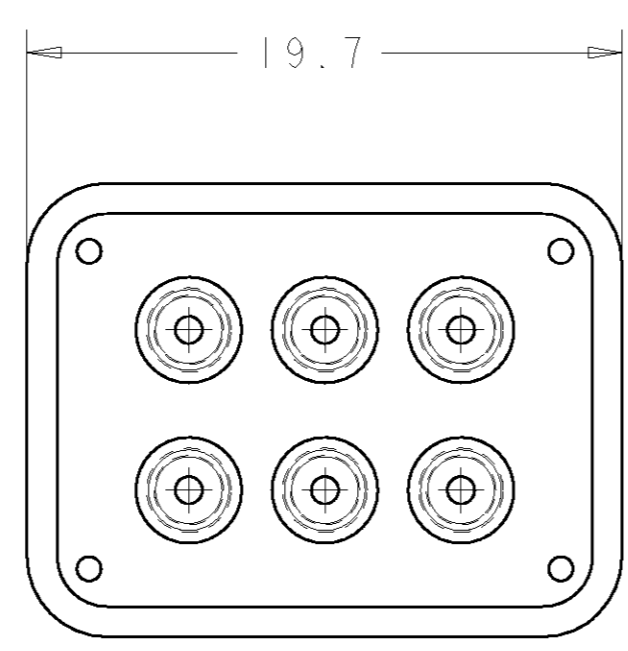
- MATERIAL:  
SILICONE RUBBER,  
COLOR: SEE TABLE
- RECOMMENDED WIRE DIAMETER  
RANGE IS 1.30 TO 2.54mm.



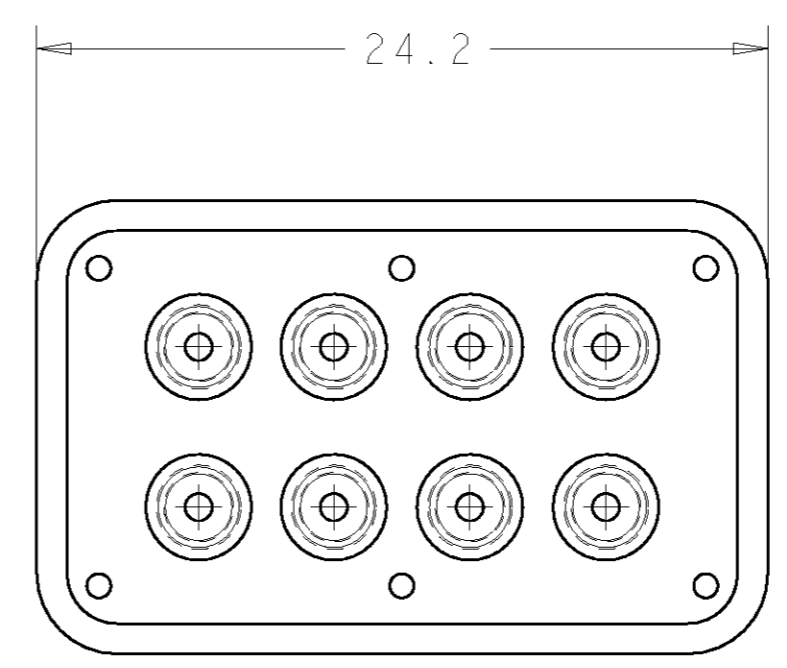
776530-5



776530-1



776530-2



776530-3

| COLOR      | DESCRIPTION | PART NUMBER |
|------------|-------------|-------------|
| ORANGE     | 12 POSN     | 776530-5    |
| ORANGE     | 8 POSN      | 776530-3    |
| LIGHT BLUE | 6 POSN      | 776530-2    |
| ORANGE     | 4 POSN      | 776530-1    |

|                                                                                                                                                                                                                                   |                                                                                                                           |                                                                                                          |                                                                                    |
|-----------------------------------------------------------------------------------------------------------------------------------------------------------------------------------------------------------------------------------|---------------------------------------------------------------------------------------------------------------------------|----------------------------------------------------------------------------------------------------------|------------------------------------------------------------------------------------|
| <small>THIS DRAWING IS A CONTROLLED DOCUMENT FOR TYCO ELECTRONICS CORPORATION<br/>         IT IS SUBJECT TO CHANGE AND THE CONTROLLING ENGINEERING ORGANIZATION<br/>         SHOULD BE CONTACTED FOR THE LATEST REVISION.</small> |                                                                                                                           | DWN <u>W. HOELSCHER</u> 07MAY2004<br>CHK <u>J. PATTERSON</u> 07MAY2004<br>APVD <u>D. KLEIN</u> 07MAY2004 | <b>tyco</b><br><b>Electronics</b><br>Tyco Electronics<br>Harrisburg, PA 17105-3608 |
| DIMENSIONS:<br>MM<br>                                                                                                                                                                                                             | TOLERANCES UNLESS<br>OTHERWISE SPECIFIED:<br>0 PLC ±<br>1 PLC ±0.2<br>2 PLC ±<br>3 PLC ±<br>4 PLC ±<br>ANGLES ±<br>FINISH | NAME<br>WIRE SEAL, DUAL ROW,<br>REDUCED DIA,<br>AMPSEAL 16                                               | SIZE CAGE CODE DRAWING NO RESTRICTED TO<br>A2 00779 C-776530 -                     |
| MATERIAL                                                                                                                                                                                                                          |                                                                                                                           | PRODUCT SPEC                                                                                             | SCALE 4.1 SHEET 1 OF 1 REV A                                                       |
|                                                                                                                                                                                                                                   |                                                                                                                           | APPLICATION SPEC                                                                                         |                                                                                    |
|                                                                                                                                                                                                                                   |                                                                                                                           | WEIGHT                                                                                                   |                                                                                    |
|                                                                                                                                                                                                                                   |                                                                                                                           | CUSTOMER DRAWING                                                                                         |                                                                                    |