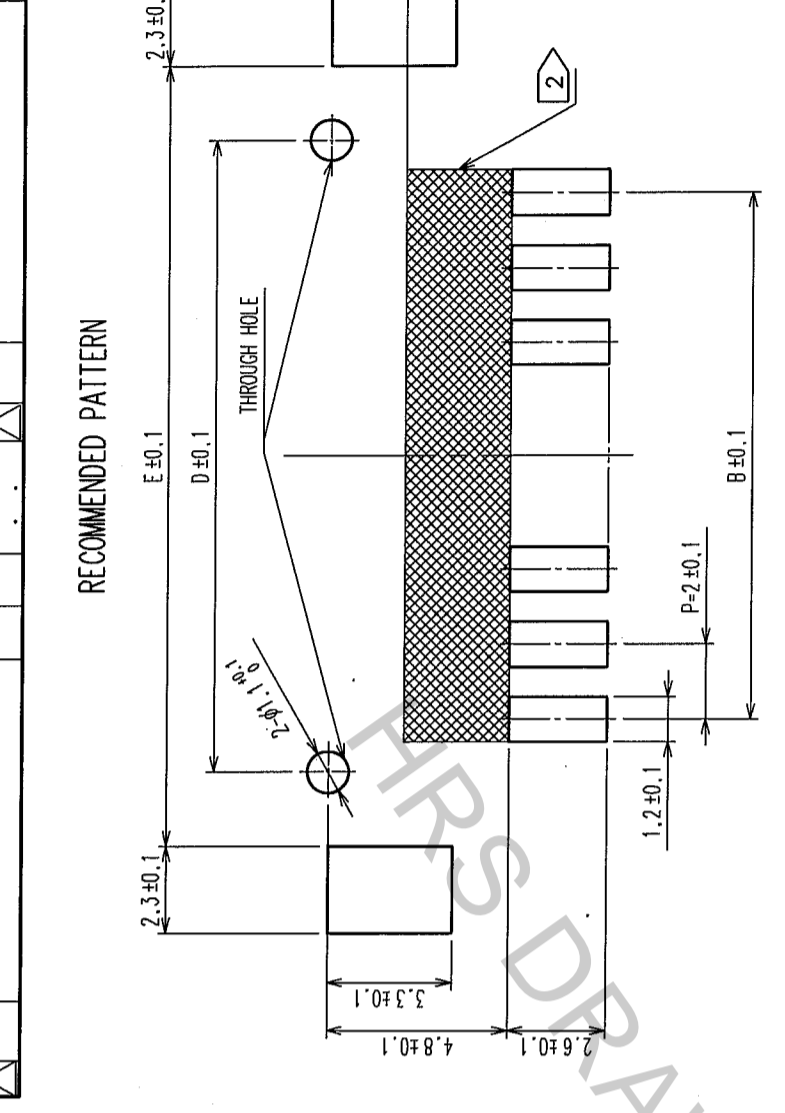
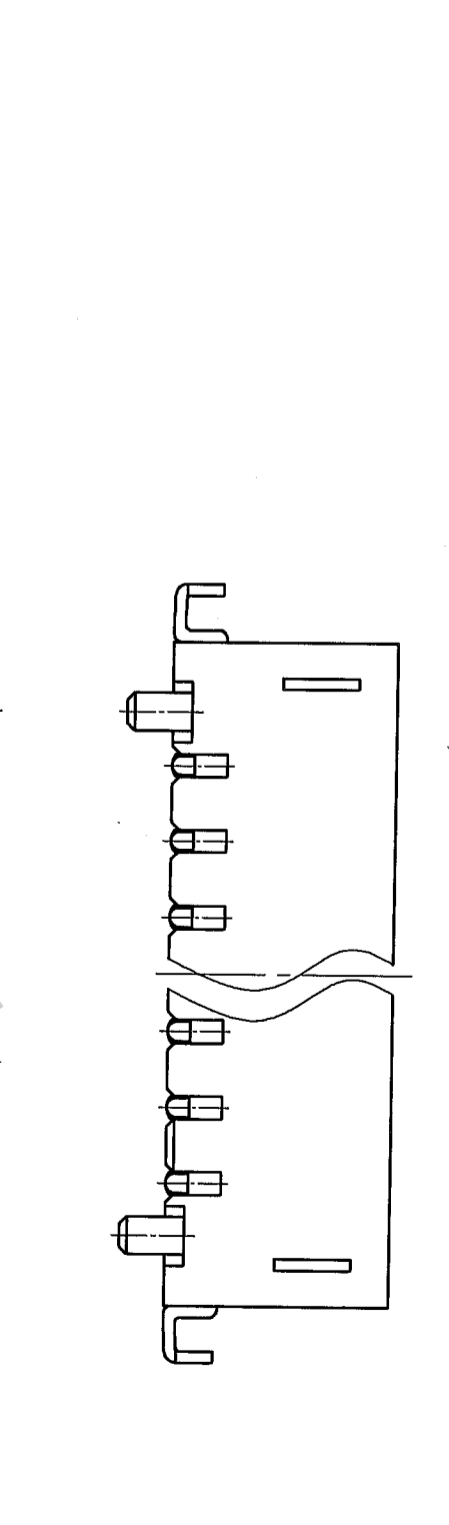
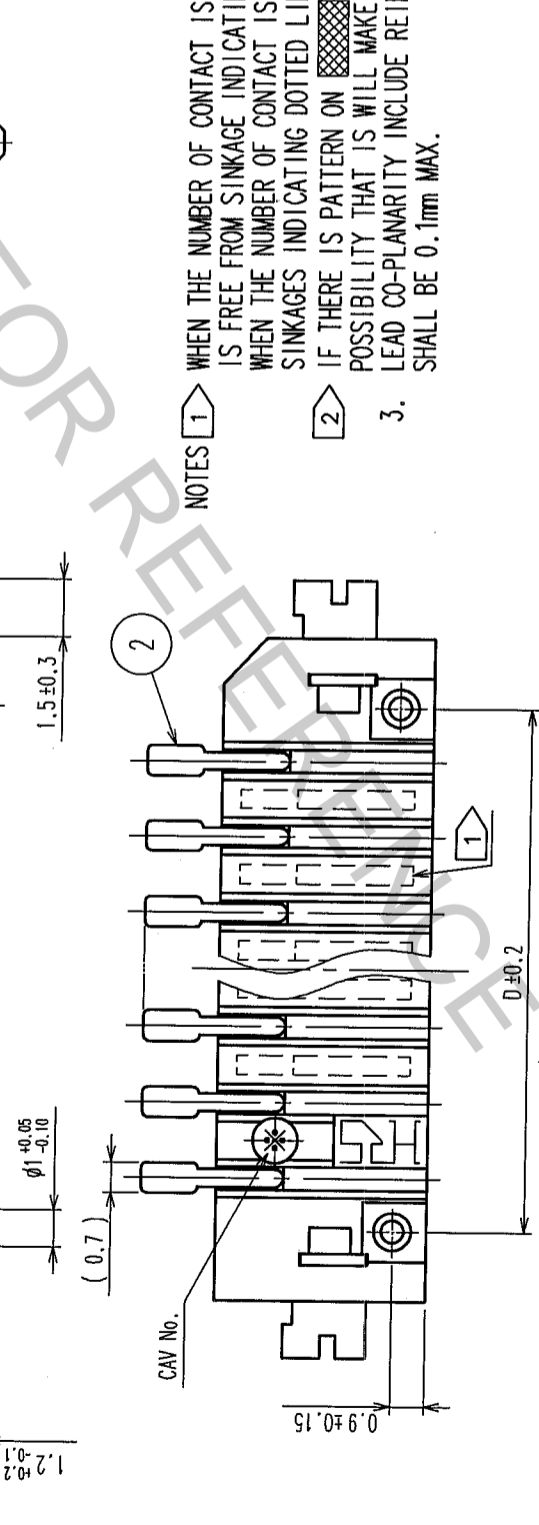
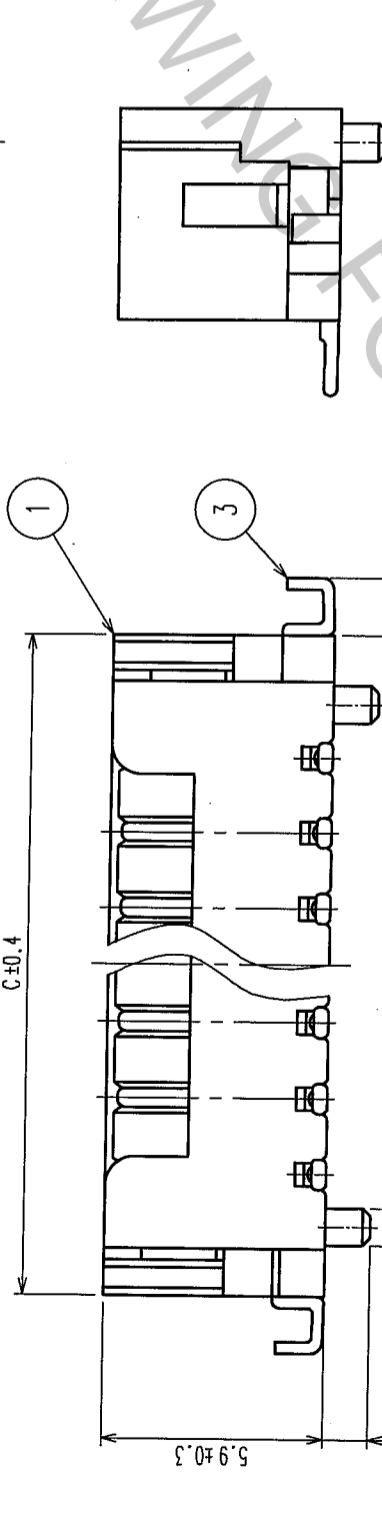
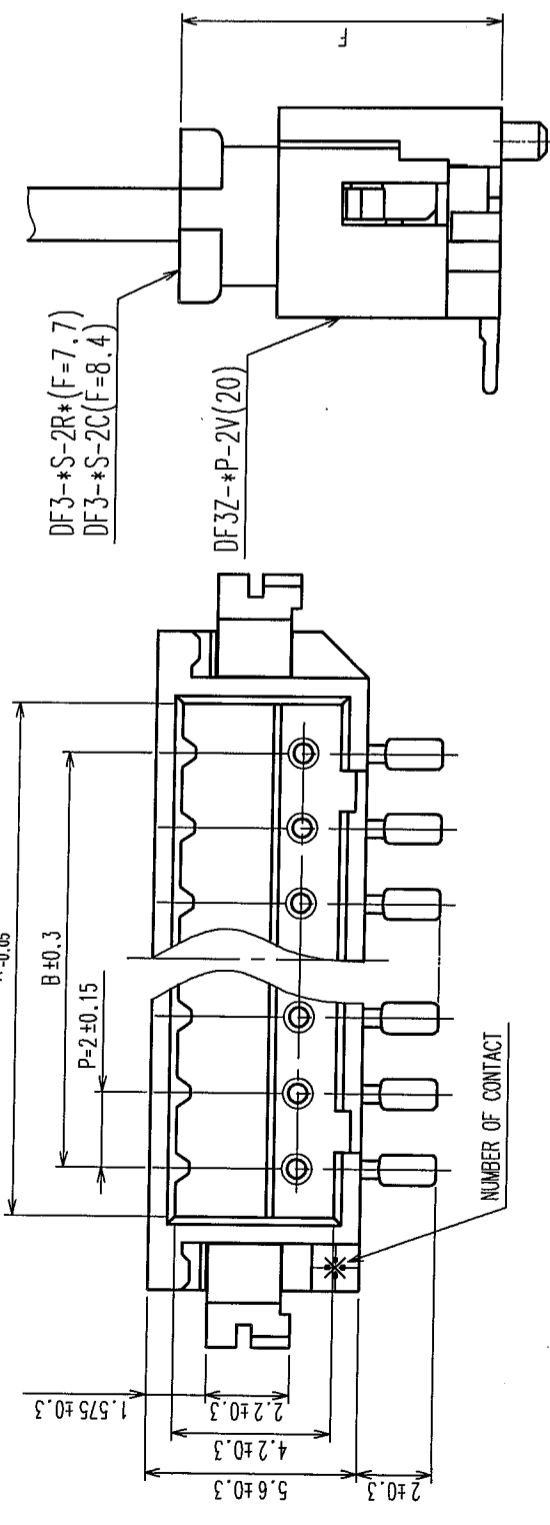


COUNT	DESCRIPTION OF REVISIONS	BY	CHKD	DATE	COUNT	DESCRIPTION OF REVISIONS	BY	CHKD	DATE
1	RE-H-06193	I.D	H.U	'04.04.13					
2	RE-H-06617	I.D	T.M	'04.11.29					

MATED CONNECTORS



PART NO.	CODE NO.	A	B	C	D	E
DF3Z- 2P-2V(20)	CL543-1028-4-20	4.6	2.0	8.5	4.8	8.74
DF3Z- 3P-2V(20)	CL543-1029-7-20	6.6	4.0	10.5	6.8	10.74
DF3Z- 4P-2V(20)	CL543-1030-6-20	8.6	6.0	12.5	8.8	12.74
DF3Z- 5P-2V(20)	CL543-1031-9-20	10.6	8.0	14.5	10.8	14.74
DF3Z- 6P-2V(20)	CL543-1032-1-20	12.6	10.0	16.5	12.8	16.74
DF3Z- 7P-2V(20)	CL543-1033-4-20	14.6	12.0	18.5	14.8	18.74
DF3Z- 8P-2V(20)	CL543-1034-7-20	16.6	14.0	20.5	16.8	20.74
DF3Z- 9P-2V(20)	CL543-1035-0-20	18.6	16.0	22.5	18.8	22.74
DF3Z-10P-2V(20)	CL543-1036-2-20	20.6	18.0	24.5	20.8	24.74
DF3Z-11P-2V(20)	CL543-1037-5-20	22.6	20.0	26.5	22.8	26.74
DF3Z-12P-2V(20)	CL543-1038-5-20	24.6	22.0	28.5	24.8	28.74
DF3Z-13P-2V(20)	CL543-1039-0-20	26.6	24.0	30.5	26.8	30.74
DF3Z-14P-2V(20)	CL543-1040-0-20	28.6	26.0	32.5	28.8	32.74
DF3Z-15P-2V(20)	CL543-1041-2-20	30.6	28.0	34.5	30.8	34.74

NOTES

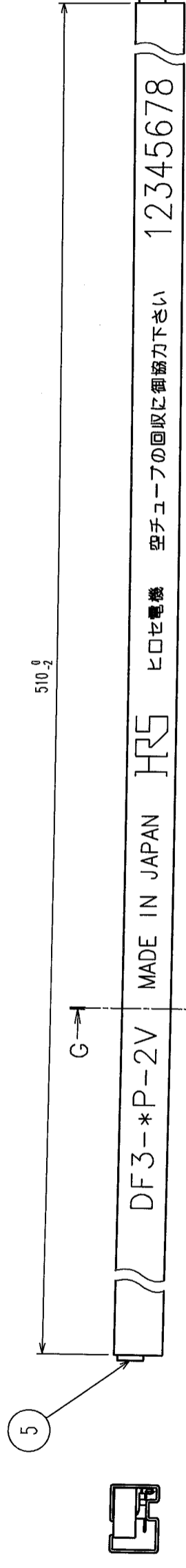
1 WHEN THE NUMBER OF CONTACT IS 2 TO 10, THIS PART IS FREE FROM SINKAGE INDICATING DOTTED LINES.

2 WHEN THE NUMBER OF CONTACT IS 11 TO 15, THERE ARE SINKAGES INDICATING DOTTED LINES.

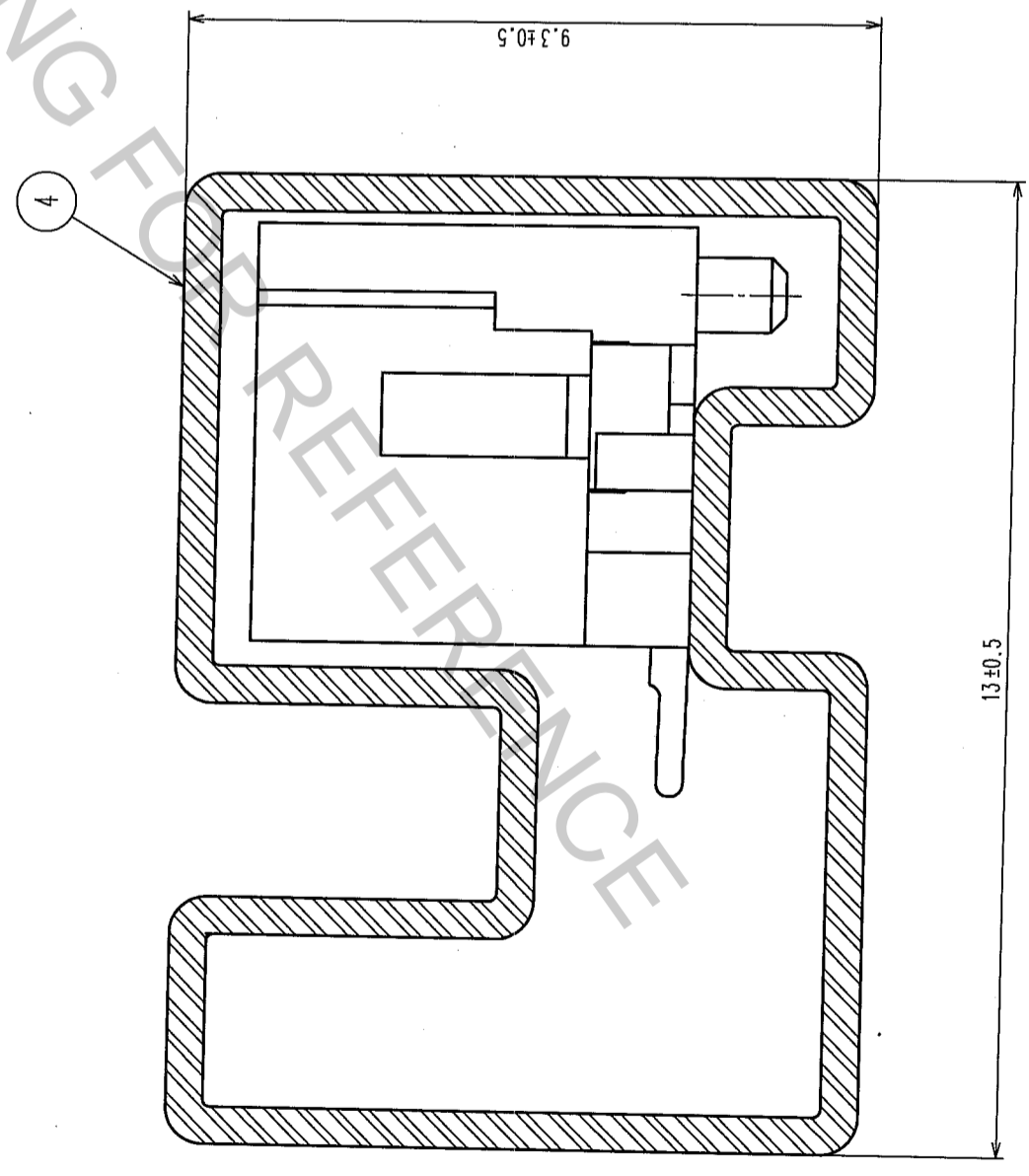
3 IF THERE IS PATTERN ON PART, THERE IS A POSSIBILITY THAT IS WILL MAKE CONTACT WITH THE LEADS. LEAD CO-PLANARITY INCLUDE REINFORCED METAL FITTINGS SHALL BE 0.1mm MAX.

2	BRASS	SURFACE:TIN PLATED 1µ m min (UNDER PLATING)COPPER PLATED 0.5µ m min	5	S.PVC	GRAY	5	S.PVC	GRAY
1	POLYAMIDE	BEIGE, UL94V-0	4	RIGID POLYVINYLCHLORIDE	ELECTROSTATIC PROTECTION, CLEAR	3	BRASS	SURFACE:TIN PLATED 1µ m min (UNDER PLATING)NICKEL PLATED 1µ m min
NO.	MATERIAL	FINISH, REMARKS	NO.	MATERIAL	FINISH, REMARKS	NO.	MATERIAL	FINISH, REMARKS
CL								
DRAWN			DESIGNED			CHECKED		
M.Nakamoto			H.Umehara			T.Miyazaki		
'04.03.25			'04.03.25			'04.03.25		
PART NO.			PART NO.			PART NO.		
EDC3-305939-10			DF3Z-*P-2V(20)			DF3Z-*P-2V(20)		
DRAWING NO.			DRAWING NO.			DRAWING NO.		
5 : 1			5 : 1			5 : 1		
UNITS			UNITS			UNITS		
mm			mm			mm		
HRS			HRS			HRS		
HIROSE ELECTRIC CO., LTD			HIROSE ELECTRIC CO., LTD			HIROSE ELECTRIC CO., LTD		
CL543-			CL543-			CL543-		
1/2			1/2			1/2		

NO.	DESCRIPTION OF REVISIONS	BY	CHKD	DATE	COUNT	DESCRIPTION OF REVISIONS	BY	CHKD	DATE
1									
2									
3									
4									
5									



G-G(10:1)



NOTES 4. NUMBER OF CONNECTORS PER A MAGAZINE CASE SHALL BE IN ACCORDANCE WITH THE LIST.  
 5. THESE CONNECTORS SHALL BE ON SALED IN ACCORDANCE WITH THE MULTIPLE QUANTITY ON THE LIST.

CODE NO.	PART NO.	NUMBER OF CONNECTORS
CL543-1028-4-20	DF3Z- 2P-2V(20)	4 1
CL543-1029-7-20	DF3Z- 3P-2V(20)	3 4
CL543-1030-6-20	DF3Z- 4P-2V(20)	3 0
CL543-1031-9-20	DF3Z- 5P-2V(20)	2 6
CL543-1032-1-20	DF3Z- 6P-2V(20)	2 3
CL543-1033-4-20	DF3Z- 7P-2V(20)	2 1
CL543-1034-7-20	DF3Z- 8P-2V(20)	1 9
CL543-1035-0-20	DF3Z- 9P-2V(20)	1 8
CL543-1036-2-20	DF3Z-10P-2V(20)	1 7
CL543-1037-5-20	DF3Z-11P-2V(20)	1 5
CL543-1038-5-20	DF3Z-12P-2V(20)	1 4
CL543-1039-0-20	DF3Z-13P-2V(20)	1 4
CL543-1040-0-20	DF3Z-14P-2V(20)	1 3
CL543-1041-2-20	DF3Z-15P-2V(20)	1 2

NO.	MATERIAL	FINISH, REMARKS	NO.	MATERIAL	FINISH, REMARKS
CL					
DRAWN		M. Nakamoto	DESIGNED		H. Umehara
DATE		'04.03.25	DATE		'04.03.25
CHECKED		T. Miyazaki	APPROVED		T. Oma
DATE		'04.03.25	DATE		'04.03.25
DRAWING NO.		EDC3-305939-10	PART NO.		DF3Z-*P-2V(20)
SCALE		FR:EE	CODE NO.		CL543-
UNITS		mm	REVISION		2