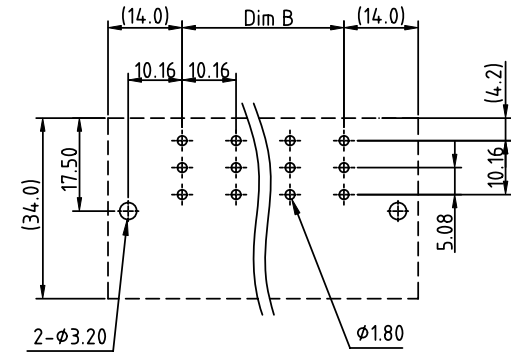
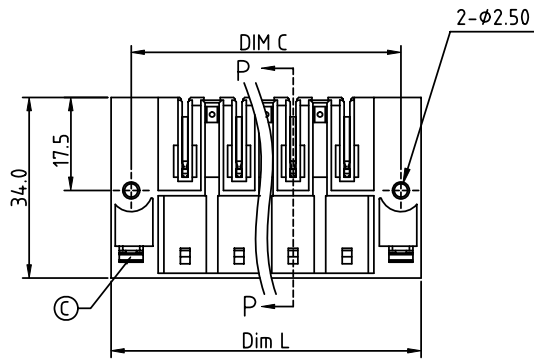
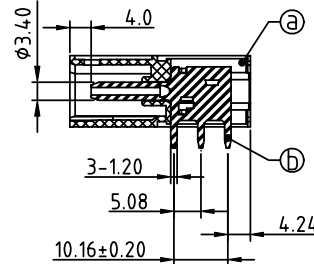
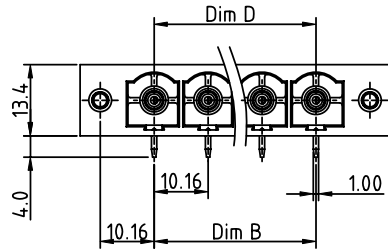


PRODUCT NUMBER	PITCH
EWxx62x100J0G	10.16 mm



RECOMMENDED P.C.B LAYOUT
TOP VIEW



SECTION P-P

Material:

- Item (a) Terminal(housing): Thermoplastic(UL 94 - V0)
- Item (b) Male contact pin: Copper Gold plated
- Item (c) With flange nut : Steel zinc plated M3

Electrical:

- Voltage rating: 300V
- Current rating: 55A
- Withstanding Voltage: 1.6 KV
- Operating temperature: -40°C to +115°C
- Soldering temperature: 260°C±5°C/5 Sec
- Safety Approval: cULus

Dimension

Dim L	(N+1)×10.16+7.6
Dim B	(N-1)×10.16
Dim C	(N+1)×10.16
Dim D	(N-1)×10.16

N=Number of poles

POLES	Tolerance
2p-5p	±0.25
6p-8p	±0.35
9p-12p	±0.45

PART NO.: EW xx 62 x 1 00J0 G

Solid block	0	Black (RAL9005)	RoHS compliant (lead<4%) In copper Alloy
No. of poles	2	Red (RAL3001/D)	
02 2 poles	3	Orange(RAL2011/P)	
03 3 poles	4	Yellow(RAL1018/A)	
...	5	Green(RAL6018/T)	
12 12 poles	6	Blue (RAL5015/A)	
	8	Grey(RAL7035/D)	
	9	White(RAL1102)	
	C	Green(RAL6018/U)	

mat'l. code		surface ASME Y14.5	tolerance ASME Y14.5	projection 	product family TERMINAL BLOCK
ltr	ecn no	dr	date	tolerances unless otherwise specified	title TERMINAL BLOCK
				angles X±0.5	PLUGGABLE SOCKET, PCB DOWN, RIGHT ANGLE, WITH FLANGE
				MM	scale
				X±1°	scale
		dr	EVIN ZHONG	042314	dwg no
		enrg	EVIN ZHONG	042314	sheet 1 of 1
		chr	HANKE FENG	042314	size A4
		appd	SHI JUN	042314	type CUSTOMER Drawing
sheet index	revision	A			
	sheet	1			