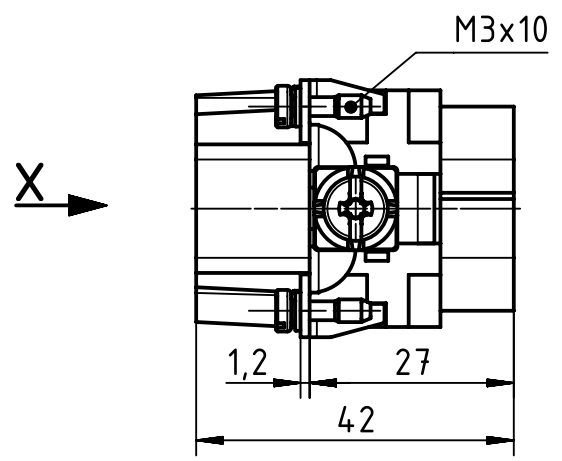
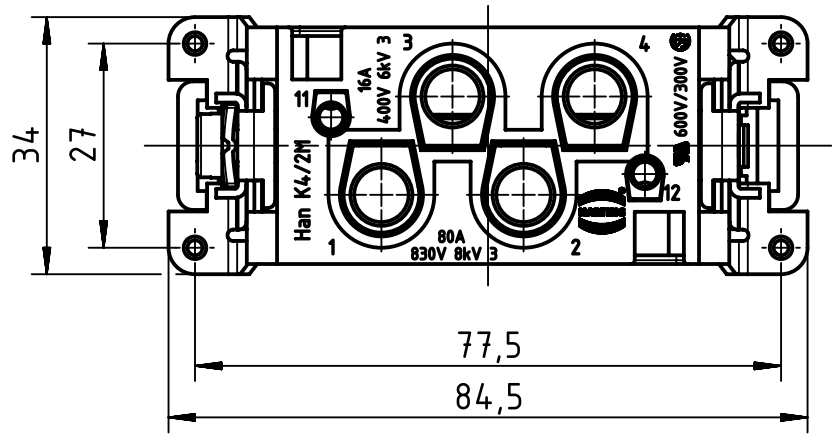
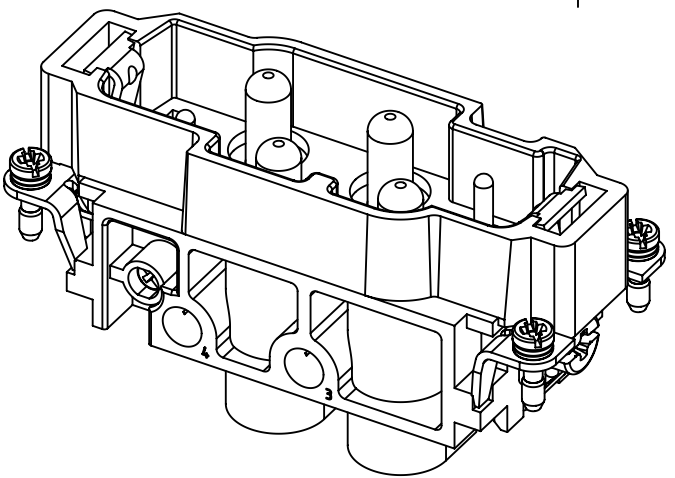
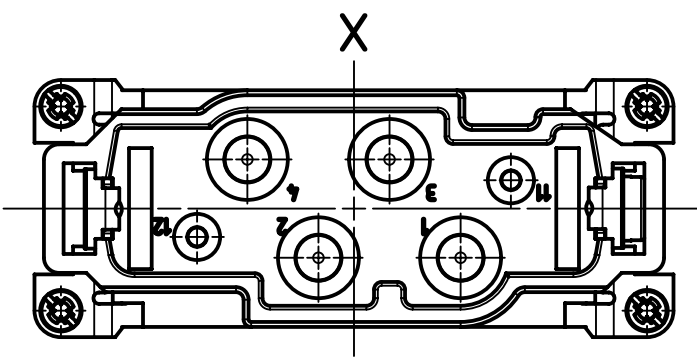
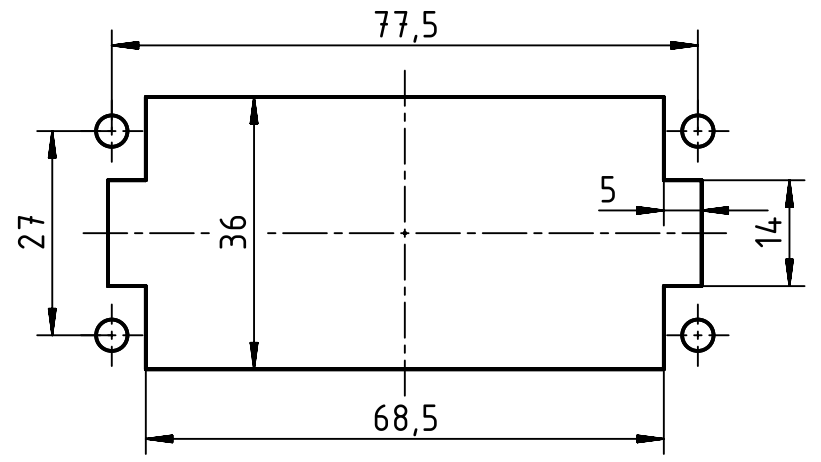


1 2 3 4 5 6

A
B
C
D



panel cut out



	All Dimensions in mm Original Size DIN A4		Scale 1:1	Free size tol.		Ref.	
	All rights reserved Department EL PD - DE		Created by MATAU	Inspected by PRIESTER	Standardisation TIEMANNA	Date 2016-10-28	State Final Release
HARTING Electric GmbH & Co. KG D-32339 Espelkamp			Title Han K 4/2 Pin Male Insert			Doc-Key / ECM-Nr. 100217266/UGD/004/D 500000110835	
			Type TB	Number 09 38 006 2601		Rev. D	Page 1/1