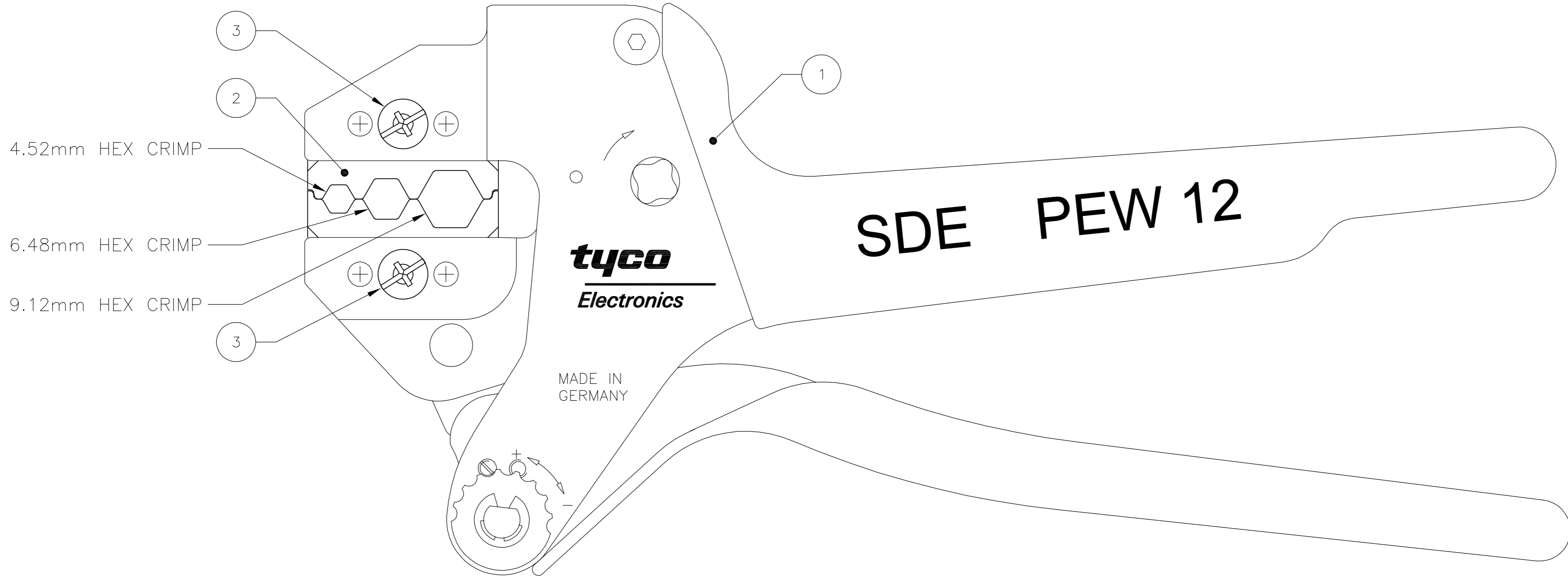


THIS DRAWING IS UNPUBLISHED. RELEASED FOR PUBLICATION  
 © COPYRIGHT BY TYCO ELECTRONICS CORPORATION. ALL RIGHTS RESERVED.

LOC	DIST	REVISIONS					
A	40	P	LTR	DESCRIPTION	DATE	DWN	APVD
		A		ORIGINAL	6-2006	MY	BW

PART NUMBER	REV	FIRST USED
1901621-1	A	-



**SDE PEW 12**

**tyco**  
Electronics

MADE IN GERMANY

1	-	1901472-1	HEX DIE SET ASSY	3
2	-	986964-2	SCR, MACH, COMB, PNH, M4 X 12	2
1	-	9-1478240-0	ERGD CRIMP HAND TOOL	1
-1	U/M	PART NO	DESCRIPTION	ITEM NO

QTY REQD PER ASSY		PARTS LIST			
THIS DRAWING IS A CONTROLLED DOCUMENT.		DWN	M.YOUNGER	14JUN2006	Tyco Electronics Corporation Harrisburg, PA 17105-3608
FINISH		CHK	B.WOLFE	14JUN2006	
DIMENSIONS: INCHES		APVD	B.WOLFE	14JUN2006	
TOLERANCES UNLESS OTHERWISE SPECIFIED:		PRODUCT SPEC	NAME		
0 PLC ± - 1 PLC ± - 2 PLC ± - 3 PLC ± - 4 PLC ± - ANGLES ± - FINISH		APPLICATION SPEC	SDE HAND TOOL AND DIE		
MATERIAL		WEIGHT	-	SIZE	RESTRICTED TO
-		SCALE	A2	CAGE CODE	00779
-		DRAWING NO	C=1901621		REV
-		CUSTOMER DRAWING	SCALE	SHEET	1 of 1

1901621