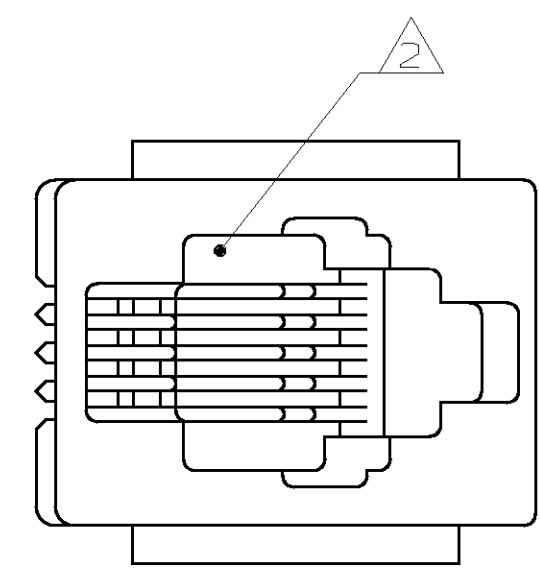
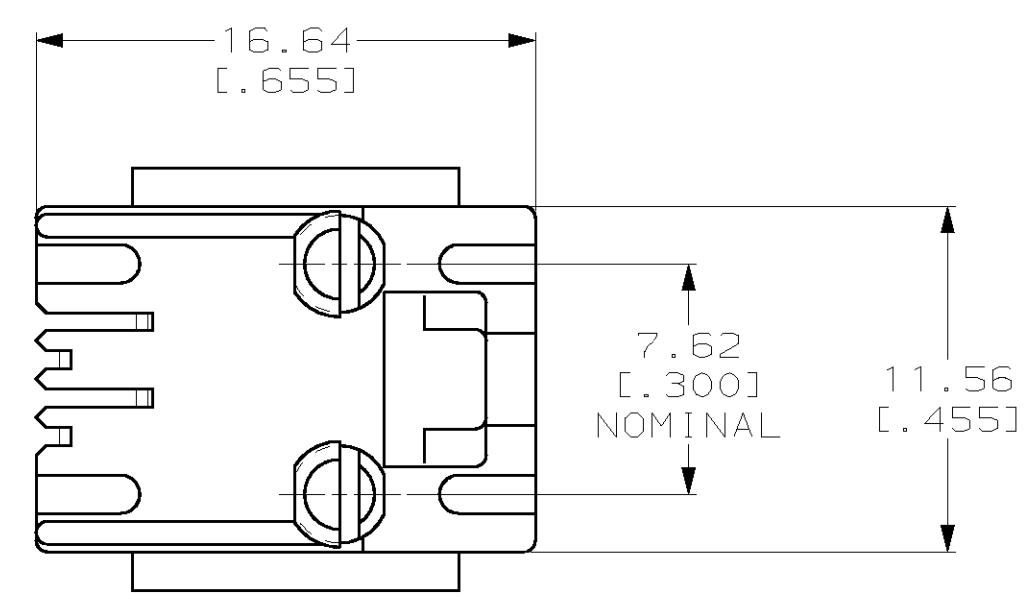
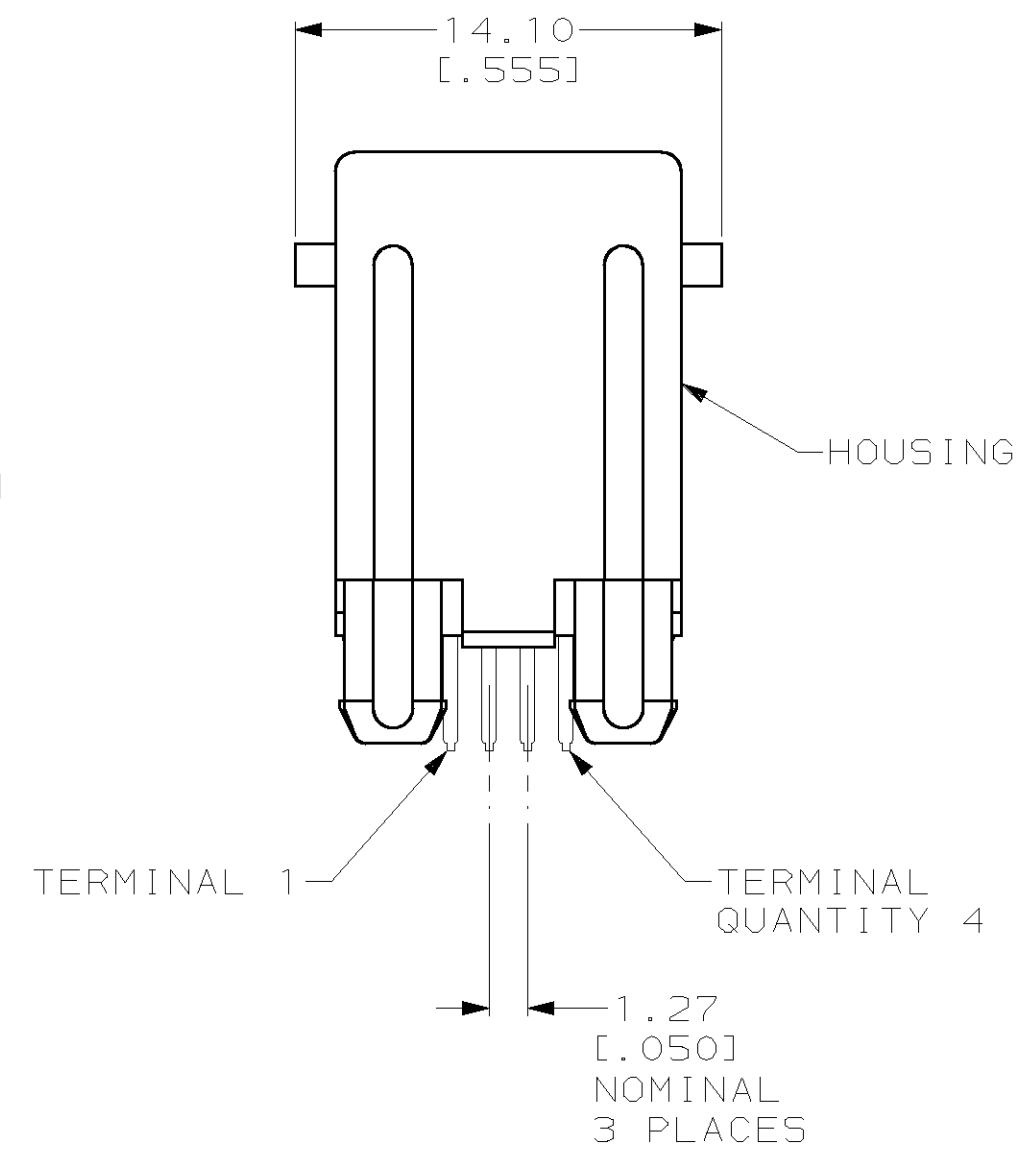
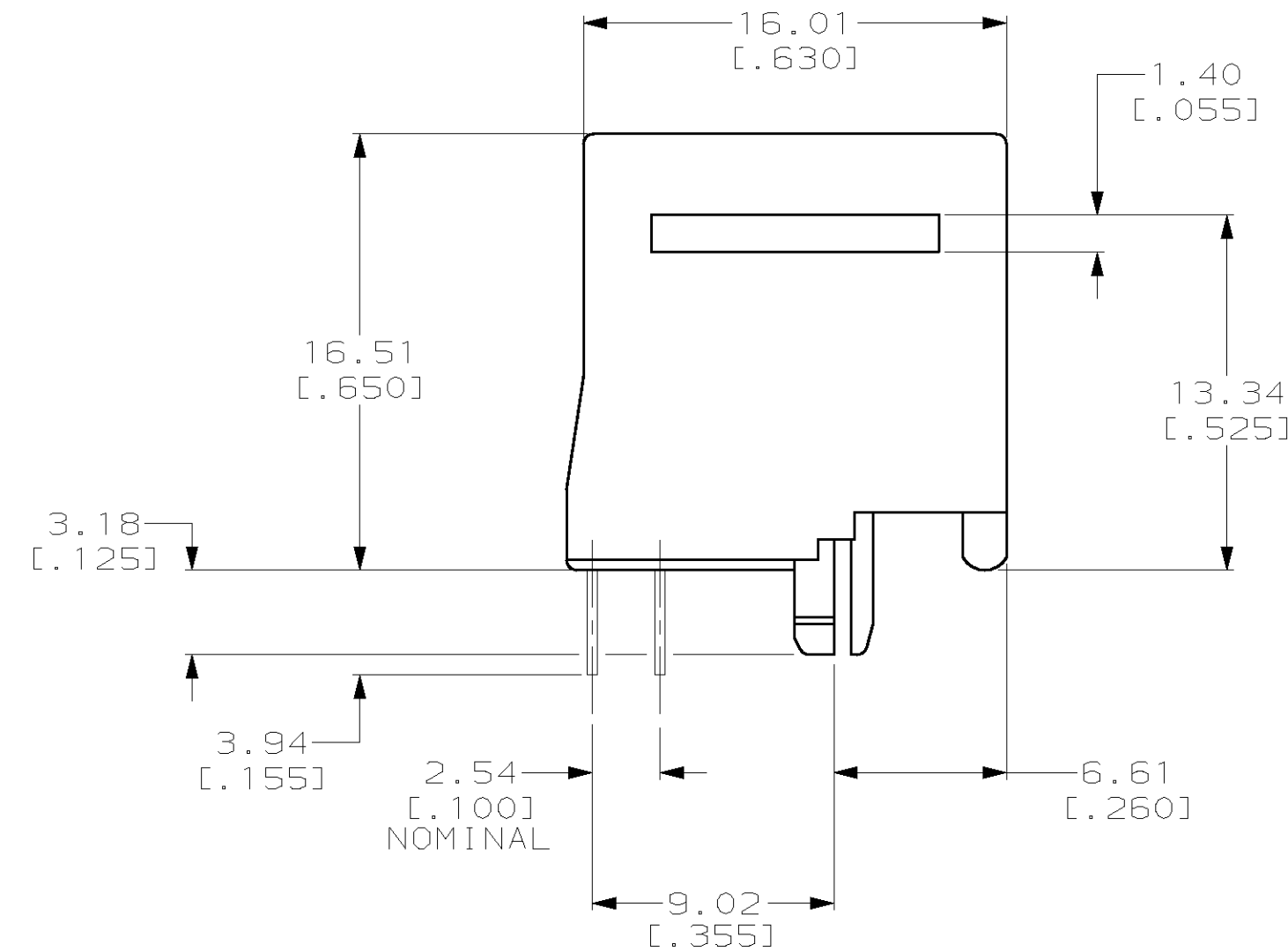


THIS DRAWING IS UNPUBLISHED. RELEASED FOR PUBLICATION  
 BY AMP INCORPORATED. ALL RIGHTS RESERVED.

LOC	DIST	REVISIONS			
P	LTR	DESCRIPTION	DATE	DWN	APVD
AA	22	M	SUPERSEDED: -3; EC OUF0-0006-01	20SEP01	DLD/LLV



- ① MATERIAL: HOUSING - PBT POLYESTER, BLACK. TERMINAL - 0.35[.0138] THICK PHOS-BRONZ PLATED WITH 1.27μm[.000050] THICK HARD GOLD IN LOCALIZED GOLD PLATE AREA AND 2.03μm[.000080] THICK TIN-LEAD IN SOLDER AREA OVER 1.27μm[.000050] THICK NICKEL UNDERPLATE.
- ② CAVITY CONFORMS TO FCC RULES AND REGULATIONS PART 68 AND REA BULLETIN 345-.81 PE-76 SPECIFICATION FOR MODULAR TELEPHONE HARDWARE.
- ③ DIMENSIONS ARE MAXIMUM UNLESS OTHERWISE SPECIFIED.
- ④ BULK PACKAGED IN A TRAY.
- ⑤ PACKAGED 32 ASSEMBLIES PER TUBE.



SUPERSEDED BY 520257-2	⑤	520257-3
	④	520257-2
	PACKAGED	PART NUMBER

THIS DRAWING IS A CONTROLLED DOCUMENT FOR AMP INCORPORATED. IT IS SUBJECT TO CHANGE AND THE CONTROLLING ENGINEERING ORGANIZATION SHOULD BE CONTACTED FOR THE LATEST REVISION.		DWN DL DRUMMOND 4-06-95	AMP Incorporated	
DIMENSIONS: mm [INCHES]		CHK C. WHITT 4-11-95	Harrisburg, PA 17105-3608	
TOLERANCES UNLESS OTHERWISE SPECIFIED:		APVD J. TONEY 4-18-95	NAME	
0 PLC ±	③	PRODUCT SPEC	PCB MODULAR JACK ASSEMBLY, TOP ENTRY, 4 POSITION, FLANGELESS, WITH PANEL STOPS	
1 PLC ±		108-1163	SIZE	CAGE CODE
2 PLC ±		APPLICATION SPEC	A2	00779
3 PLC ±		114-2048	WEIGHT	-
4 PLC ±		CUSTOMER DRAWING	SCALE	4:1
ANGLES ±			SHEET	1 OF 1
FINISH ①			REV	M

520257