

REV.	DESCRIPTION/ECO NO.	DATE
A	PRODUCTION RELEASE	10/3/99
B	ELECTRICAL CHANGES	3/10/04

PERFORMANCE SPECIFICATIONS:

DESCRIPTION	SYM	MIN	TYP	MAX	UNITS
INPUT VOLTAGE	VIN	10.8	12.0	13.2	V DC
INPUT CURRENT	IIN	---	320	800	MA DC
OUTPUT VOLTAGE	VL	1300	1500	---	V RMS
OUTPUT CURRENT (2X)	IL	5.0	5.5	6.0	MA RMS
OSC. FREQUENCY	Fo	37.0	47.0	57.0	K HZ
PWM FREQUENCY	FPW	435	455	475	HZ

TESTED WITH 2 EACH 3MM X 250MM LAMPS, AT 25°C, VIN= 12.0V ± 0.1V.

OPERATING CHARACTERISTICS:

INPUT VOLTAGE RANGE: 10.8 VDC TO 13.2 VDC
 NOMINAL INPUT POWER: 8.0 WATTS
 OUTPUT DIMMING RANGE (R MODE): 40% TO 100%
 OUTPUT DIMMING RANGE (V MODE): 20% TO 100%
 OPERATING TEMPERATURE RANGE: 0°C TO 60°C
 STORAGE TEMPERATURE RANGE: -20°C TO 70°C

ABSOLUTE MAXIMUM RATINGS:

MAXIMUM INPUT VOLTAGE: 15.0 VDC
 MAXIMUM RELATIVE HUMIDITY: 95%

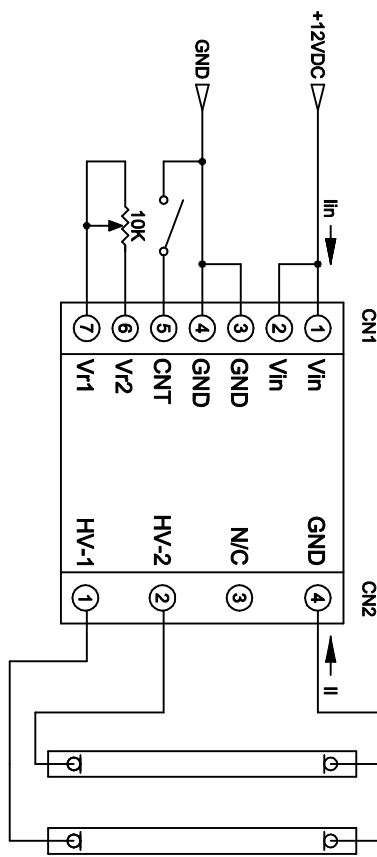
MATING CONNECTORS:

DESCRIPTION	REF	MFG	ON-BOARD	HOUSING	CONTACT
INPUT	CN1	MOLEX	53261-0790	51021-0700	50079-8000
OUTPUT	CN2	JST	SM04-4.0-B-BHS-1	BHR-04VS-1	SBH-001T-P0.5

CONNECTOR HARNESSSES

INPUT JKL PART NO.: BXC-10694L
 OUTPUT JKL PART NO.: BXC-10685

WIRING DIAGRAM:



CONTROL FUNCTIONS:

CNT (INPUT PIN 5) IS USED AS AN INHIBIT FUNCTION, "+V" OR "OPEN" EQUALS OFF, "GND" EQUALS ON.
 R MODE DIMMING: V1 AND V2 (INPUT PINS 6 AND 7) ARE USED TO PROVIDE, THE DIMMING FUNCTION, "0" OHMS EQUALS 100% LIGHT OUTPUT, "10K" OHMS EQUALS 40% LIGHT OUTPUT.
 V MODE DIMMING: V1 (INPUT PIN 7) IS USED TO PROVIDE, THE DIMMING FUNCTION, "0VDC" EQUALS 100% LIGHT OUTPUT, "2.0VDC" EQUALS 20% LIGHT OUTPUT.

NOTE: THE SWITCH AND POTENTIOMETER SHOWN ON THE WIRING DIAGRAM ARE NOT A PART OF THE BXA-12630-5.5M INVERTER. THESE ARE PARTS ARE AVAILABLE FROM MOST ELECTRONIC PARTS DISTRIBUTORS.

	METRIC	DIMENSIONS ARE IN MILLIMETERS	<h1>JKL COMPONENTS CORPORATION</h1>			
		TOLERANCE UNLESS OTHERWISE SPECIFIED				
THIRD ANGLE PROJECTION 1 PL +/-, REF. 2 PL +/-, 0	APPL'D BY L. WENGSTROM	DATE 3/10/04	SIZE A	FQCN NO. 55335	DRAWING NO. BXA-12630-5.5M	
- CAD DRAWING - MANUAL REVISIONS NOT PERMITTED	SCALE NONE	RELEASED DATE 10/3/99	NONE	REVISION DATE 3/10/04	REV. NO. B SHEET 1 OF 1	