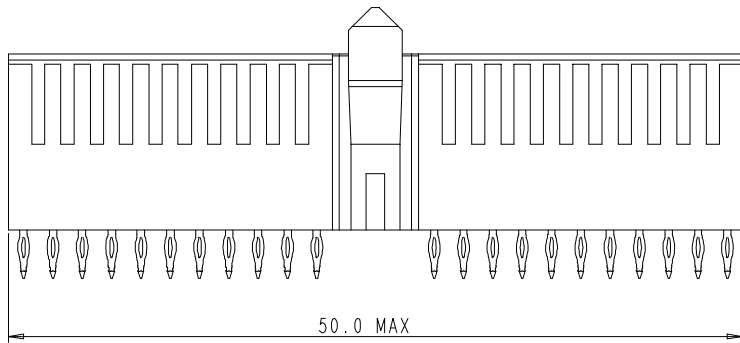
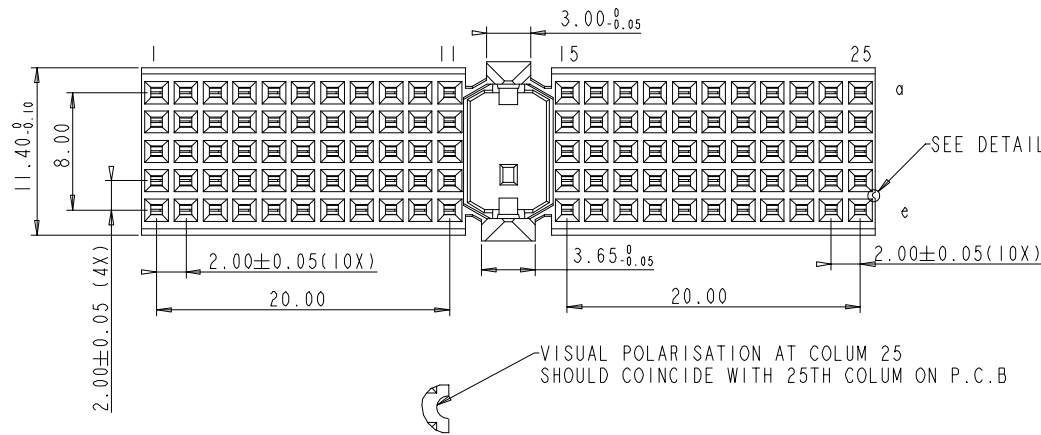


Tous droits strictement reserves. Reproduction ou communication a des tiers interdite sous quelque forme que ce soit sans autorisation écrite du propriétaire. Propriete de c FCI. Droits de reproduction FCI.

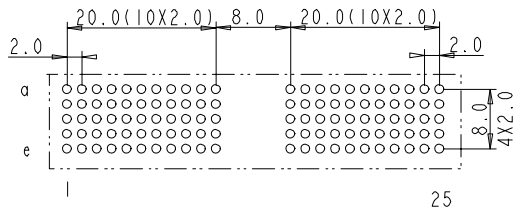


All rights strictly reserved. Reproduction or issue to third parties in any form whatsoever is not permitted without written authority from the proprietor. Property of FCI. Copyright FCI.



LAY OUT
P.C.B -HOLE

(FRONT SIDE)



rev	ecn no	dr	date
A	CONVERSION REVISION 00	Kason	14-09-01
B	104-0109	ALEX E	27-11-04
C	DG05-0278	Kason	02-08-05
D	DG10-0110	NZ	2010.9.3
-	-	-	-
-	-	-	-
-	-	-	-

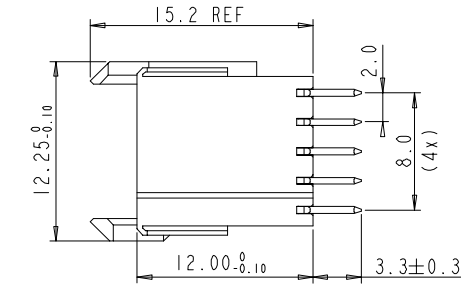
Material		Spec ref	
Mat code		tolerance	projection
Heatreat	✓	1 DEC±0.2 1 DEC 2 DEC±0.1 2 DEC ANGLES±1° HOEKEN	MM
Plating/Finish		Dr M.Fret	30-10-97
Dr	M.Fret	Eng	
Chr		Chr	
Appr		Appr	
Product family		MILLIPACS	
Model Name		ECN	
Model Revision		REL Level	
title		MILLIPICS 2/TYPE A (W/O LOC.PEG)/NO SHIELDING	
Pro/E file		catalog no HM2SI0PE5100----	
dwg no		BSC201907007	
Rev.		D	
CUSTOMER DRAWING		sheet 1 of 1	

PERFORMANCE CHARACTERISTICS

- CURRENT RATING : 1.5A AT 20°C (FULLY LOADED)
1 A AT 70°C (FULLY LOADED)
- RATED VOLTAGE : 500 V AC (CONT /CONT)
- OPERATING TEMPERATURE : -55°C TO 125°C
- CONTACT RESISTANCE 20 MΩ MAX
- INSERTION FORCE : 0.75N MAX/CONT
- EXTRACTION FORCE : 0.15N MIN/CONT
- INSULATION RESISTANCE : 10⁴ MΩ MIN

NOTES

1. " " LEAD FREE INDICATOR : LF=LEAD FREE
PERFORMANCE LEVEL INDICATION (REF DWG NO.BSC .201844.003)
2. THIS PRODUCT IS CSA APPROVED.
THIS PRODUCT IS UL RECOGNIZED.
3. FOR RECOMMENDED PTH DIMENSIONS REFER DRAWING :BS.A.201572.001
4. THIS PRODUCT (LF) MEETS EUROPEAN UNION DIRECTIVES AND OTHER COUNTRY REGULATIONS AS DESCRIBED IN GS-22-008



PERFORMANCE CHARACTERISTICS

- CURRENT RATING : 1.5A AT 20°C (FULLY LOADED)
1 A AT 70°C (FULLY LOADED)
- RATED VOLTAGE : 500 V AC (CONT /CONT)
- OPERATING TEMPERATURE : -55°C TO 125°C
- CONTACT RESISTANCE 20 MΩ MAX
- INSERTION FORCE : 0.75N MAX/CONT
- EXTRACTION FORCE : 0.15N MIN/CONT
- INSULATION RESISTANCE : 10⁴ MΩ MIN

NOTES

1. " " LEAD FREE INDICATOR : LF=LEAD FREE
PERFORMANCE LEVEL INDICATION (REF DWG NO.BSC .201844.003)
2. THIS PRODUCT IS CSA APPROVED.
THIS PRODUCT IS UL RECOGNIZED.
3. FOR RECOMMENDED PTH DIMENSIONS REFER DRAWING :BS.A.201572.001
4. THIS PRODUCT (LF) MEETS EUROPEAN UNION DIRECTIVES AND OTHER COUNTRY REGULATIONS AS DESCRIBED IN GS-22-008

FCI	title	MILLIPICS 2/TYPE A (W/O LOC.PEG)/NO SHIELDING	dwg no	BSC201907007	Rev.	D
Pro/E file	catalog no	HM2SI0PE5100----	CUSTOMER DRAWING	sheet 1 of 1		