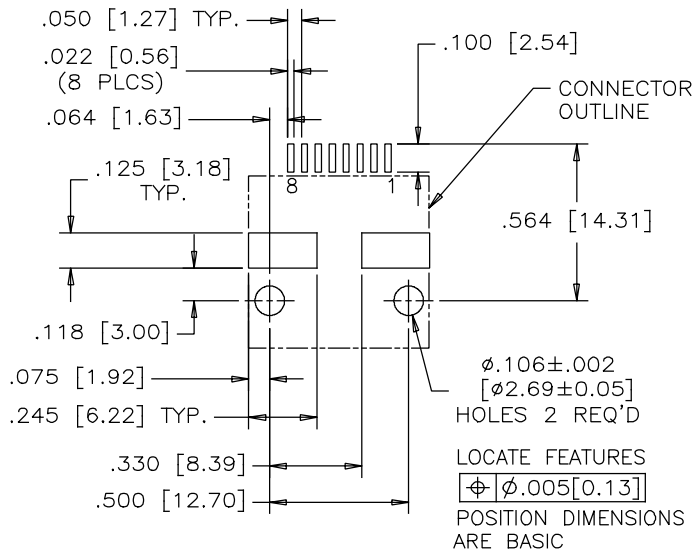
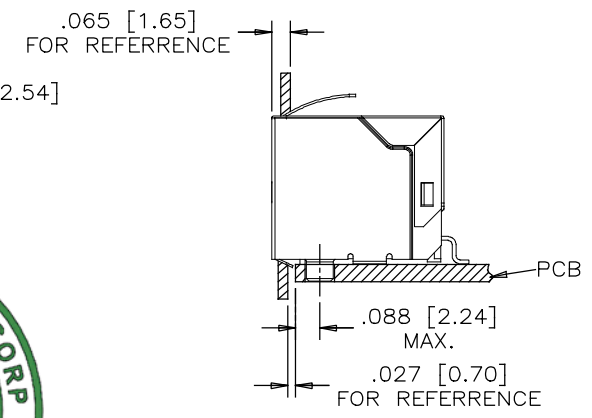
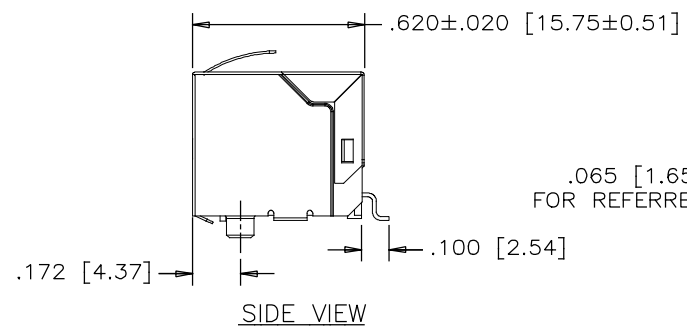
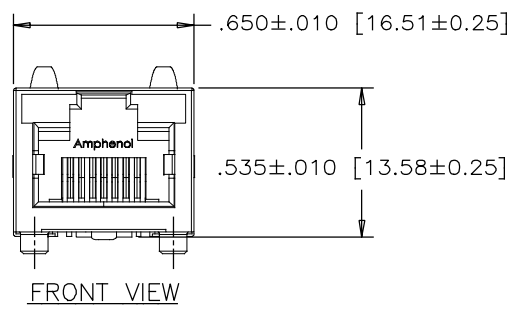
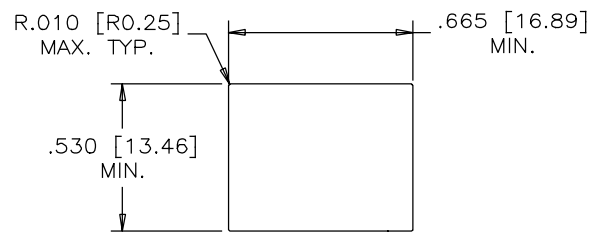


REVISIONS			
REV	DESCRIPTION, ECN, EAR NO.	DATE	APP'D
A	PROPOSAL	JAN 31/05	L.CHAN
D	CORRECT PLATING	APR 27/16	L.CHAN
E	CORRECT THE VISUAL FOR CONTACT TAILS AND SHIELD	MAR 03/17	L.CHAN



RECOMMENDED P.C.B. LAYOUT
(COMPONENT SIDE OF BOARD)



RECOMMENDED PANEL CUTOUT



MATERIALS:
 PLASTIC HOUSING: ENGINEERING THERMOPLASTIC
 FLAMMABILITY RATING UL 94V-0

CONTACTS:
 PHOSPHOR BRONZE
 PLATING: 20 μ" [0.51 MICRONS]
 MIN. GOLD ON MATING SURFACES.
 50 μ" [1.27 MICRONS]
 MIN. NICKEL UNDERPLATE
 100 μ" [2.54 MICRONS]
 MIN. MATTE TIN ON CONTACT TAILS.

SHIELD:
 COPPER ALLOY
 PLATING: NICKEL

PART NUMBER: RJSSE-5380

UNLESS SPECIFIED OTHERWISE	DRAWN L.DENG	DATE 01/31/05	Amphenol Canada Corp. www.amphenolcanada.com
PRIMARY UNITS INCH	CHECKED J.SI	01/31/05	
SECONDARY MILLIMETER	M.E. APP'D		TITLE
REFERENCE IN PARENTHESES	Q.A. APP'D		SINGLE PORT, SURFACE MOUNT, RJ45 MODULAR JACK, 8 POSITION, 8 CONTACTS, WITH SHIELD, RoHS COMPLIANT
GENERAL TOLERANCES	DWG APPR.		DWG. NO.
1 DECIMAL PLACE ±0.025	ENG. REL. NO.		P-RJSSE-5380
2 DECIMAL PLACES ±0.020	REF.	EAR# 12642	REV E
3 DECIMAL PLACES ±0.015	THIRD ANGLE PROJECTION	DO NOT SCALE DRAWING	CODE ID NO. 03554 DWG SIZE: C SCALE: N/A SHEET 1 OF 1
ANGULAR DEGREES ±1.0°			