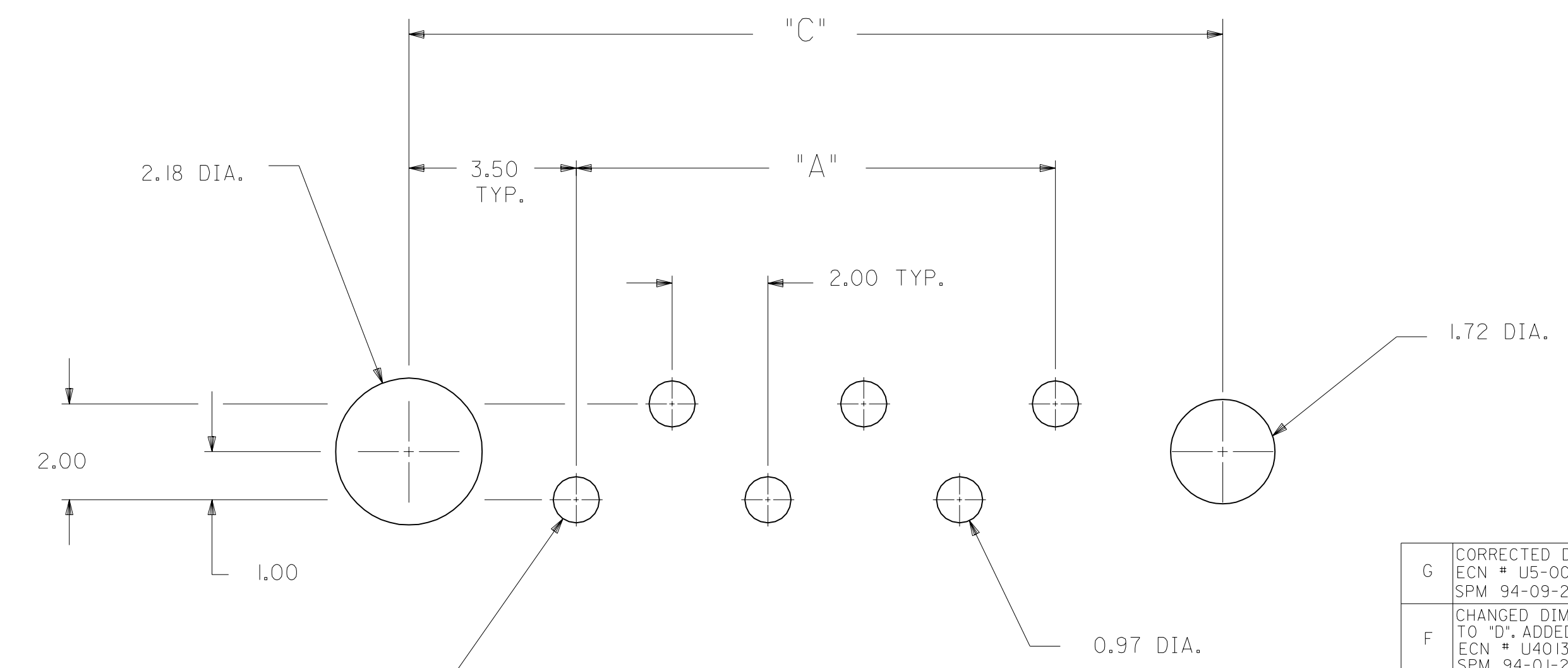
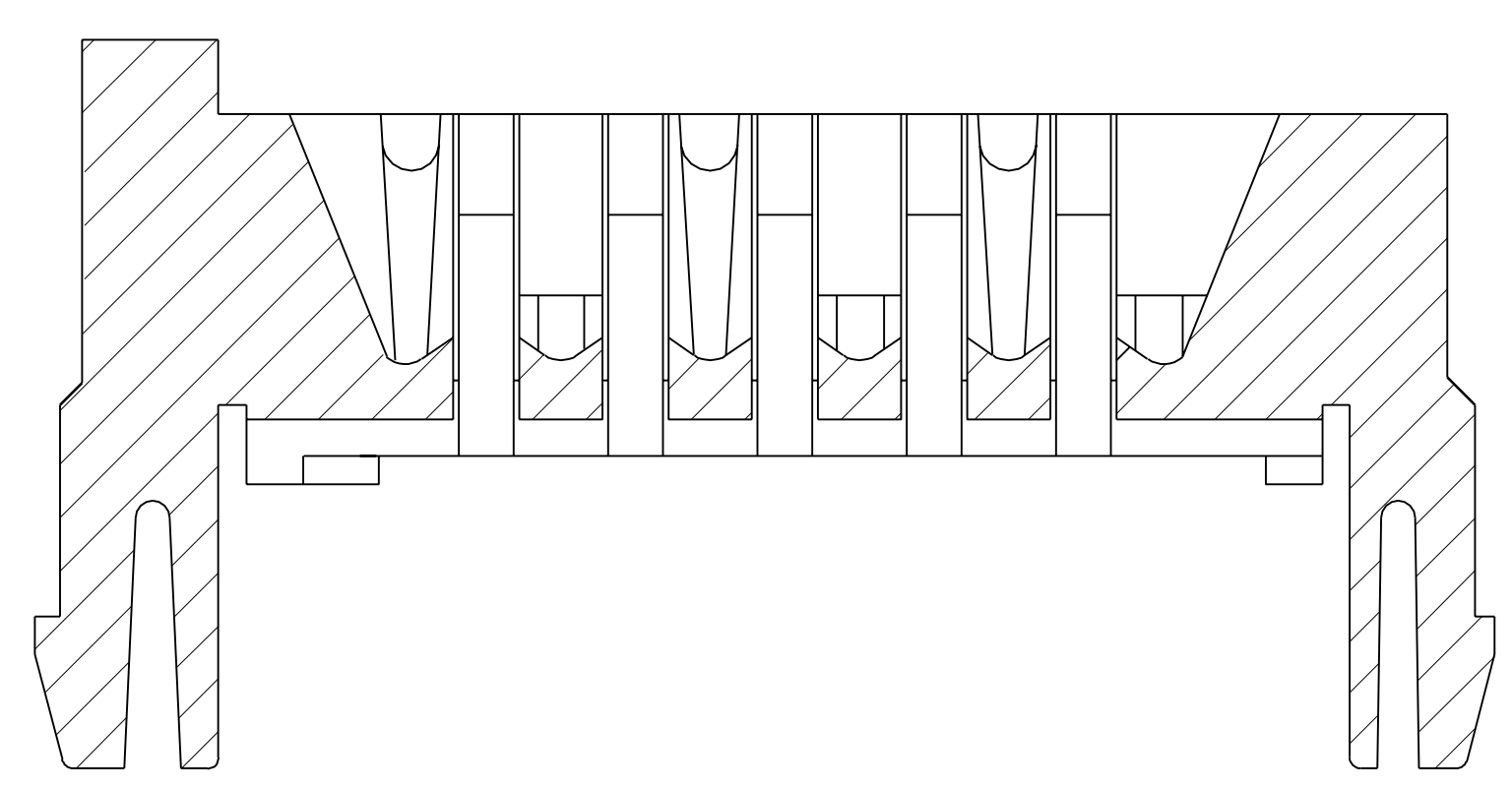
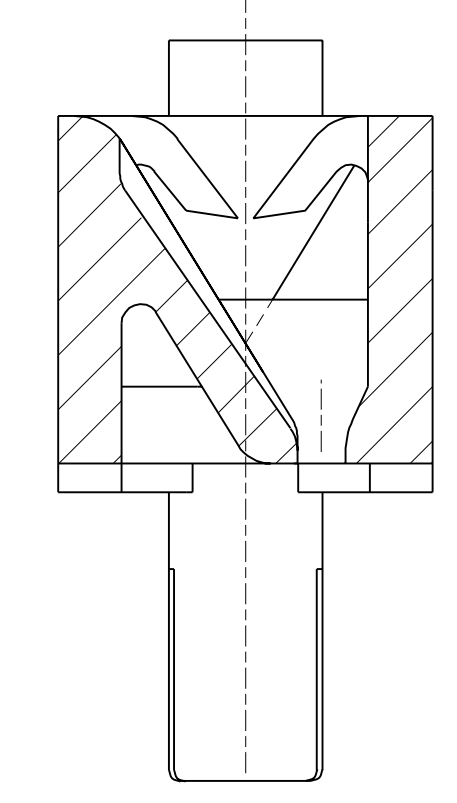
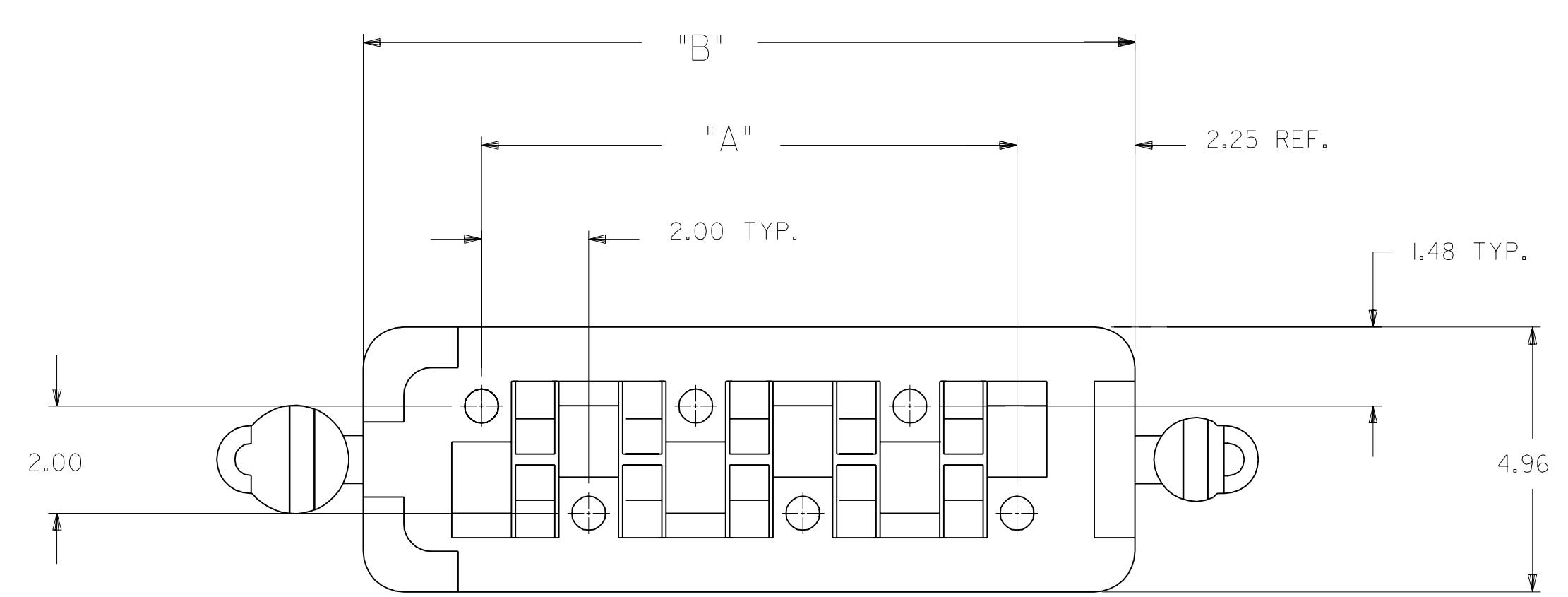
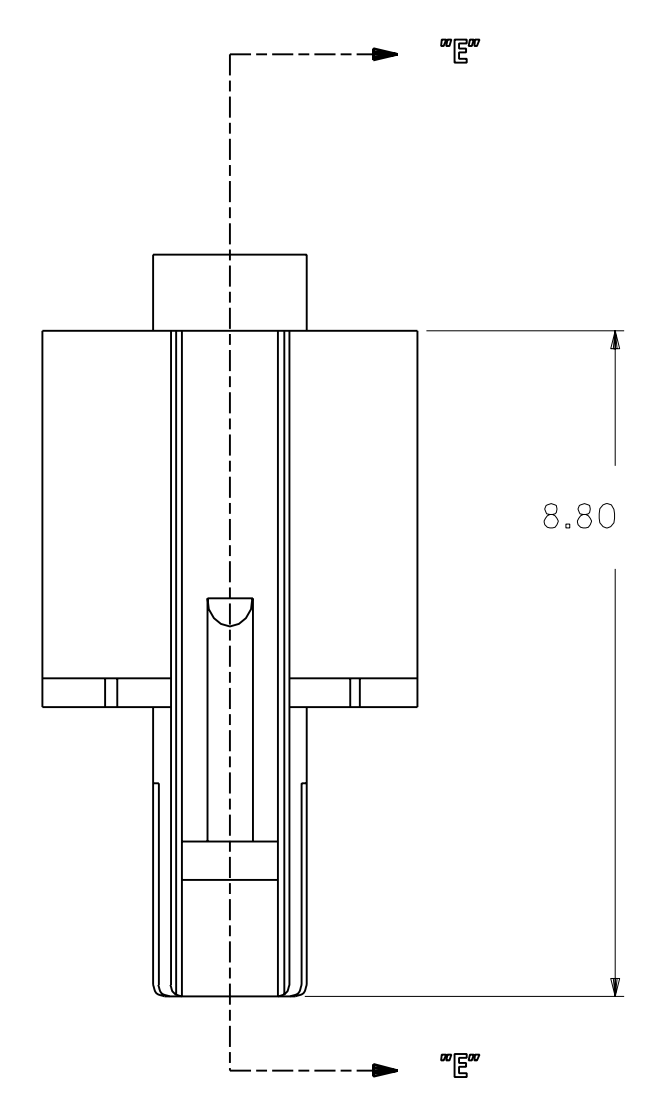
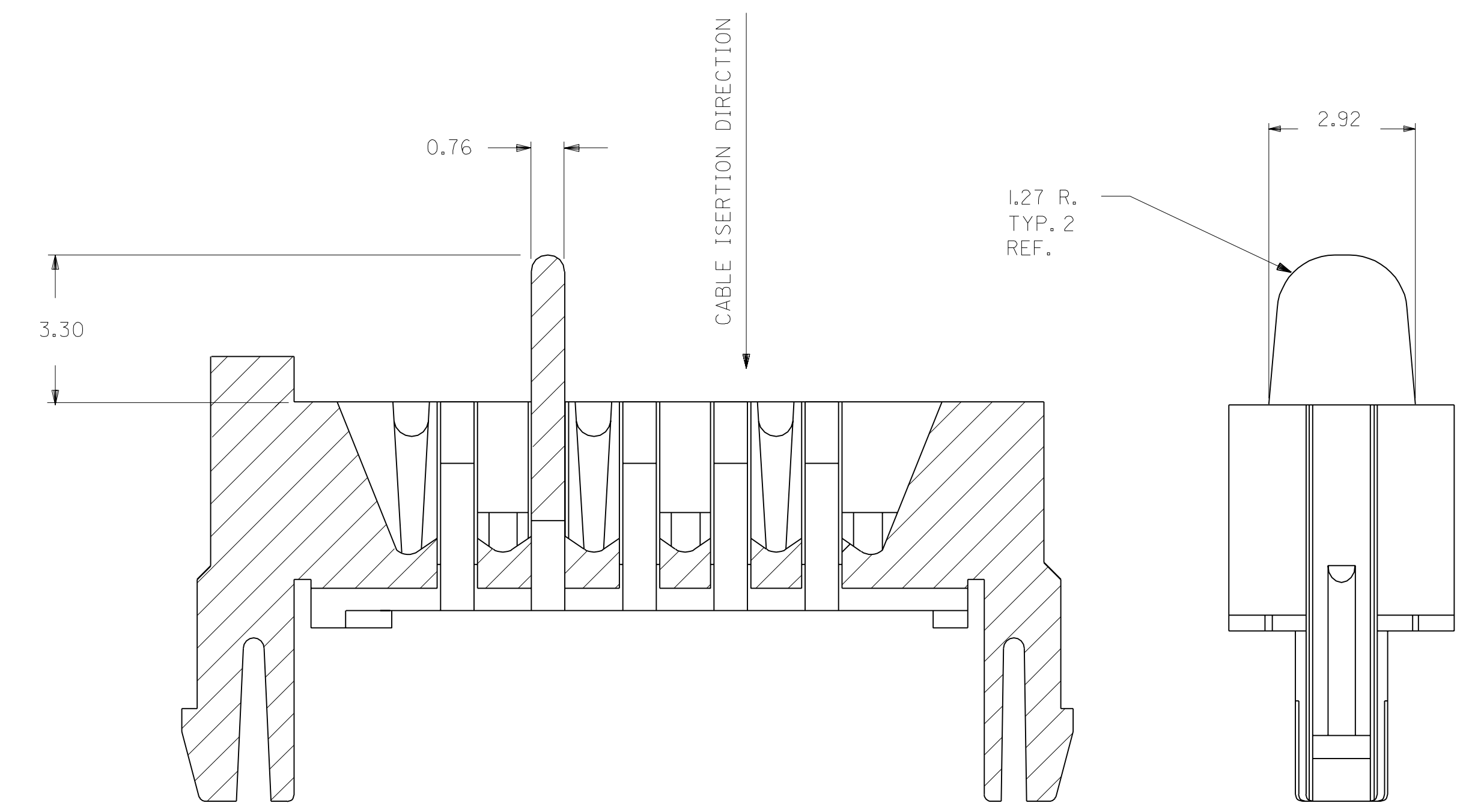


- NOTES:
1. FLASH ON HOLE PERIMETER TO BE .08 MAX.
  2. THE 'X' OR BLANK PRECEDING THE ITEM NO. INDICATES IT'S NON-AVAILABILITY OR AVAILABILITY, RESPECTIVELY.
  3. PRODUCT SPECIFICATION 30452-0000 APPLIES.



RECOMMENDED P.C. BOARD LAYOUT  
BOARD THICKNESS 1.57  
BOARD TOLERANCE ± .05



OPTIONAL POLARIZATION FEATURE-  
LOCATED BETWEEN CIRCUITS 2 & 3  
(SEE CHART SHT. 2)

MATERIAL: POLYESTER, VALOX 457 7.5% GLASS FILLED  
POLYESTER OR EQUIVALENT  
COLOR : WHITE

G	CORRECTED DIM. 'D' ECN # U5-0007 SPM 94-09-23
F	CHANGED DIM. 'C+2.14' TO 'D'. ADDED NOTE 3 ECN # U40133 SPM 94-01-28
E	ADDED CRITICAL DIM. CORRECTED PEG PICTORIALLY ECN # U31550 SPM 93-10-29
D	UPDATED PEG GEOMETRY ECO # U3-0827 SPM 93-05-28
C	CHANGED DIM. FROM: 2.30 TO: 3.30 ECO # U3-0647 SPM 93-04-27
B	DELETED 'C' ON PLAN VIEW DELETED 1.25 REF DELETED REF'S ECO # U3-0397 SPM 93-03-16
A	ECO NO. U21431 ADDED DIM. C + 2.14 MAX.; ADDED NOTE 2 COL. TO CHART; ITEM NO. WAS ENG. NO.; REV. DELCO P/N'S 8.2 REF. WAS 8.2 2.3 REF. WAS 2.3 1.0 REF. WAS 1.0 4.98 REF. WAS 4.98 1.78 REF. WAS 1.78 1.27 REF. WAS 1.27 2.92 REF. WAS 2.92 ADDED NOTE 2; REL TO PROD. DF 9/22/92
10	ADDED 1.00 HIGH POST DF 6/29/92
9	UPDATED DWG LEG 05-27-92
8	CHANGED MATERIAL AJP/LEG 2/24/92
7	REVISED BOARD LOCKS LEG 02-05-92
6	MAT'L WAS NYLON ADD OPTIONAL POLARIZATION FEATURE ECR. #U12164 R.J.G. 9/1/11/7
5	REV. LEAD-IN ON END CKTS. ECR. #U1862 R.J.G. 9/1/10
4	ADD MATERIAL NOTE REV. P.C.B HOLE SIZE AND BOARD LOCK SIZE ECR. #U1150 R.J.G. 9/1/6/26
3	ADD 1.25 REF. AND 2.25 REF. R.J.G. 9/1/4/10
2	REV. PEGS ECR. #U10729 R.J.G. 9/1/4/2
1	WAS 4MM HIGH R.J.G. 9/1/3/13

DIMENSIONS SHOWN (METRIC) INCH		▽=2 ▼=0		REVISE ONLY ON CAD SYSTEM	
UNLESS OTHERWISE SPECIFIED TOLERANCES: ANGULAR ± 1/2°					
INCH		METRIC			
3 PLACE	± .005	---	---		
2 PLACE	± .01	± .13	---		
1 PLACE	---	± .25	---		
DRAWING INFORMATION					
DRAWN: R.J.G.		CHKD: LEG		FILE NAME: S30453.DWG	
APP'D: SC		SCALE: 10:1		THIS DRAWING CONTAINS INFORMATION THAT IS PROPRIETARY TO MOLEX INC. AND SHOULD NOT BE USED WITHOUT WRITTEN PERMISSION.	
TITLE: CABLE HOLDER (VERTICAL) 2.00 PITCH		SHEET NO. 1 OF 2		DATE: 9/1/3/97	
PART NO. SEE CHART		DRAWG. NO. SD-30453-****		DIV. A	

NOTE 2	ITEM NO.	CKT. #	DIM. "A"	DIM. "B"	DIM. "C"	DIM. "D"	POLARIZATION	NO. OF CABLE RET. FINGERS
	304-53-0400	4	6.00	10.50	13.00	14.90	NOT AVAILABLE	3
X	304-53-0500	5	8.00	12.50	15.00	16.90	YES	4
	304-53-0600	6	10.00	14.50	17.00	18.90	YES	5
X	304-53-0700	7	12.00	16.50	19.00	20.90	YES	6
	304-53-0800	8	14.00	18.50	21.00	22.90	YES	7
	304-53-0900	9	16.00	20.50	23.00	24.90	YES	8
	304-53-1000	10	18.00	22.50	25.00	26.90	YES	9
	304-53-1100	11	20.00	24.50	27.00	28.90	YES	10
	304-53-1200	12	22.00	26.50	29.00	30.90	YES	10 5 AT EACH END
X	304-53-1300	13	24.00	28.50	31.00	32.90	YES	10 5 AT EACH END
X	304-53-1400	14	26.00	30.50	33.00	34.90	YES	10 5 AT EACH END
X	304-53-1500	15	28.00	32.50	35.00	36.90	YES	10 5 AT EACH END
X	304-53-1600	16	30.00	34.50	37.00	38.90	YES	10 5 AT EACH END
X	304-53-1700	17	32.00	36.50	39.00	40.90	YES	10 5 AT EACH END
X	304-53-1800	18	34.00	38.50	41.00	42.90	YES	10 5 AT EACH END
	304-53-1900	19	36.00	40.50	43.00	44.90	YES	10 5 AT EACH END
X	304-53-2000	20	38.00	42.50	45.00	46.90	YES	10 5 AT EACH END
X	304-53-2100	21	40.00	44.50	47.00	48.90	YES	10 5 AT EACH END

G	SEE SHEET I
F	SEE SHEET I
E	SEE SHEET I
D	SEE SHEET I
C	SEE SHEET I
B	SEE SHEET I
A	SEE SHEET I
10	SEE SHEET I
9	SEE SHEET I
8	SEE SHEET I

MFG. SH. REV. LTR. REVISIONS

DIMENSIONS SHOWN (METRIC) INCH		▽ = 0	▼ = 0	REVISE ONLY ON CAD SYSTEM
UNLESS OTHERWISE SPECIFIED TOLERANCES: ANGULAR ± 1/2°		TITLE		
CABLE HOLDER 2.00 PITCH		PART NO. SD-30453-****		
MOLEX INCORPORATED U.S.A.		SHEET NO. 2	DATE 9/11/7	
DRAWING FILE NAME: S30453X2		THIS DRAWING CONTAINS INFORMATION THAT IS PROPRIETARY TO MOLEX INC. AND SHOULD NOT BE USED WITHOUT WRITTEN PERMISSION		
DRWG. BY: RJG	CHK'D. BY: LEG	SCALE: 10:1	FILE NAME: S30453X2	DIV. AU