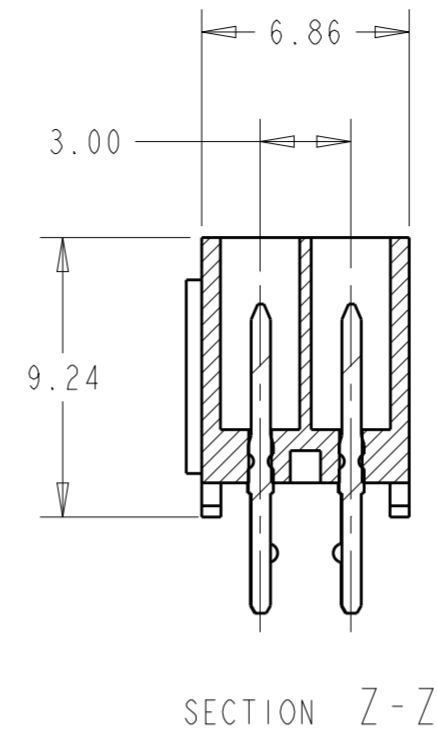
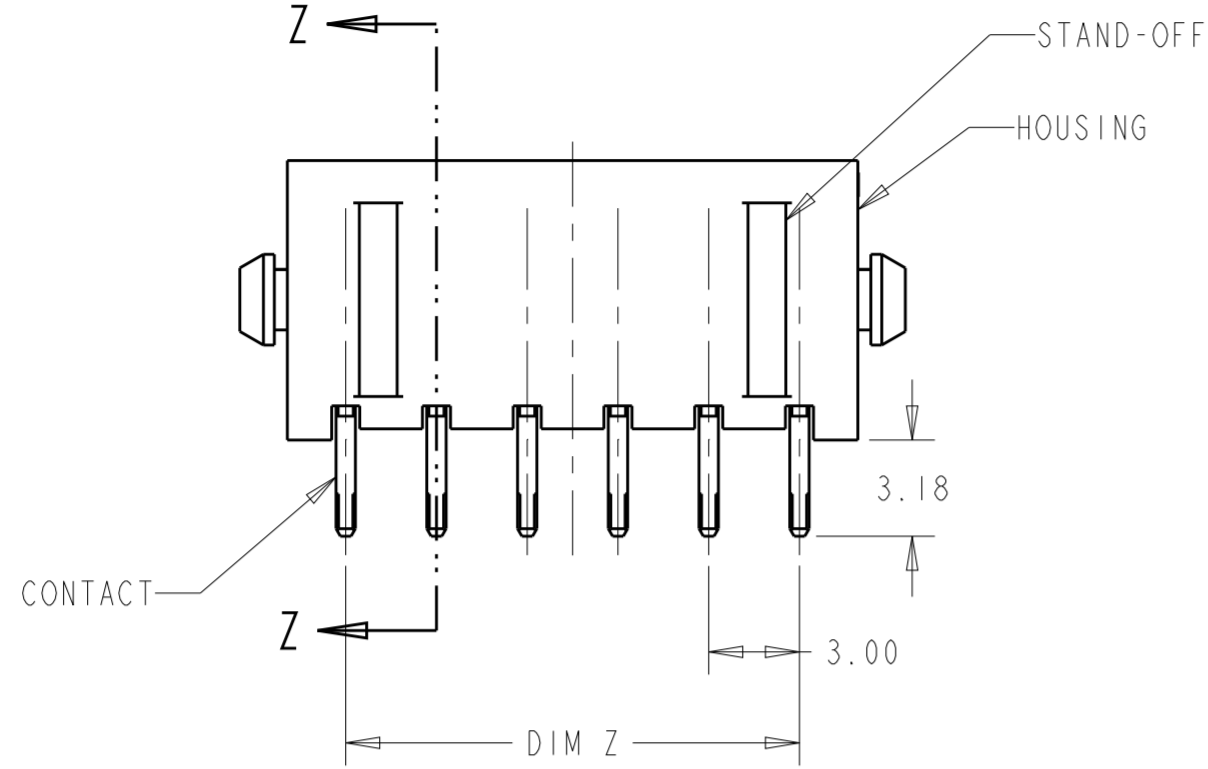
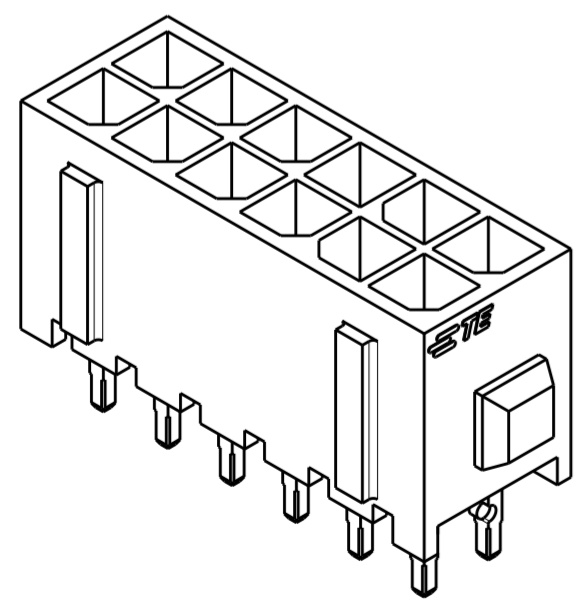
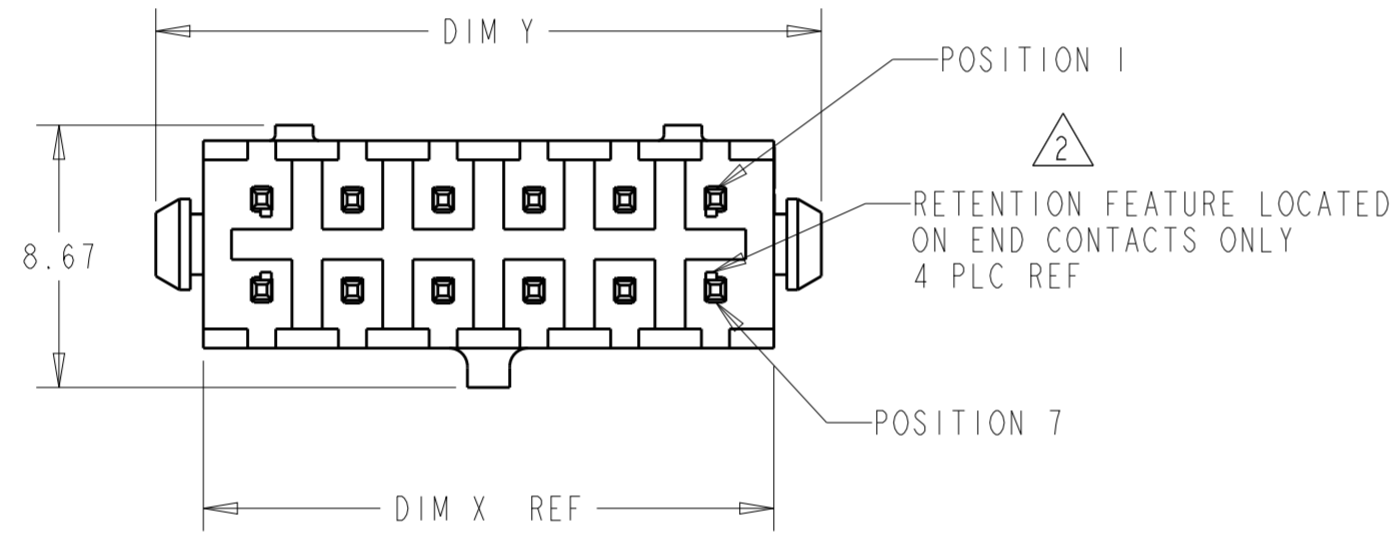


THIS DRAWING IS UNPUBLISHED. RELEASED FOR PUBLICATION
 © COPYRIGHT 20 ALL RIGHTS RESERVED.

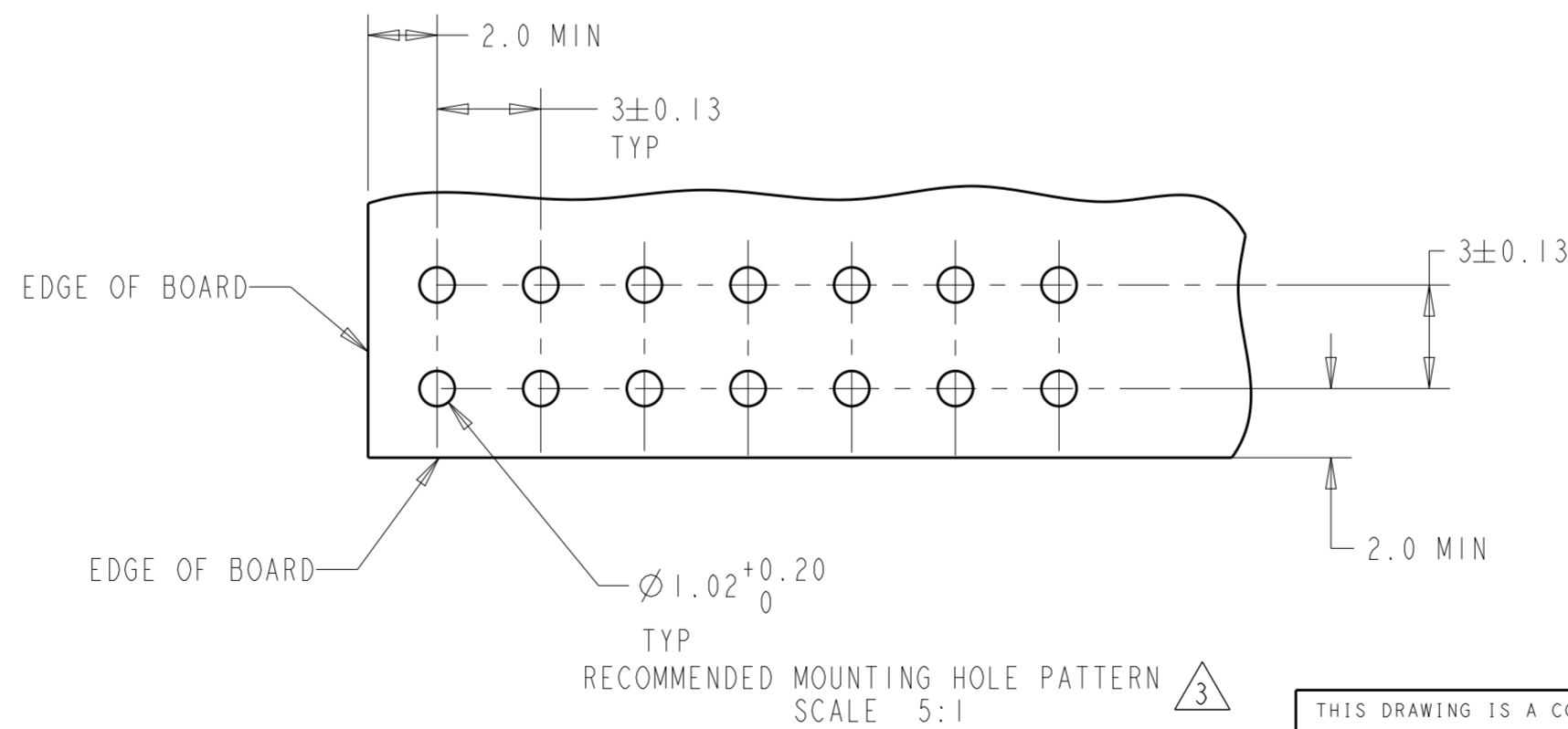
LOC	DIST	REVISIONS					
CM	00	P	LTR	DESCRIPTION	DATE	DWN	APVD
		B		REVISED PER ECO-15-005485	28JULY2015	SC	DZ



- 1 MATERIAL: HOUSING - NYLON, UL 94V-0, BLACK.
CONTACT - BRASS.
0.00254 MINIMUM TIN
0.00127 MINIMUM NICKEL ALL OVER.
- 2 MAXIMUM INSERTION 20 LBS.
- 3 RECOMMENDED BOARD THICKNESS 1.57.
- 4 PACKAGED ON TAPE AND REEL PER EIA-481 SPECIFICATION



3 DIMENSIONAL MODEL



1	22.00	15.00	18.86	12	4	2029304-1
FINISH	DIM Y	DIM Z	DIM X	NO. OF POSN.	ASSEMBLY	

THIS DRAWING IS A CONTROLLED DOCUMENT.		DWN 05APR2010 RAGHAVENDRA	TE Connectivity			
DIMENSIONS: mm [INCHES]		CHK 05APR2010 M. SARVER				
TOLERANCES UNLESS OTHERWISE SPECIFIED:		APVD 05APR2010 M. SARVER	NAME VERTICAL HEADER ASSEMBLY, THRU HOLE, TIN, DUAL ROW, MICRO MATE-N-LOK(TM)			
0 PLC ± 1 PLC ± 2 PLC ±0.20 [0.008] 3 PLC ± 4 PLC ±		PRODUCT SPEC -	SIZE A2		CAGE CODE 00779	DRAWING NO C-2029304
MATERIAL 1 - SEE TABLE		APPLICATION SPEC -	RESTRICTED TO -		SCALE 4:1	
		WEIGHT -	SHEET 1 OF 1		REV B	
		CUSTOMER DRAWING				