

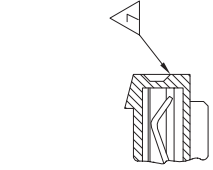
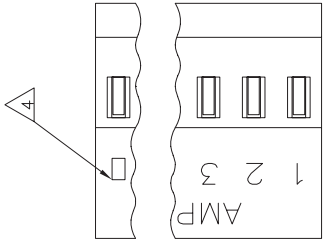
THIS DRAWING IS UNPUBLISHED.  
 © COPYRIGHT BY TYCO ELECTRONICS CORPORATION. ALL RIGHTS RESERVED.

RELEASED FOR PUBLICATION  
 BY TYCO ELECTRONICS CORPORATION.

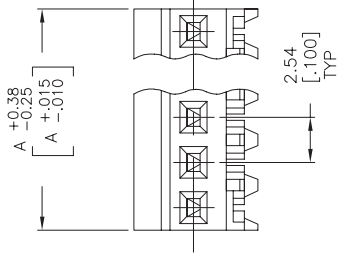
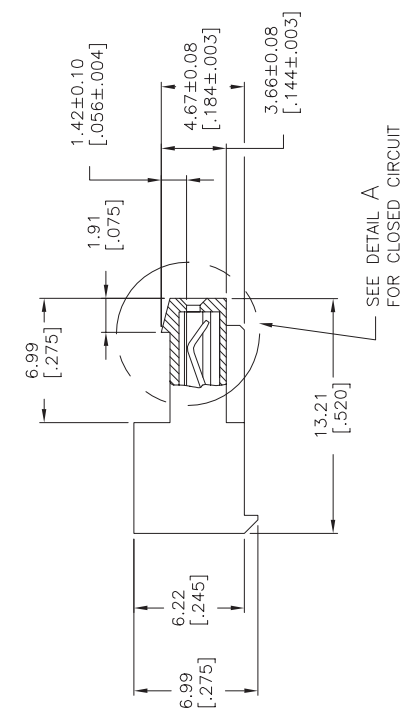
LOC  
 CM 00

DIST  
 P LTR R

REVISIONS  
 DESCRIPTION  
 REVISED PER ECO-07-003755  
 DATE  
 28FEB07  
 UN APD  
 KW DB



DETAIL A



TIN	22.86 [.900]	9	3-643588-9
TIN-LEAD	22.86 [.900]	9	643588-9
FINISH	DIM A	NO OF CIRCUITS	PART NO

- 1 MATERIAL: CONNECTOR - NYLON U194V-2 (WHITE).  
 CONTACTS - 0.30[.012] THICK COPPER ALLOY  
 MATTIE WHISKER MITIGATED TIN  
 0.00203[.000080] MIN THICKNESS  
 OVER NICKEL UNDERPLATE OR BRIGHT  
 TIN-LEAD 93/7 0.00203[.000080] MIN  
 THICKNESS. SEE FINISH COLUMN FOR  
 PLATING TYPE.
2. CONTACTS ACCEPT 24 AWG WIRE WITH 1.52[.060] MAX  
 INSULATION DIAMETER.
3. CONTACTS MUST ACCEPT 0.64±.03[.025±.001] SQUARE  
 POST AND REMAIN LOCKED IN POSITION.
4. IDENTIFICATION NUMBER FOR LAST CIRCUIT MAY  
 NOT APPEAR ON ALL ASSEMBLIES.
5. DIMENSIONS IN BRACKETS ARE IN INCHES.
6. HOUSING FEATURES ARE: CLOSED END WITH LOCKING  
 RAMP.
7. DETAIL A SHOWS CIRCUIT NO.7 MOLDED CLOSED.



THIS DRAWING IS A CONTROLLED DOCUMENT.

DESIGNER: B. LEWIS	DATE: 22 APR 91
CHK: G. MILLER	DATE: 22 APR 91
APPROVED: G. MILLER	DATE: 22 APR 91
PRODUCT SPEC: 108-1050	
APPLICATION SPEC: 114-1019	
WEIGHT: -	

OTHER REVISIONS:  
 0 P.L.C. ±  
 1 P.L.C. ±  
 2 P.L.C. ±  
 3 P.L.C. ±  
 4 P.L.C. ±  
 5 P.L.C. ±  
 6 P.L.C. ±  
 7 P.L.C. ±  
 8 P.L.C. ±  
 9 P.L.C. ±

FINISH: A

MATERIAL: A

SCALE: 5:1

CUSTOMER DRAWING: A2 00779 ©-643588

TYCO ELECTRONICS CORPORATION  
 HARRISBURG, PA 17105-3608

MTA-100 CONNECTOR ASSEMBLY,  
 24 AWG, NO.7 CIRCUIT CLOSED,  
 SPECIAL

RESTRICTED TO

643588