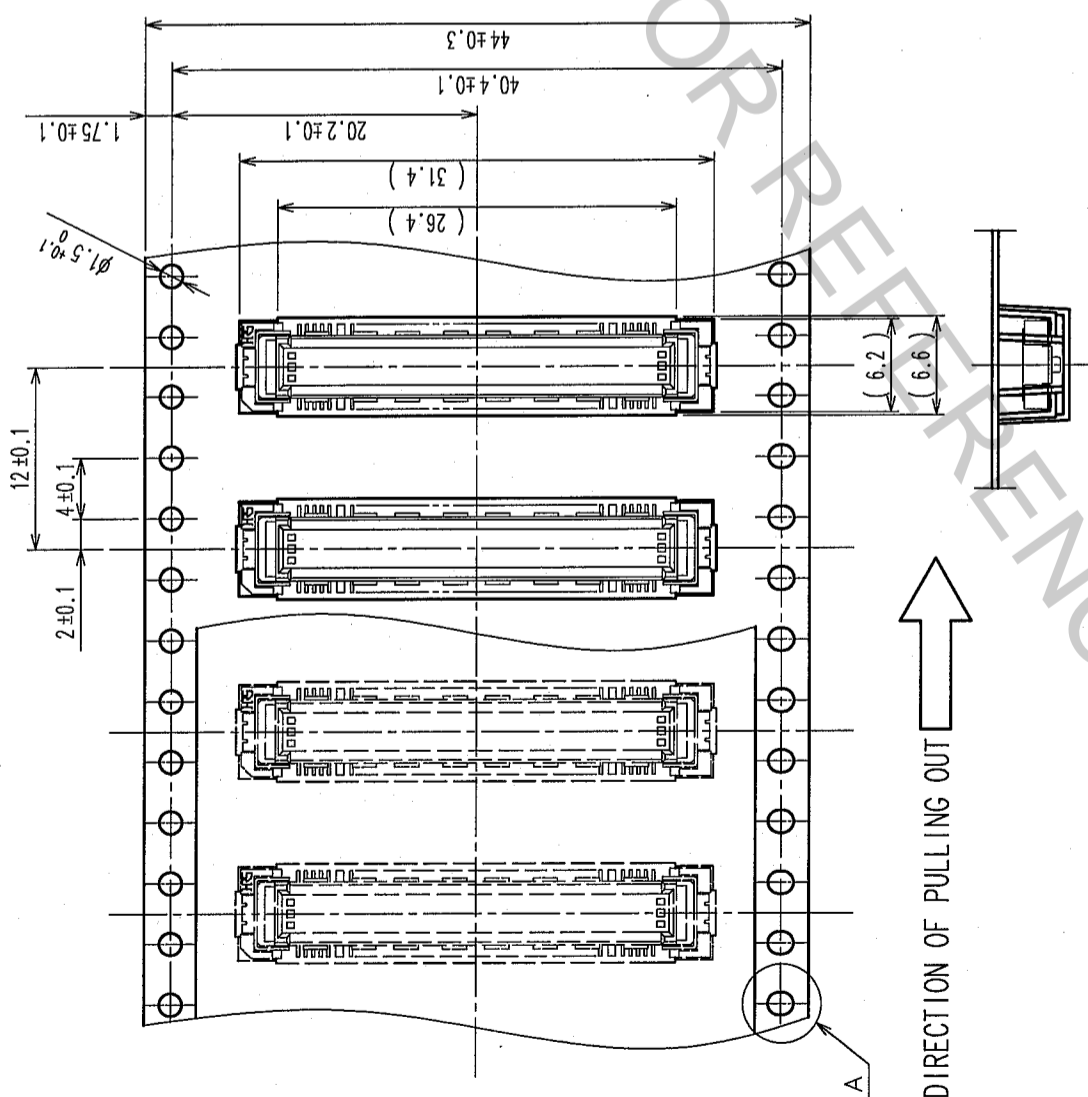
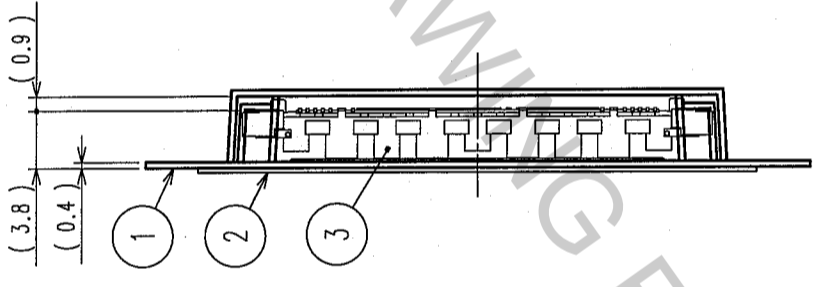
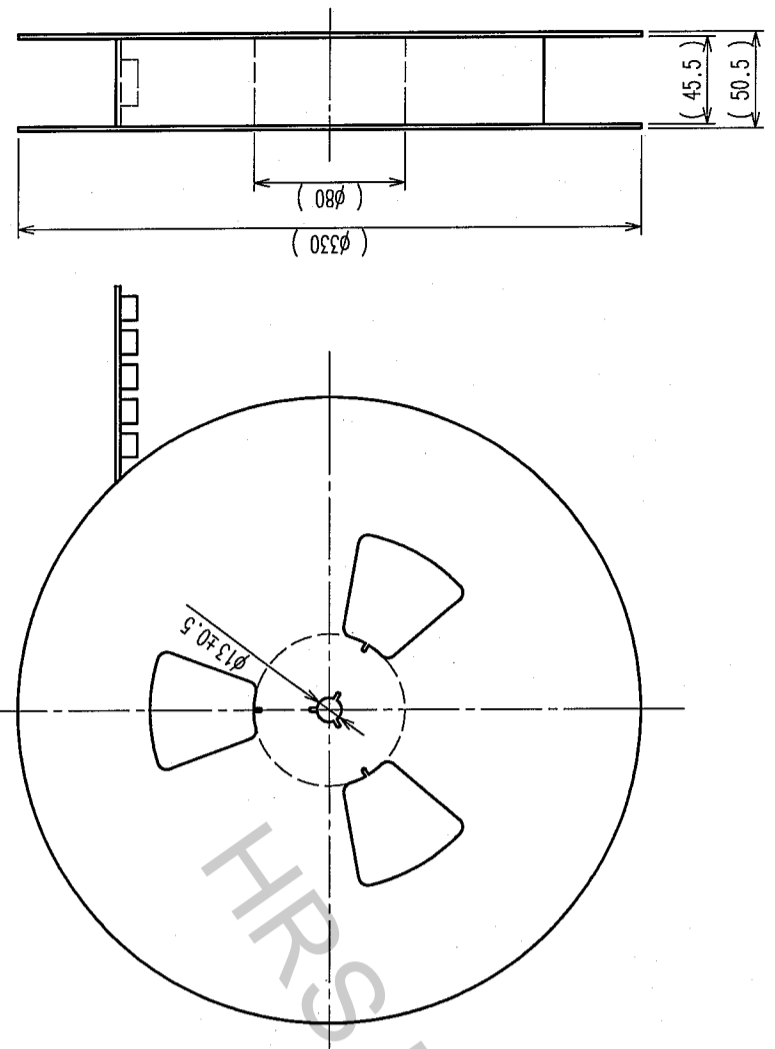




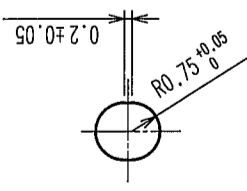
COUNT	DESCRIPTION OF REVISIONS	BY	CHKD	DATE	COUNT	DESCRIPTION OF REVISIONS	BY	CHKD	DATE
△					△				
△					△				
△					△				

REELED DIMENSION(Free)



THE DIRECTION OF PULLING OUT

A(5:1)



- NOTES
- 1 REEL: 1000 CONNECTORS.
  - 2 MINIMUM 10 COMPARTMENTS FROM BOTH REEL ENDS REMAIN EMPTY.
  - 3 THIS PRODUCT HAS NO POLARITY TO TAPE AND REEL PACKAGING.
  - 4 THE DIMENSIONS IN PARENTHESES ARE FOR REFERENCE.

POLYESTER		TOP COVER TAPE		EMBOSSED CARRIER TAPE		(CONNECTOR)	
NO.	MATERIAL	FINISH, REMARKS	NO.	MATERIAL	FINISH, REMARKS	DESIGNED	CHECKED
1	POLYSTYRENE		3			H. Doi	H. Okawa
CODE NO. (OLD)		DRAWING NO.		PART NO.		APPROVED	
CL		EDC3-151944-21		FX10A-80P/8-SV(91)		05-09-02	
DRAWING FOR PACKING		SCALE		CODE NO.		RELEASED	
		2:1		CL570-0001-5-91		05-09-02	
UNITS		mm		HIROSE ELECTRIC CO., LTD			

TO	
PCK	