

CY3676 EVALUATION KIT

The CY3676 Evaluation Kit enables quick and easy evaluation of Cypress's High Performance Programmable Oscillator – CY29412



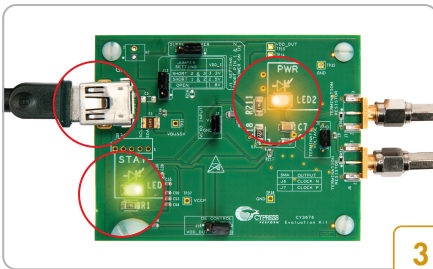
Kit Contents:

1. CY3676 Evaluation Board
2. USB Standard-A to Mini-B cable
3. Quick Start Guide (this document)

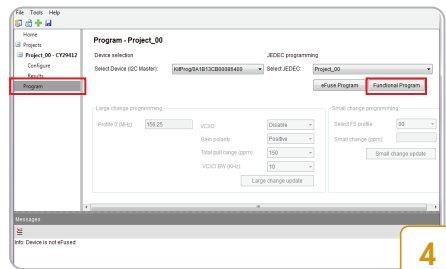


1 Download and install the latest kit software onto your PC from www.cypress.com/CY3676

2 Ensure the default position of the Jumpers as shown in the Table overleaf



3



4

- Connect the board to your PC using the provided USB cable
- The Power LED (Amber) and Status LED (Green) turn on

- Run the ClockWizard software.
- Open *CY3676_LVPECL_3p3_156p25.cpj* located in <Install_Directory>\CY3676 Evaluation Kit\<version>\Firmware\Example Projects
- Select **Program** and click on the **Functional Program** button

CY3676 EVALUATION KIT

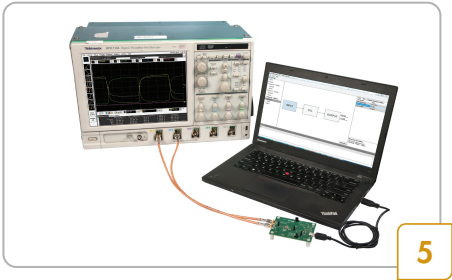


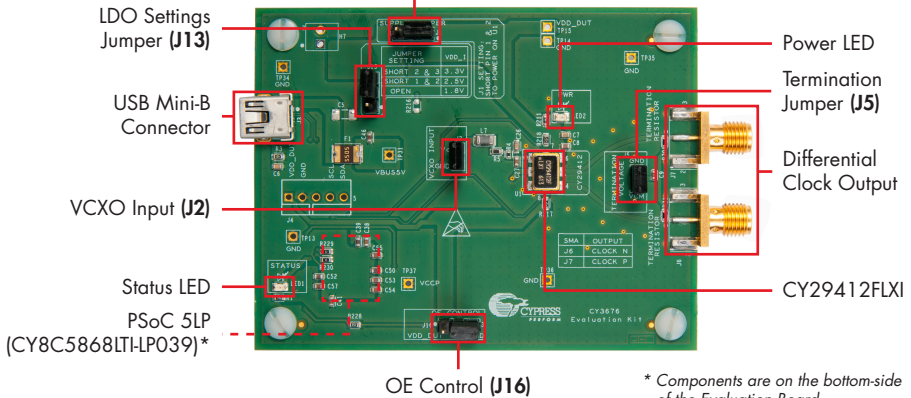
Table: Jumpers Default Position

Jumper	Purpose	Default Position
J1	Power on CY29412	1 - 2
J2	VCXO input set to GND	1 - 2
J5	Termination voltage set to GND	1 - 2
J13	LDO output set to 3.3V	2 - 3
J16	OE set to GND	2 - 3

- Connect J6 and J7 using SMA cables to an Oscilloscope to evaluate the programmed 156.25 MHz LVPECL Clock
- Refer to the **Example Projects** in the Kit Guide to evaluate different configurations and for instructions on programming the device

CY3676 Evaluation Board Details

Main Power Supply Jumper (J1)



* Components are on the bottom-side of the Evaluation Board