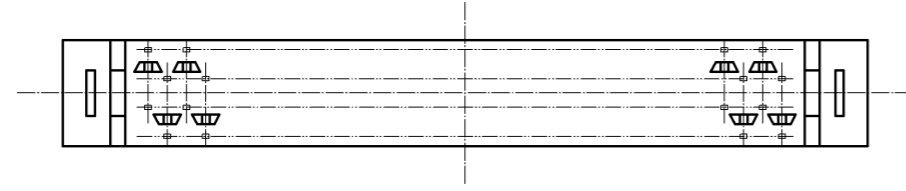
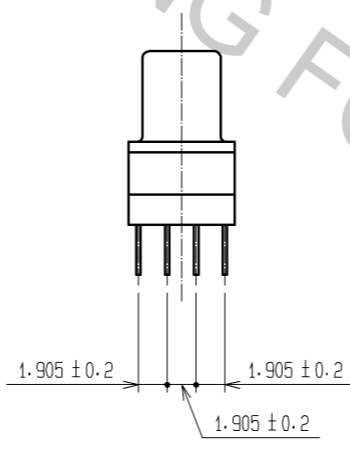
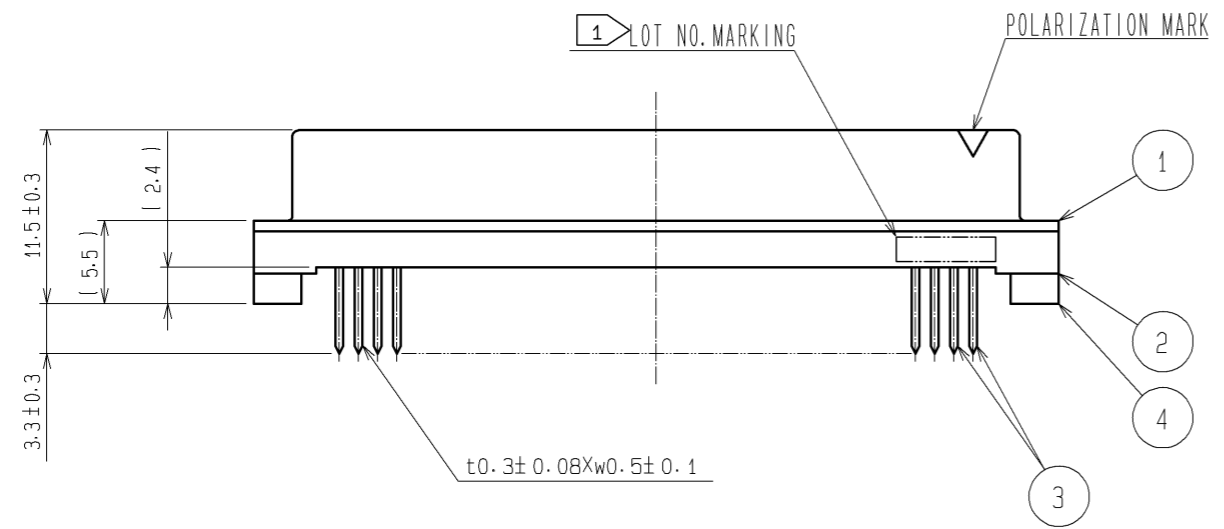
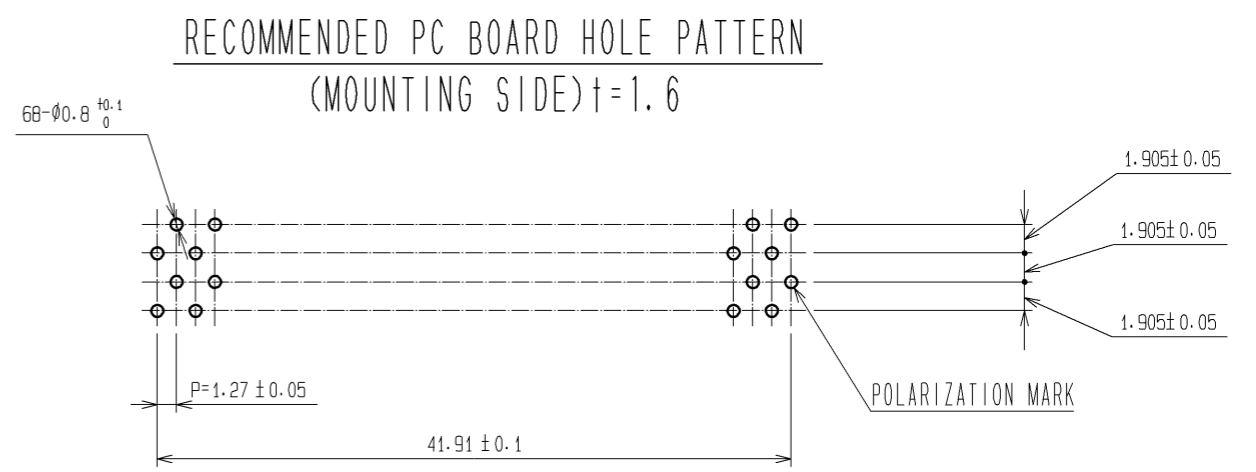
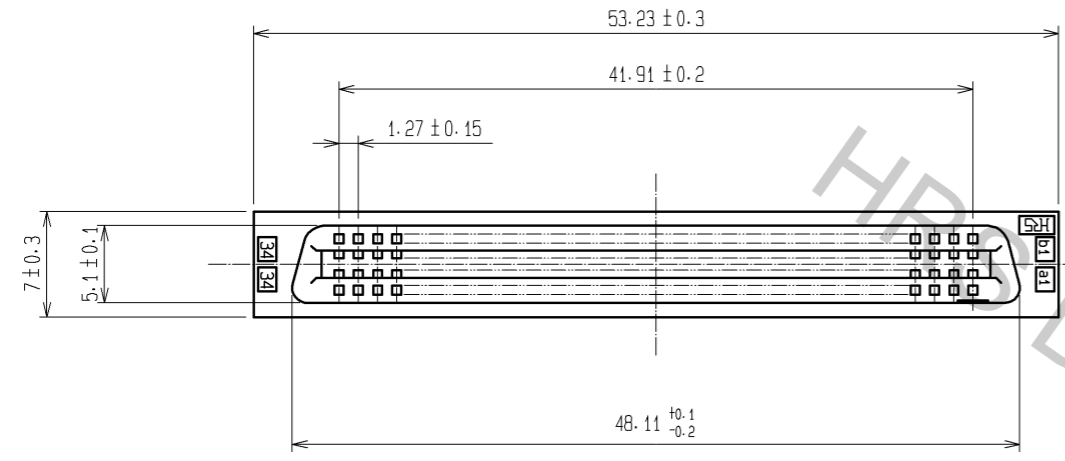


Apr.1.2017 Copyright 2017 HIROSE ELECTRIC CO., LTD. All Rights Reserved.



NOTES 1 LOT NO. MARKING SIDE SHALL BE OPTIONAL.
2. THE DIMENSIONS IN PARENTHESES ARE FOR REFERENCE.

1. 2. 4 POLYAMIDE		BLACK, UL94V-0		3	PHOSPHOR BRONZE	CONTACT AREA : GOLD 0.2μm min.		
NO. MATERIAL		FINISH, REMARKS				DIP AREA : TIN-PLATING 2μm min.		
						UNDER PLATING : NICKEL 2μm min.		
UNITS mm		SCALE 2 : 1	COUNT △	DESCRIPTION OF REVISIONS		DESIGNED	CHECKED	DATE
HRS HIROSE ELECTRIC CO., LTD.		APPROVED : HS. OKAWA	07.08.10	DRAWING NO.		EDC3-083216-21		
		CHECKED : HS. OZAWA	07.08.10	PART NO.		FX2C2-68S-1.27DSA(71)		
		DESIGNED : KY. NAKAMURA	07.08.10	CODE NO.		CL572-2426-8-71		
		DRAWN : TP. MATSUMOTO	07.08.09					