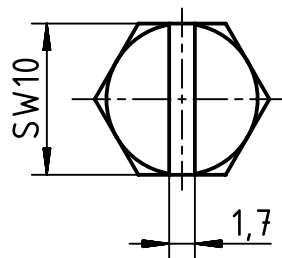
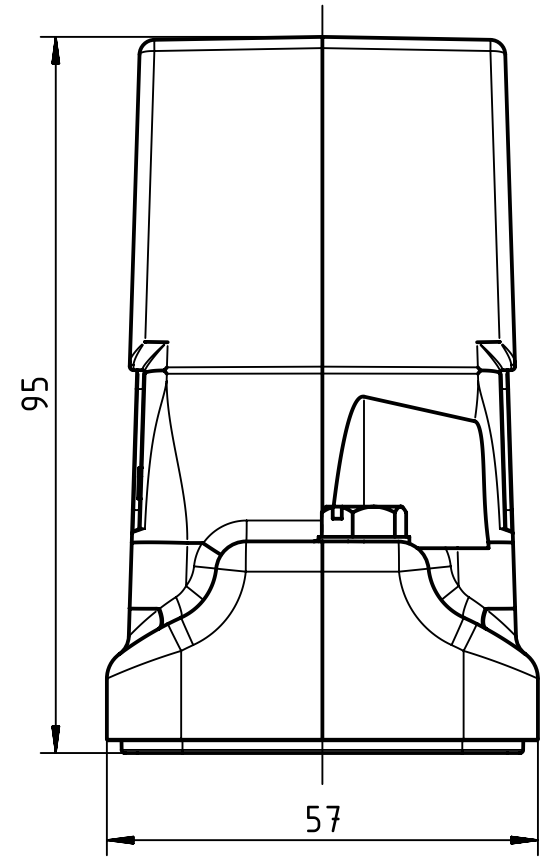
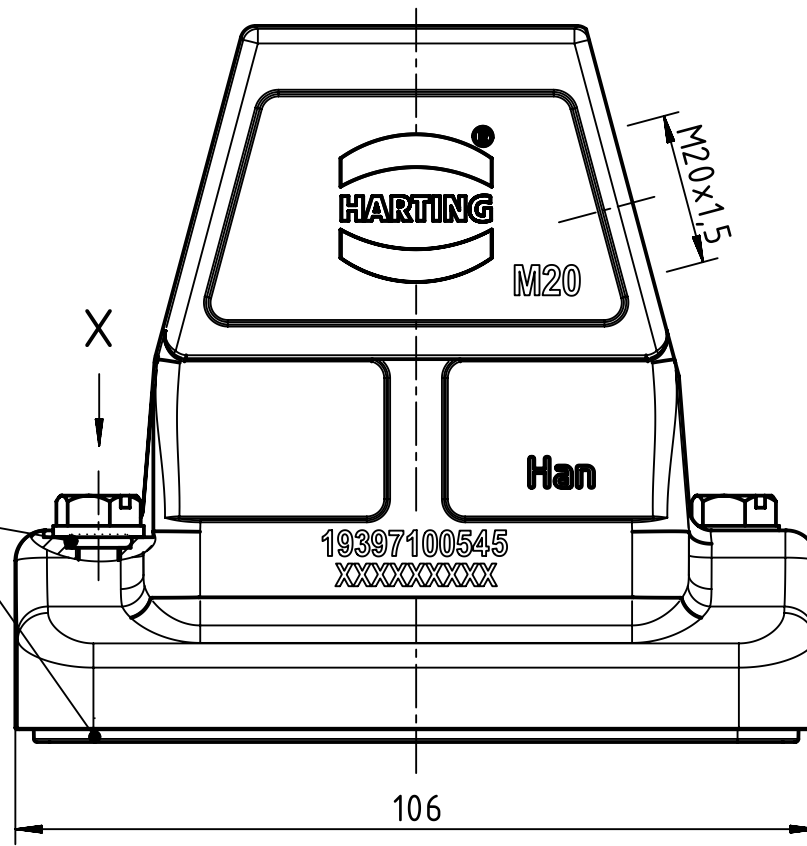


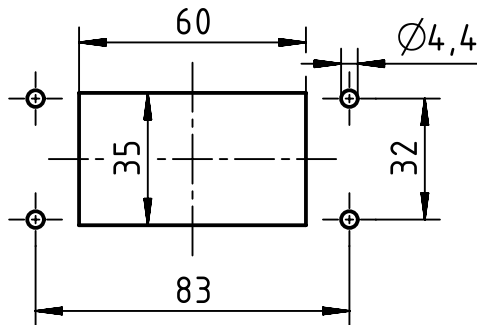
X (2:1)



Seal



Panel cut out (1:2)



	All rights reserved Department EL PD - CN HARTING (Zhuhai) Manufacturing Co., Ltd. 519085 Zhuhai, China	All Dimensions in mm Original Size DIN A4		Scale 1:1	Free size tol.	Ref. Sub.
		Created by LONGL	Inspected by WENE	Standardisation SCHMIDTM	Date 2017-03-20	State Final Release
Title Han 10HP Direct/M-HSE-M20					Doc-Key / ECM-Nr. 100664306/UGD/002/C 500000116977	
Type TB		Number 19 39 710 0545			Rev. C	Page 1/1