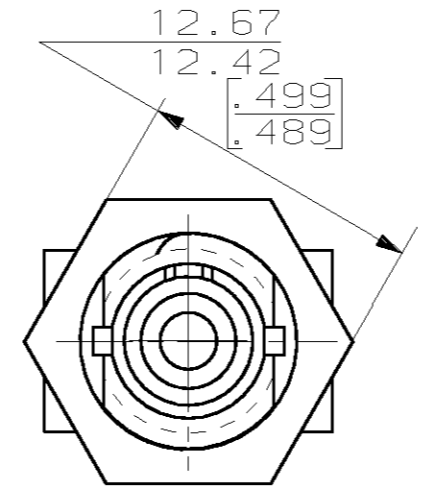
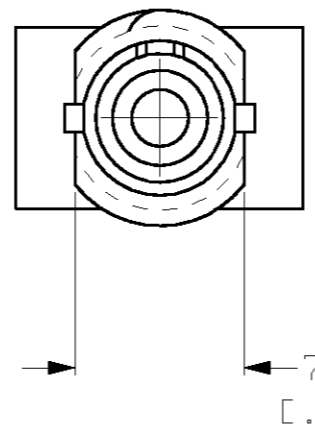
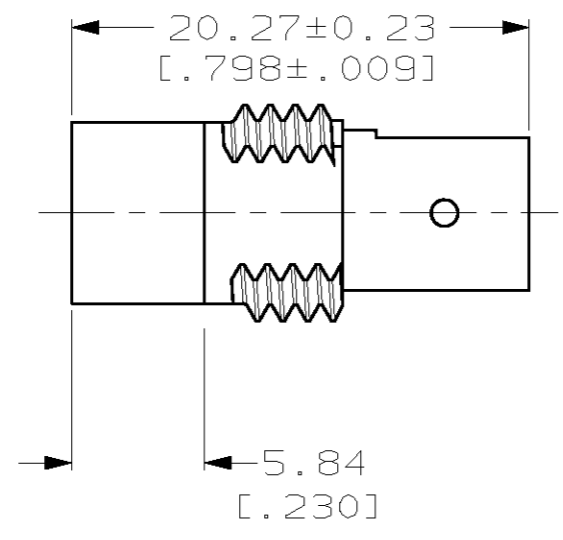
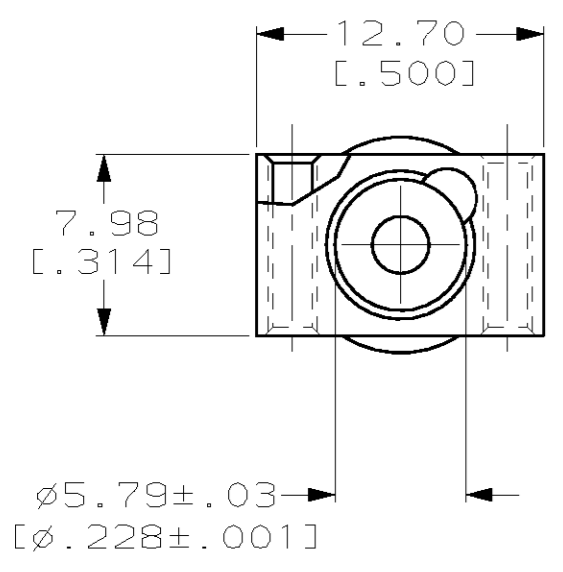
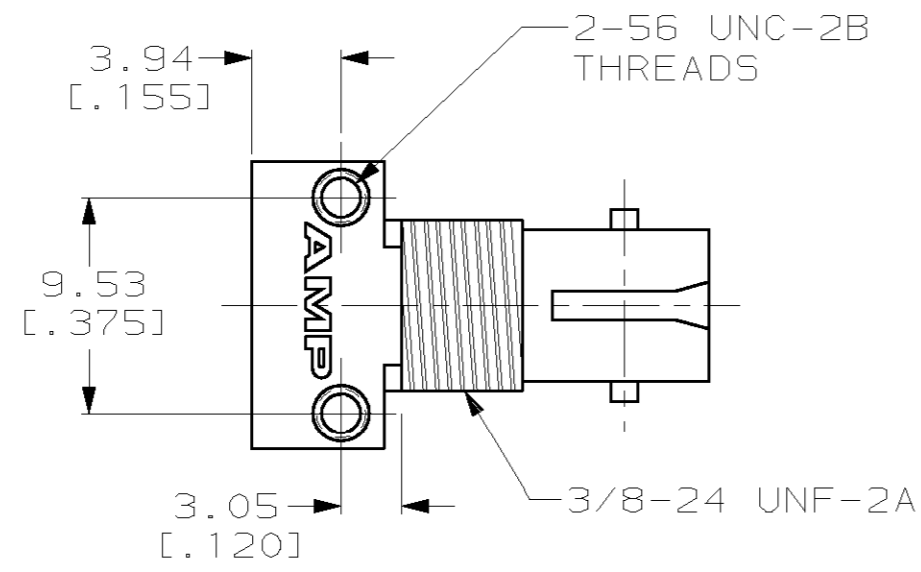
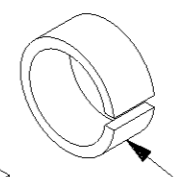
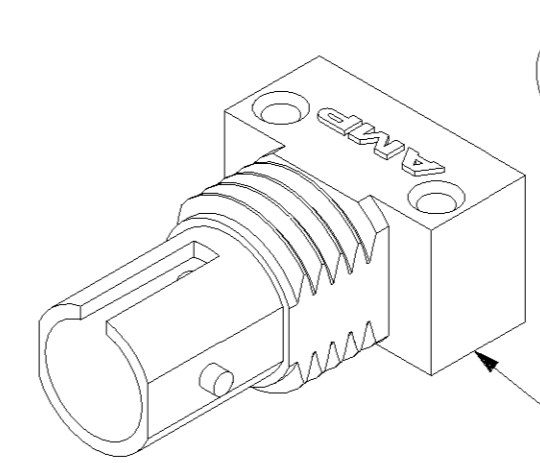


THIS DRAWING IS UNPUBLISHED. RELEASED FOR PUBLICATION .19
 (C) COPYRIGHT 19 BY AMP INCORPORATED. ALL RIGHTS RESERVED.

LOC	DIST	REVISIONS			
P	LTR	DESCRIPTION	DATE	DWN	APVD
CE	16	G	REDRAWN AND REV PER EC 0A00-0895-99	30NOV99	TG L5

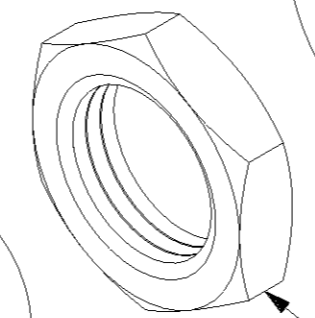


WITH JAM NUT



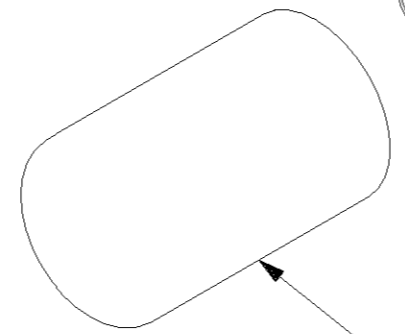
ALIGNMENT SLEEVE

ADM BODY

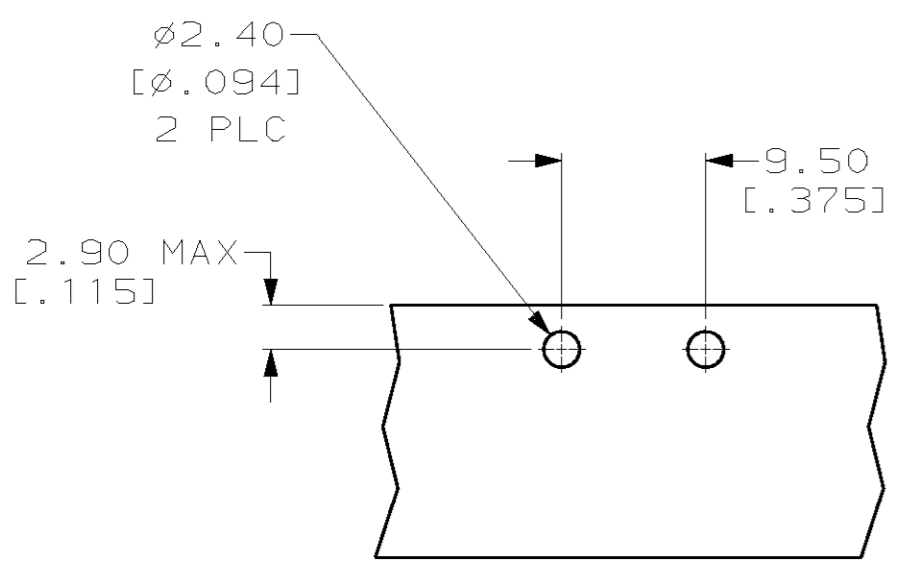


HEX NUT

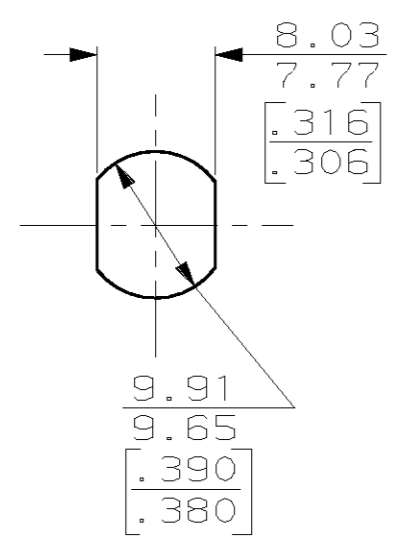
LOCK WASHER



DUST COVER



PC BOARD MOUNTING HOLE PATTERN



SUGGESTED PANEL CUTOUT

- 1 BULK PACKAGED IN QUANTITIES OF 50 PC.
- 2. DIMENSIONS IN [] ARE IN INCHES.
- 3 KIT COMES WITH NO NUT,NO WASHER.

3	504022-5
OBSOLETE	504022-4
1	504022-3
	504022-2
OBSOLETE	504022-1
	PART NO

THIS DRAWING IS A CONTROLLED DOCUMENT.		DWN E. HALEY 9/24/92	AMP Incorporated Harrisburg, PA 17105-3608	
DIMENSIONS: mm [INCHES]		CHK P. YEAGER 9/29/92	NAME D. FISHER	
TOLERANCES UNLESS OTHERWISE SPECIFIED:		APVD 9/29/92	PRODUCT SPEC	
0 PLC ±-		APPLICATION SPEC		
1 PLC ±-		WEIGHT		
2 PLC ±.13 [.005]		SCALE NTS		
3 PLC ±-		SHEET 1 OF 1		
4 PLC ±-		REV G		
ANGLES ±-		CUSTOMER DRAWING		
FINISH -		SIZE CAGE CODE DRAWING NO RESTRICTED TO		
		A2 00779 C-504022		

KIT, ADM, STC