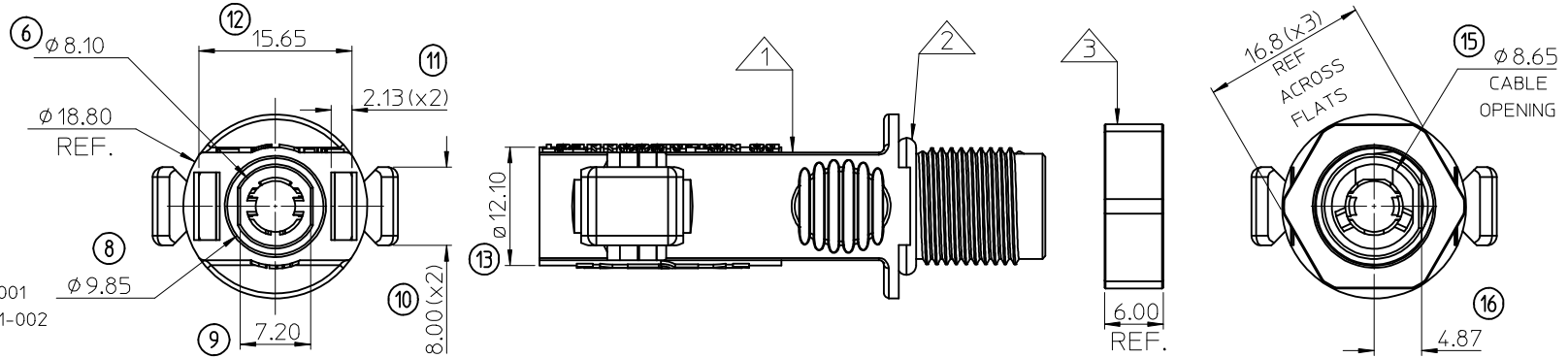


CONTACT USED: SEE SD-93302-001



- NOTES:
1. MATERIALS: SEE TABLE
 2. FINISHES: SEE TABLE
 3. PRODUCT SPECIFICATION: PS-93301-001
 4. PACKAGING SPECIFICATION: PK-93301-002
 5. MATES WITH: 130244-1201/1203
 6. ASSEMBLY IS ROHS COMPLIANT
 7. ASSEMBLY IS DELIVERED WITH PANEL NUT LOOSE IN BAG.
 8. FOR DUSTCAPS PLEASE REFER TO SD-93301-009

LAST INSPECTION No: 18
 REMOVED INSPECTION No'S: (7) (14)

ITEM	QTY	DESCRIPTION	MATERIAL	FINISH
3	1	PANEL NUT	POLYCARBONATE(PC)	BLACK
2	1	O-RING PANEL SEAL	SILICONE	DARK GREY
1	1	PIN HOUSING	POLYCARBONATE(PC)	BLACK

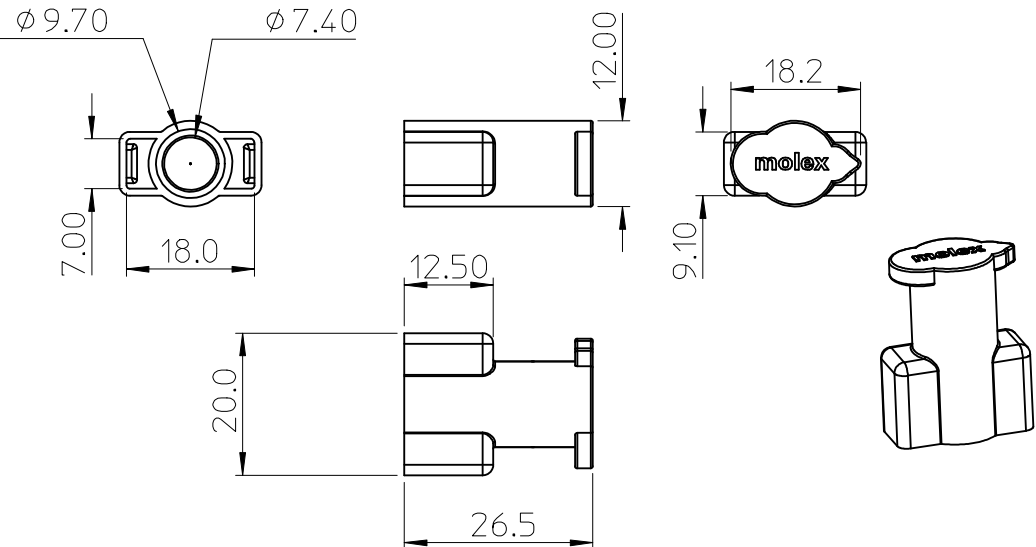
F.P.I.R. UPDATES	EC NO: IPG2012-0274	2011/09/20
DRW:DBYRNES	2011/09/20	
CHKD:SMCGREEVY	2012/11/29	
APPR:STORIFFIN	2013/03/05	

QUALITY SYMBOLS	GENERAL TOLERANCES (UNLESS SPECIFIED)	DIMENSION STYLE	SCALE	DESIGN UNITS	THIRD ANGLE PROJECTION
▽=0 ◁=0	mm INCH	MM ONLY	2:1	METRIC	THIRD ANGLE PROJECTION
	4 PLACES ± --- ± ---	DRAWN BY	DATE	TITLE	
	3 PLACES ± --- ± ---	DBYRNES	2011/06/22	SOLARSPEC PANEL MOUNT DC	
	2 PLACES ± 0.15 ± ---	CHECKED BY	DATE	PIN ASSY CONNECTOR	
	1 PLACE ± 0.25 ± ---	SMCGREEVY	2011/08/16	14 - 10 AWG	
	ANGULAR ± 2 °	APPROVED BY	DATE	MOLEX INCORPORATED	
		EFOLAN	2011/08/26	MATERIAL NO. 933010201	
				DOCUMENT NO. SD-93301-003	
				SHEET NO. 1 OF 1	

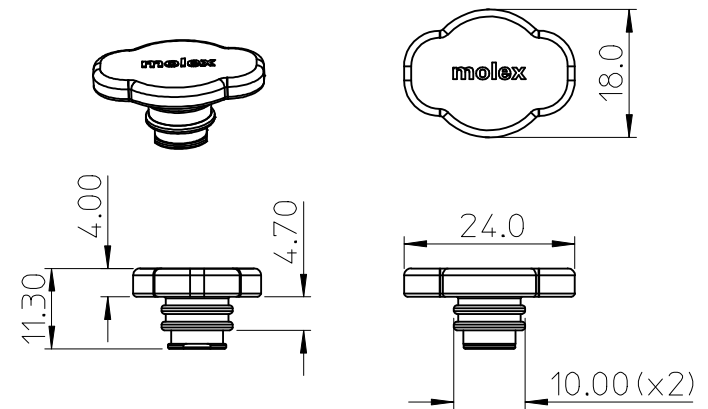
DRAFT WHERE APPLICABLE
 MUST REMAIN
 WITHIN DIMENSIONS

SIZE	THIS DRAWING CONTAINS INFORMATION THAT IS PROPRIETARY TO MOLEX INCORPORATED AND SHOULD NOT BE USED WITHOUT WRITTEN PERMISSION				
A3					

93301-9001



93301-9002



NOTE'S

1. MATERIAL - SILICONE NE-7150
2. PARTS MUST BE RoHS COMPLIANT.
3. SUITABLE FOR USE WITH MOLEX SERIES 93301 & 130244 SOLARSPEC CONNECTORS.
4. PACKAGING SPECIFICATION: SEE CHART.

PART No.	DESCRIPTION	PKG SPEC
93301-9001	FEMALE SOCKET DUST CAP.	PK-93301-011
93301-9002	MALE PIN DUSTCAP.	PK-93301-012

ORIGINAL RELEASE EC NO: IPG2013-0910 DRWN:DBYRNES 2012/09/18 CHKD:CKNOWLES 2012/12/14 APPR:STGRIFFIN 2012/12/14	DESCRIPTION A	QUALITY SYMBOLS	GENERAL TOLERANCES (UNLESS SPECIFIED)	DIMENSION STYLE	SCALE	DESIGN UNITS	THIRD ANGLE PROJECTION	
		▼=0 ◻=0	mm INCH 4 PLACES ± --- ± --- 3 PLACES ± --- ± --- 2 PLACES ± 0.25 ± --- 1 PLACE ± 0.38 ± --- 0 PLACE ± --- ± ---	MM ONLY	1:1	METRIC	☉ □	
			ANGULAR ± 2 °	DRAWN BY DATE	TITLE	93301 SERIES SOLARSPEC DUSTCAPS		
			DRAFT WHERE APPLICABLE MUST REMAIN WITHIN DIMENSIONS	DBYRNES 2012/09/18				
						MATERIAL NO.	DOCUMENT NO.	SHEET NO.
				SEE CHART	SD-93301-009	1 OF 1		

