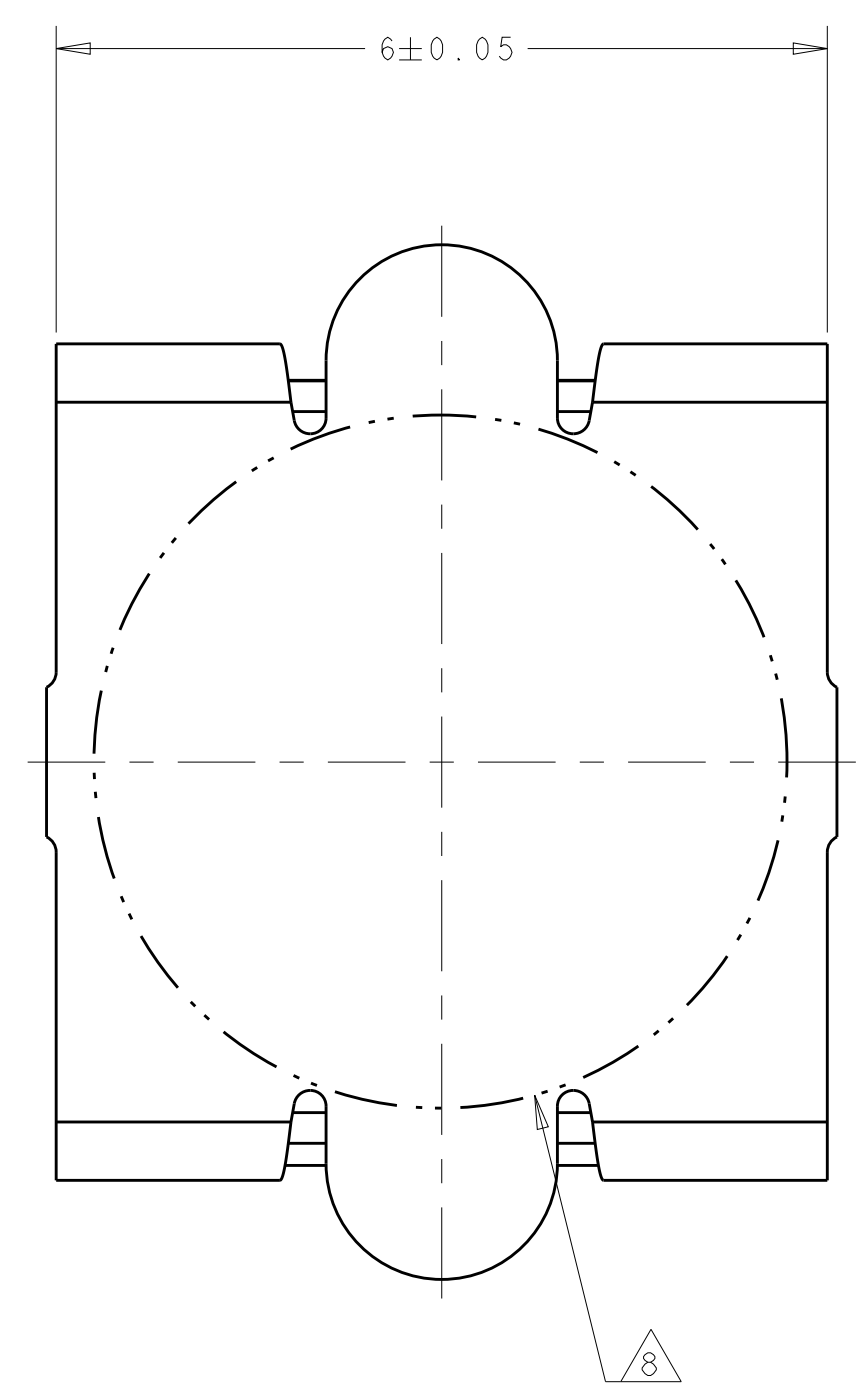
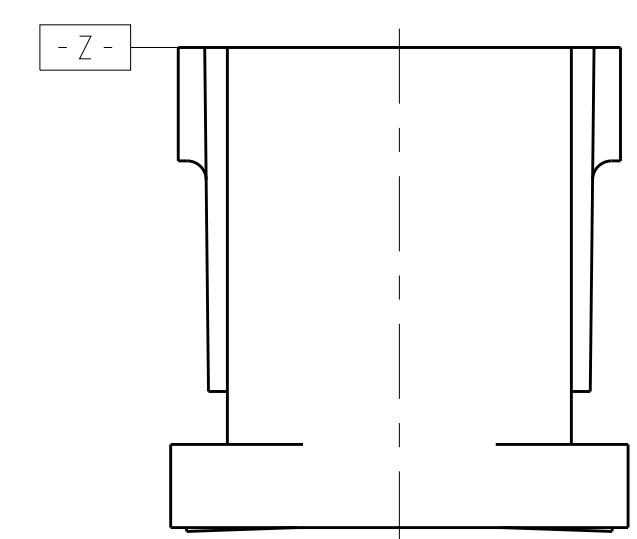
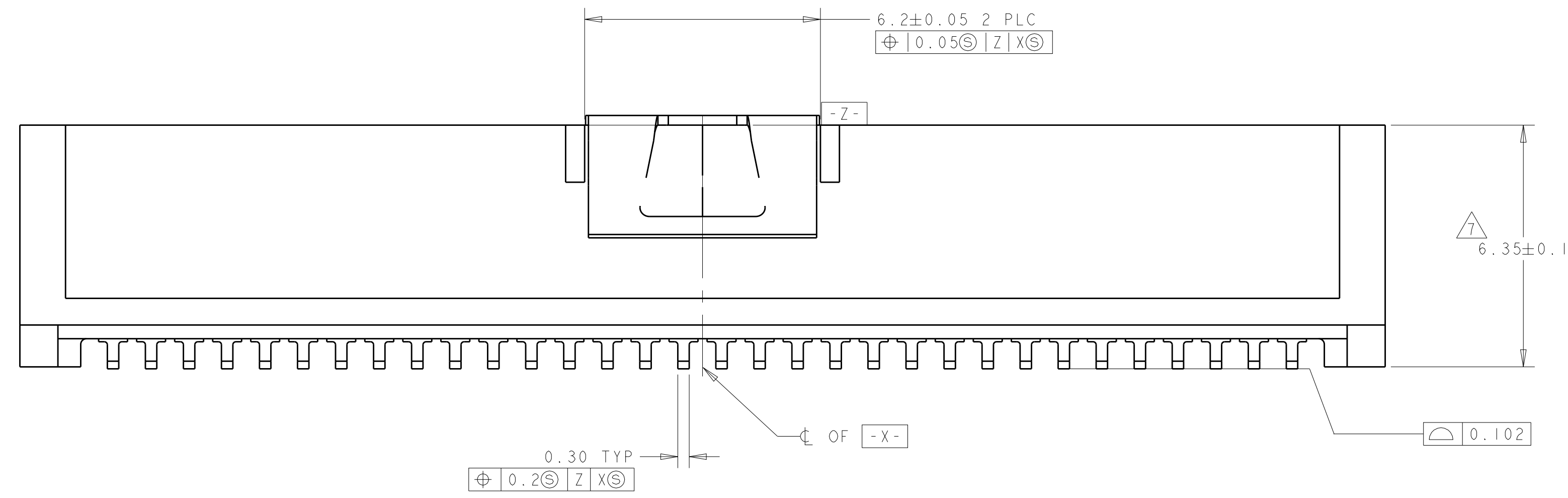
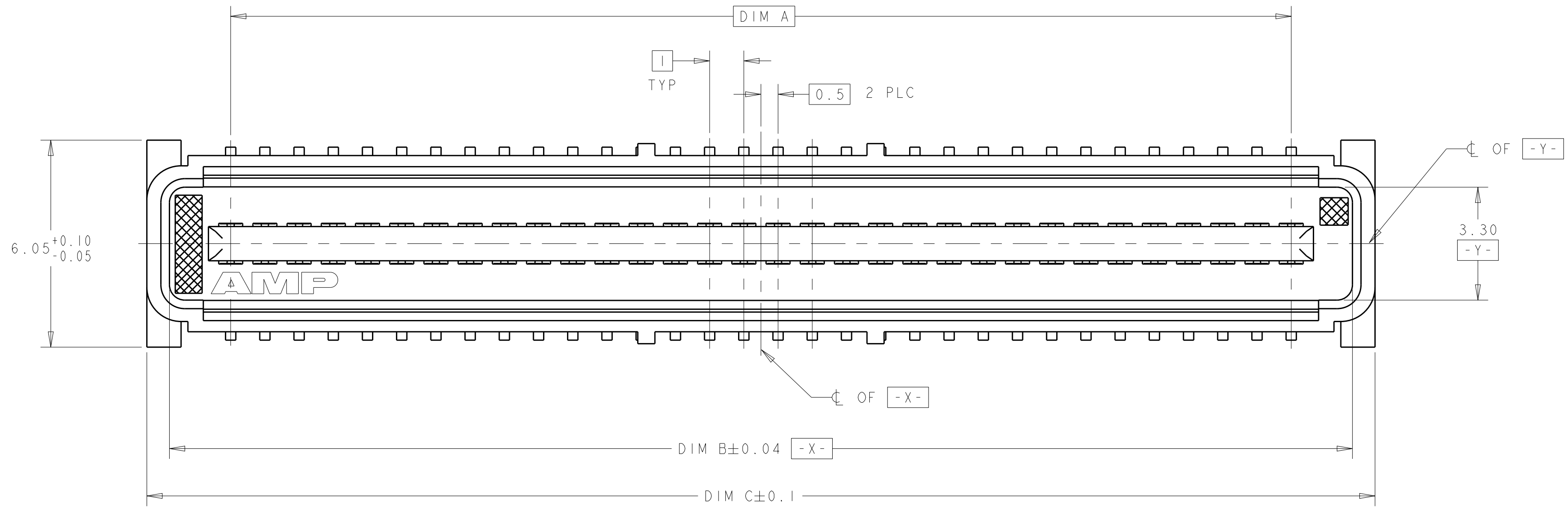
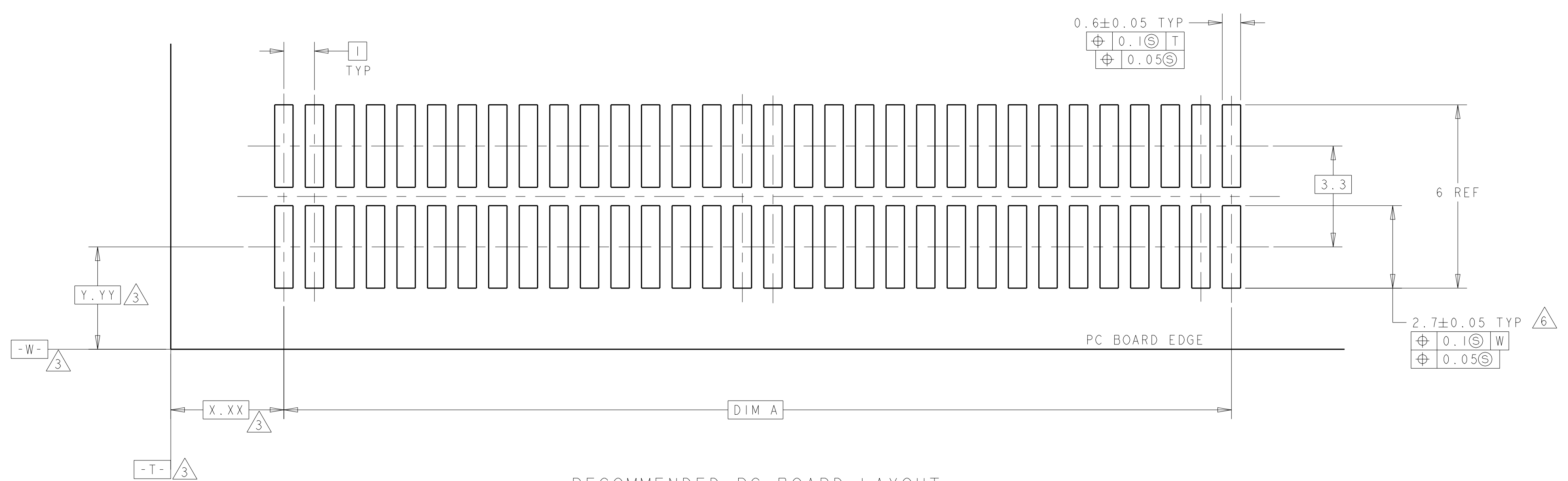


LOC	DIST	REVISIONS					
		P	LTN	DESCRIPTION	DATE	DMN	APVD
AD	00	J		REVISED PER ECR-14-016951	11FEB2015	J.T	W.H



VACUUM COVER



RECOMMENDED PC BOARD LAYOUT

- 1. HOUSING MATERIAL: LIQUID CRYSTAL POLYMER COLOR: BLACK. CONTACT MATERIAL: PHOSPHOR BRONZE.
- 2. CONTACT FINISH: NICKEL UNDERPLATE ALL OVER, MATING SURFACES PLATED TO MEET PLI PERFORMANCE REQUIREMENTS OF INDUSTRY SPECIFICATION EIA-700AAAB, SOLDER TAILS PLATED TIN-LEAD.
- 3. DATUM LOCATIONS AND BASIC DIMENSIONS TO BE ESTABLISHED BY THE CUSTOMER. CONSULT AMP ENGINEERING WHEN PLACING MULTIPLE CONNECTORS ON A PC BOARD.
- 4. PACKAGED IN TAPE ON REEL PER EIA-481.
- 5. VACUUM COVER DESIGNED FOR 4mm DIA. NOZZLE. VACUUM COVER TO BE REMOVED AFTER SOLDERING. VACUUM COVER REMOVED FROM SOME VIEWS FOR DIMENSIONAL CLARITY.
- 6. SHORTER SOLDER LANDS MAY BE USED PER EIA 700AAAB, HOWEVER 2.7 LENGTH ASSURES OPTIMUM SOLDER FILLET REGARDLESS OF MANUFACTURER OF CONNECTOR.
- 7. REFERRED TO AS DIM N IN EIA 700AAAB SPECIFICATION.
- 8. 5.5 MIN DIAMETER TARGET AREA FOR VACUUM PICK-UP. CONTACT FINISH: 0.002 MINIMUM BRIGHT TIN-LEAD (93-7) ON SOLDER AREA, 0.00127 MINIMUM GOLD ON MATING AREA, BOTH OVER 0.00127 MINIMUM NICKEL ON ENTIRE CONTACT.
- 9. OBSOLETE PART NUMBER.

FINISH	DIM C	DIM B	DIM A	MATING CONNECTOR	STACK HGTS	POS	PART NO
8	45.9	44.58	41	120528-2	8	84	1-120532-2
8	35.9	34.58	31	120528-1	8	64	1-120532-1
2	45.9	44.58	41	120528-2	8	84	120532-2
2	35.9	34.58	31	120528-1	8	64	120532-1

THIS DRAWING IS A CONTROLLED DOCUMENT. DMN J. REED 2/11/97
 CHK L. VO 2/11/97
 APVD - NAME

TE Connectivity

PRODUCT SPEC: 502-1079
 APPLICATION SPEC: 114-25045
 WEIGHT: -
 CUSTOMER DRAWING

PLUG ASSEMBLY, W/ COVER, 1.0mm FH (IEEE1386) CONNECTOR

SIZE: 114-25045
 CAGE CODE: 114-25045
 DRAWING NO: A100779
 RESTRICTED TO: -

SCALE: 17:1 SHEET: 1 OF 1 REV: J