

H G F E D C B A

4

3

2

1

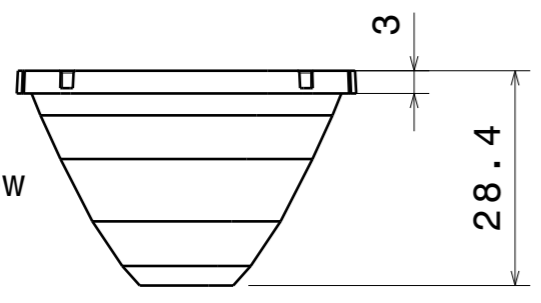
4

3

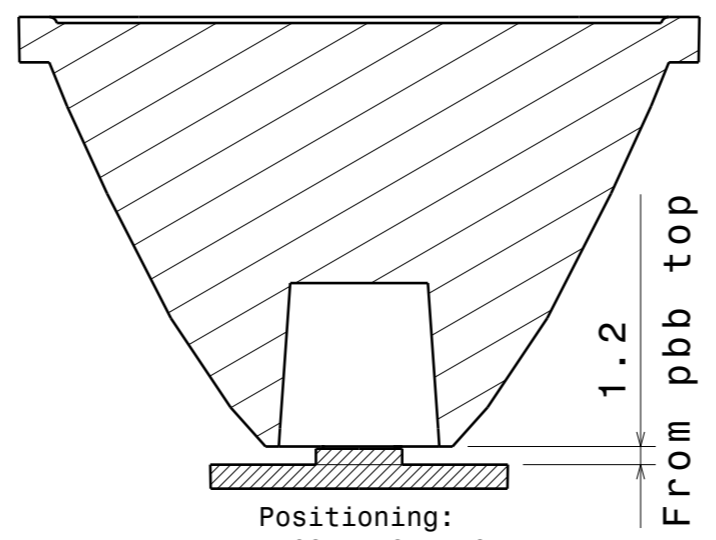
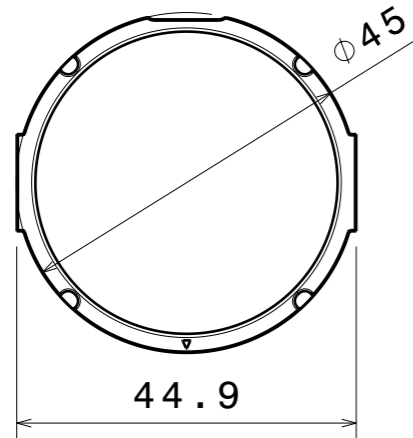
2

1

Front view

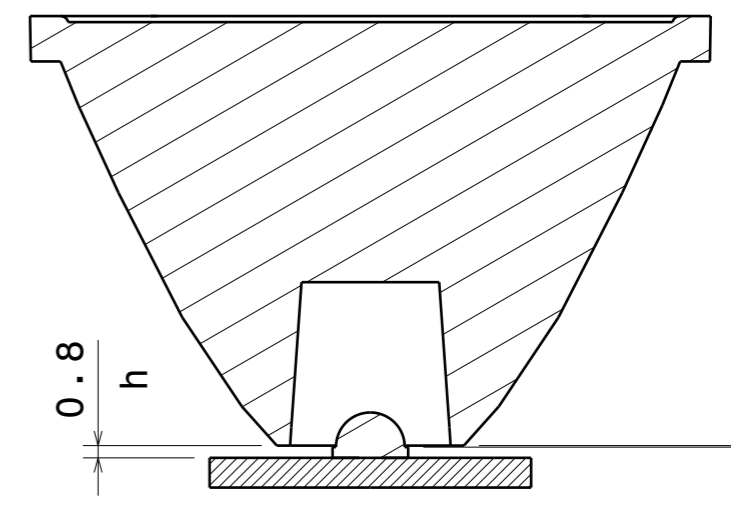


Top view



Positioning:
 - OSRAM SMT RGB
 - LUXEON Z RGB

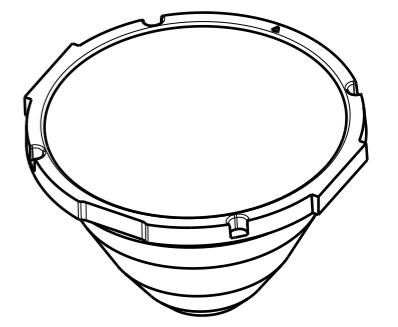
1.2
 From pcb top



Typical positioning:
 - Dimension h (0,8) depends on led-type chosen.
 - Dimension h is adjusted to meet 0.1mm suggestion unless mechanical fitting is not harmed.
 - Cree XM-L RGBW drawn

0.8
 h
 0.1
 from led base top

Isometric view



INDEX	PART NO	DESCRIPTION	MATERIAL	COLOUR
1	C13185	GERI-RZ	PMMA 8N	

Tolerances if not otherwise shown
 According to DIN ISO 2768-1
 Linear measures:
 Up to 30mm class F, otherwise class M.
 According to DIN ISO 2768-2
 Form and position: class K

LEDiL LediL Oy
 Salorankatu 10
 FIN 24240 SALO
 Finland

THIRD ANGLE PROJECTION:

DRAWING TITLE
GERI-RZ

This drawing is the property of LEDiL Oy. It may not be reproduced, copied or communicated without a written agreement with LEDiL Oy."

SIZE **A3** PART NUMBER **C13185**

SCALE 1:1 WEIGHT SHEET 1/1

H G B A