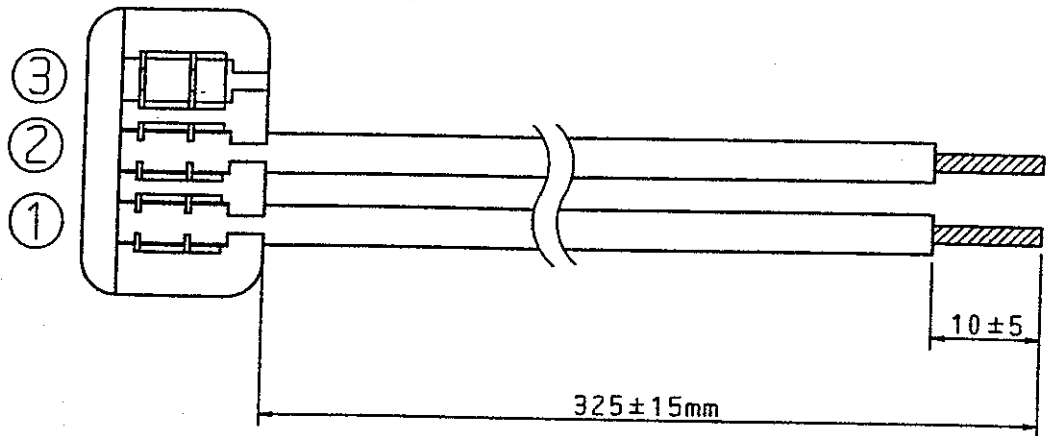


P11031-ND (FL-ZLA609)



Lead Wire:UL 1061 AWG26

Connector:AMP 173977-3

Pin No.	Connector Position	Color
1	⊕	Red
2	⊖	Black
3	Open	

						Model	FBA TYPE
						Name	Lead Wire Assembly
						No.	
Scale	Designed	Drawn	Checked	Checked	Approved		

CAD  
MATSUMOTO  
99.07.25

