

Single-phase energy meter with Rogowski coil sensors based on the STPM01 and STM8L MCU

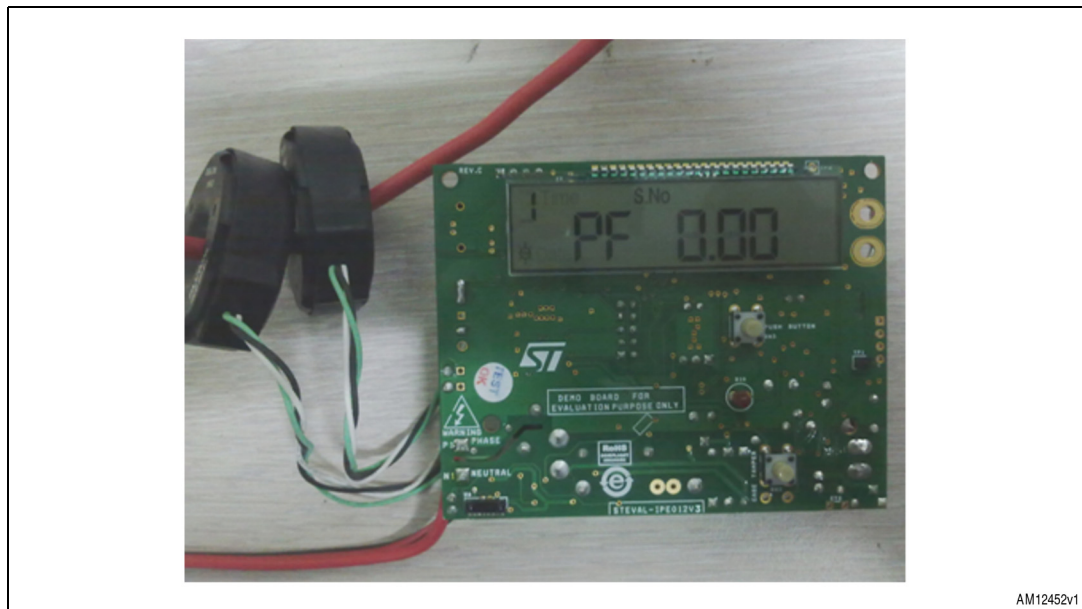
Introduction

This document describes the functioning of a single-phase energy meter with Rogowski coil sensors based on the STPM01 and STM8L MCU. The demonstration board solution is a fully functional single-phase solution with parameter display, tamper management, maximum demand (MD) calculation, EEPROM data logging and low-power management.

Meter specifications:

- Accuracy: class 1 with dynamic range 200:1
- Nominal voltage: 240 V
- Nominal current: 10 A (I_{TYP})
- Maximum current: 80 A (I_{MAX})
- Operating range: 0.6 Vb to 1.2 Vb
- Meter constant: 1600 impulses/kWh
- Power frequency range: 45 Hz to 65 Hz
- Sensor: primary side Rogowski coil and secondary side Rogowski coil

Figure 1. Single-phase energy meter with Rogowski coil sensors based on the STPM01 and STM8L MCU



Contents

| | | |
|----------|--|-----------|
| 1 | Features | 5 |
| 2 | Overview | 6 |
| | 2.1 Safety rules | 6 |
| | 2.2 Recommended reading | 6 |
| | 2.3 Getting technical support | 6 |
| 3 | Getting started | 7 |
| | 3.1 Package | 7 |
| | 3.2 Hardware installation | 7 |
| | 3.3 Software installation | 8 |
| | 3.3.1 System requirements for demonstration GUI | 8 |
| 4 | Hardware layout | 9 |
| 5 | Hardware details | 10 |
| | 5.1 Metering IC U1 | 10 |
| | 5.1.1 Clocking Y1 | 10 |
| | 5.2 Microcontroller U2 | 10 |
| | 5.2.1 LED D10 | 10 |
| | 5.2.2 Switch SW1 and SW2 | 10 |
| | 5.2.3 Jumper J2 | 10 |
| | 5.3 Power supply section | 11 |
| | 5.3.1 Programmable voltage reference U5 | 11 |
| | 5.3.2 Current sensor Rogowski coil 1 and 2 | 11 |
| | 5.4 Neutral missing power supply section | 11 |
| | 5.4.1 Current sensor CT2 | 11 |
| | 5.5 EEPROM U3 section | 11 |
| | 5.6 LCD section | 11 |
| | 5.7 Battery management section | 11 |
| | 5.7.1 Coin cell BT1 | 12 |
| | 5.7.2 Rechargeable battery BT2 | 12 |
| | 5.7.3 Small signal Schottky diode D11, D12, D13, D14, D5 | 12 |

| | | |
|----------|---|-----------|
| 5.7.4 | Switch SW3 | 12 |
| 5.8 | IrDA section | 12 |
| 5.8.1 | IrDA transceiver U6 | 12 |
| 5.8.2 | Jumper J6 | 12 |
| 5.9 | Magnetic sensor U4 | 12 |
| 5.10 | Connector section | 13 |
| 6 | Single-phase energy meter features | 14 |
| 6.1 | Auto-calibration mode | 14 |
| 6.1.1 | Steps for auto-calibration | 14 |
| 6.2 | EEPROM data log | 14 |
| 6.3 | Power management | 15 |
| 6.3.1 | Meter run mode | 15 |
| 6.3.2 | Meter low-power mode | 15 |
| 6.4 | LCD display modes | 15 |
| 6.4.1 | Meter run mode display | 16 |
| 6.4.2 | Meter low-power mode display | 16 |
| 6.5 | Tamper detection | 16 |
| 6.5.1 | Tamper types | 17 |
| 6.5.2 | LCD symbol for tamper condition | 17 |
| 6.6 | 62056-21 IrDA protocol mode C | 17 |
| 6.6.1 | IrDA modes | 18 |
| 6.6.2 | SerialIO GUI | 18 |
| 6.7 | Pulse-out LED | 19 |
| | Appendix A EEPROM log data structure | 20 |
| 6.8 | Size overview | 21 |
| 6.9 | Entry structure | 21 |
| | Appendix B Tamper definitions | 23 |
| | Appendix C BOM list and schematics | 24 |
| | Revision history | 33 |

List of figures

| | | |
|------------|--|----|
| Figure 1. | Single-phase energy meter with Rogowski coil sensors based on the STPM01 and STM8L MCU | 1 |
| Figure 2. | Electricity meter connection diagram | 7 |
| Figure 3. | Hardware layout: top view | 9 |
| Figure 4. | Hardware layout: bottom view | 9 |
| Figure 5. | Auto-calibration mode connection diagram | 14 |
| Figure 6. | SerialIO GUI hardware setup | 18 |
| Figure 7. | SerialIO GUI with protocol mode C settings | 19 |
| Figure 8. | Microcontroller schematic | 29 |
| Figure 9. | Battery, connector, magnetic sensor and IrDA module schematics | 30 |
| Figure 10. | Power supply, EEPROM, LCD and neutral missing power supply schematics | 31 |
| Figure 11. | STPM schematic | 32 |

1 Features

The single-phase energy meter has the following features:

- Low cost single-phase energy meter solution
- Supports IEC 61036:1996 + A1: 2000, static meter for active energy classes 1 for $I_b=10$ A
- Less than 4 VA power consumption for voltage circuit at reference voltage
- Less than 1 VA power consumption for current circuit at reference basic current
- Multiple tamper detection: earth, neutral missing, reverse, case tamper, magnetic tamper detection
- Case tamper detection in power-down also
- Detects, signals and continues to measure accurately under tamper condition
- Rechargeable battery is available onboard for showing LCD parameters in case of power-down mode
- Active energy pulse output 1600 impulses/kWh
- Software based auto-calibration without the need of reference meter, only reference source is required
- Microcontroller in-built RTC for date and time display
- Microcontroller STM8L152C6T6 is responsible for all the data management, display and power management
- STPM metering IC with 1st order sigma-delta ADC for energy measurements.
- Single point and fast calibration of STPM for class 1 meter
- External EEPROM used to store calibration parameters, tampering information, cumulative energy, MD and power factor (PF) data
- Active power, current, voltage, power factor and line frequency measurements
- Numeric display precision (except cumulative energy): 5+2 digits
- Numeric display precision for cumulative energy: 5+1 digits
- Energy EEPROM log precision: 0.01 kWh.

2 Overview

2.1 Safety rules

This board can be connected to mains voltage (240 V). In the case of improper use, wrong installation or malfunction, there is a danger of serious personal injury and damage to property. All operations such as transport, installation and commissioning, as well as maintenance, should be carried out only by skilled technical personnel (regional accident prevention rules must be observed).

Warning: Due to the risk of death when using this prototype on mains voltage (240 V), only skilled technical personnel who are familiar with the installation, mounting, commissioning and operation of power electronic systems and have the qualifications needed to perform these functions, may use this prototype.

2.2 Recommended reading

This documentation describes how to use the multi-tariff meter reference board.

Additional information can be found in the following documents:

- STPM01 datasheet
- STM8L152C6T6 datasheet
- Component datasheets
- IEC 62056-21 IrDA protocol mode C.

2.3 Getting technical support

For technical assistance, documentation, information and updates for products and services, please refer to your local ST distributor/office.

3 Getting started

3.1 Package

The demonstration kit package includes the following items:

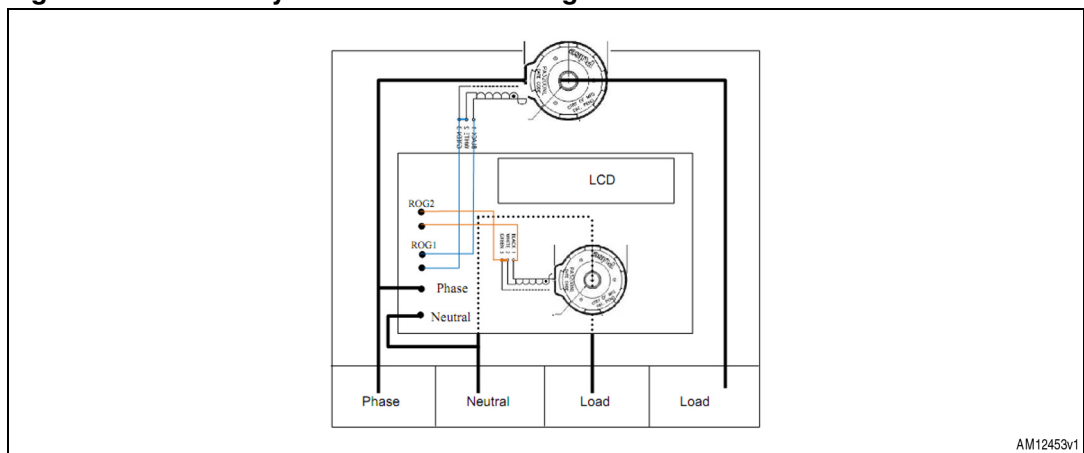
- Hardware content
 - STEVAL-IPE012V3 demonstration board
- Software
 - SerialIO GUI for IrDA communication testing
- Documentation
 - User manual
 - Presentation
 - Schematic
 - BOM list.

3.2 Hardware installation

Connect the STEVAL-IPE012V3 demonstration board with the mains supply before load. Please refer to [Figure 2](#) for connection with mains power and load.

Auto-scrolling LCD display indicates successful power-up of the board.

Figure 2. Electricity meter connection diagram



3.3 Software installation

The evaluation kit supports the SerialIO GUI for RS232 testing to check 62056-21 IrDA protocol mode C implementation.

3.3.1 System requirements for demonstration GUI

For demonstration board communication with the GUI, a recent version of Windows[®], Windows XP must be installed on the PC.

SerialIO GUI does not require any driver installation.

Note: The version of the Windows OS installed on the PC can be determined by clicking on the system icon in the control panel.

4 Hardware layout

The demonstration kit hardware is designed in a sectional approach to offer multiple functions to users.

Figure 3. Hardware layout: top view

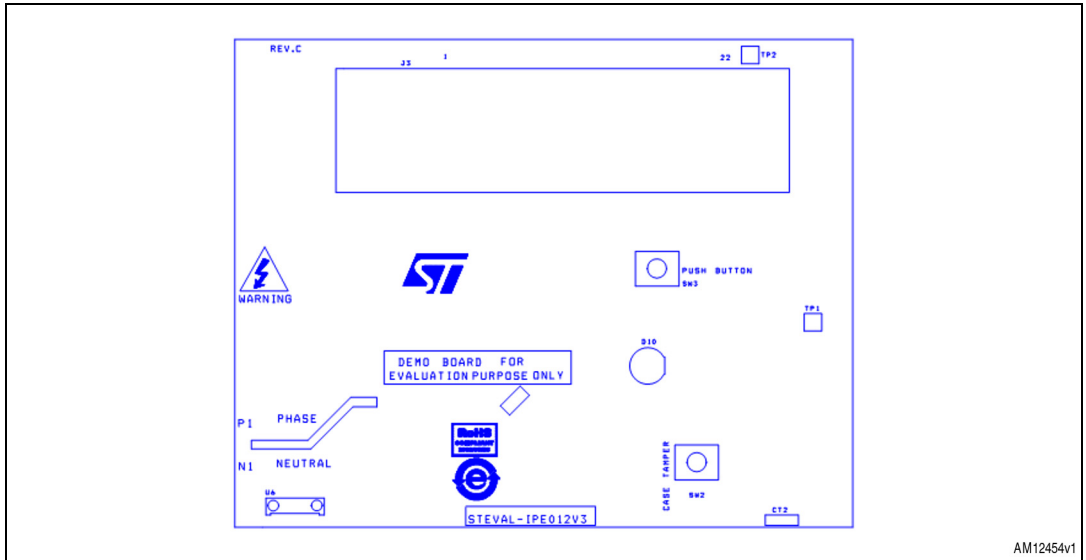
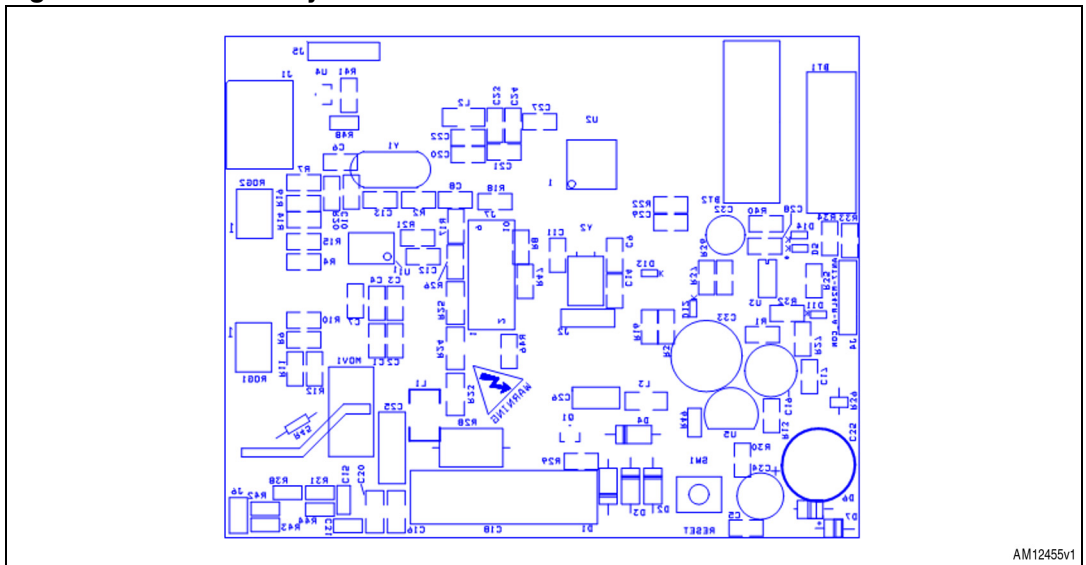


Figure 4. Hardware layout: bottom view



5 Hardware details

5.1 Metering IC U1

Programmable single-phase energy metering IC STPM01FTR (package: TSSOP20) is interfaced to the microcontroller using a three-wire SPI interface. Active energy, apparent energy, instantaneous voltage, and instantaneous current values are obtained from the STPM metering IC. For calibration of the STPM, auto-calibration is implemented.

5.1.1 Clocking Y1

A 4.194 MHz crystal is used as clock generator input for the metering IC.

For more details about auto-calibration, please refer to [Section 6.1: Auto-calibration mode](#).

5.2 Microcontroller U2

The STM8L152C6T6 microcontroller (package: LQFP48, 32 K Flash, 2 KB RAM, 48-pin) is responsible for all the data management and power management tasks. The MCU consumes very low power and has an in-built RTC for date and time management.

5.2.1 LED D10

LED D10 is the pulse-out LED for cumulative energy. This is used for testing energy meter energy calculation accuracy.

5.2.2 Switch SW1 and SW2

Switch SW1 is the reset switch for the microcontroller.

Switch SW2 is the case tamper switch. This is used to detect case tampering of the energy meter solution.

For more details, refer to [Section 6.4: LCD display modes](#).

5.2.3 Jumper J2

Table 1. 3-pin jumper header

| Jumper | Close: 1-2 | Close: 2-3 | Default |
|--------|--|---|------------|
| J2 | Microcontroller pin PA1 is connected to reset switch SW1 | Microcontroller pin PA1 is connected to LED D10 | Close: 2-3 |

A 32.768 kHz crystal is used as clock input for LSE (low speed external) for the microcontroller RTC block. The microcontroller core is clocked by HSI (high speed internal) clock.

5.3 Power supply section

Capacitive power supply is used to build 3.6 V for the metering IC and microcontroller section.

5.3.1 Programmable voltage reference U5

U5 TL431AI (package TO-92) is used to regulate 3.6 V supply.

5.3.2 Current sensor Rogowski coil 1 and 2

Rogowski coils 1 and 2 (ROG1 and ROG2) PA3202NL (actual secondary output: 416 $\mu\text{V}/\text{A}$, series resistance: 54 Ω) is the sensor for both primary and secondary current channels.

5.4 Neutral missing power supply section

The neutral missing power supply section is operational in case of neutral missing tamper. In case of neutral missing tamper condition, neutral is disconnected from the energy meter. Hence, there is no voltage input and therefore no output would be generated by the main capacitive power supply. However, in the case of load being present, there would be a valid input signal on the current channel so energy would be consumed. Since the voltage on the neutral channel is zero, so is the power ($P = V \times I$). In order to take account of energy consumed in this case, the neutral missing power supply section provides voltage supply to the STPM metering IC. A zero crossing signal of 50 Hz is provided to the VIP pin of STPM, so STPM now calculates the energy consumption at nominal voltage level of 230 V.

5.4.1 Current sensor CT2

CT2 is used to develop the power supply for the board using a diode full wave rectifier circuit in neutral missing condition.

5.5 EEPROM U3 section

EEPROM M24C32-RMN6TP (package: SO8, 32 Kbit) is interfaced to the microcontroller using an I2C bus. Cumulative energy, MD, average PF and tamper information for seven consecutive months are logged in EEPROM. For more details about EEPROM data logging, refer to [Section 6.2: EEPROM data log](#).

5.6 LCD section

LCD J3 is the connector for external 18* 4 LCD glass.

LCD glass OPT6089A (operating voltage 3 V, duty 1/4, bias 1/3) offers various energy meter specific symbols.

LCD glass is driven by microcontroller internal LCD driver.

5.7 Battery management section

Two batteries are used in the circuit.

5.7.1 Coin cell BT1

BT1 CR2032 (3 V, 225 mAh) is the microcontroller power source in halt mode to keep RTC running.

5.7.2 Rechargeable battery BT2

BT2 VL2330 (3 V, 50 mAh) for pushbutton and IrDA operation when mains power is off.

- Rechargeable battery acts as power source for the microcontroller section when the pushbutton is pressed during mains power-off
- Rechargeable battery is charged based on trickle charging mode during mains power on.

5.7.3 Small signal Schottky diode D11, D12, D13, D14, D5

Diodes (D11, D12, D13, D14, D5) BAT30KFILM (SOD - 523) based circuit is used to select power source for the microcontroller.

5.7.4 Switch SW3

Switch SW3 is the pushbutton switch. SW3 is used to control LCD display modes.

When mains power is on, on pressing the pushbutton, the LCD display is executed as per the pushbutton run mode.

When mains power is off, on pressing the pushbutton, the LCD display is executed as per the pushbutton low-power mode.

5.8 IrDA section

5.8.1 IrDA transceiver U6

IrDA transceiver TFDU6300 is used for IRDA communication.

5.8.2 Jumper J6

Using jumper J6, IRDA transmit and receive pins allow the testing of the IRDA section using the SerialIO GUI. For more details, refer to [Section 6.6.2: SerialIO GUI](#).

Table 2. Pin jumper headers

| Jumper | Pin1 | Pin2 |
|--------|-------------------------------|------------------------------|
| J6 | PC3_IRDA_Tx IRDA transmit pin | PC2_IRDA_Rx IRDA receive pin |

5.9 Magnetic sensor U4

The magnetic sensor AH180 (SC59-3L) is used to detect magnetic interference in the energy meter solution. Magnetic sensor outputs low when magnetic interference occurs.

5.10 Connector section

The connector section comprises test points for different signals.

Table 3. 4-pin jumper headers

| Jumper | Pin1 | Pin2 | Pin3 | Pin4 |
|--------|--|--|----------------|--|
| J1 | VDD | PA0_SWIM SWIM interface data pin | GND | PA1_NRST_PULSE_LED LED pulse output/reset signal |
| J5 | PA0_SWIM SWIM interface data pin | PE6 GPIO | GND | PE7_STPM_ZCR metering IC ZCR signal |
| J4 | GND | VDD | PC1_EEPROM_SCL | PC0_EEPROM_SDA |

Table 4. J7 STPM connector, 10-pin jumper header

| Pin number | Details |
|------------|--------------|
| 1 | VOTP |
| 2 | SBS |
| 3 | GND |
| 4 | PB7_STPM_SDA |
| 5 | PB6_STPM_SCS |
| 6 | PB5_STPM_SCL |
| 7 | PD6_STPM_LED |
| 8 | PA3_STPM_SYN |
| Pin number | Details |
| 1 | VOTP |

6 Single-phase energy meter features

6.1 Auto-calibration mode

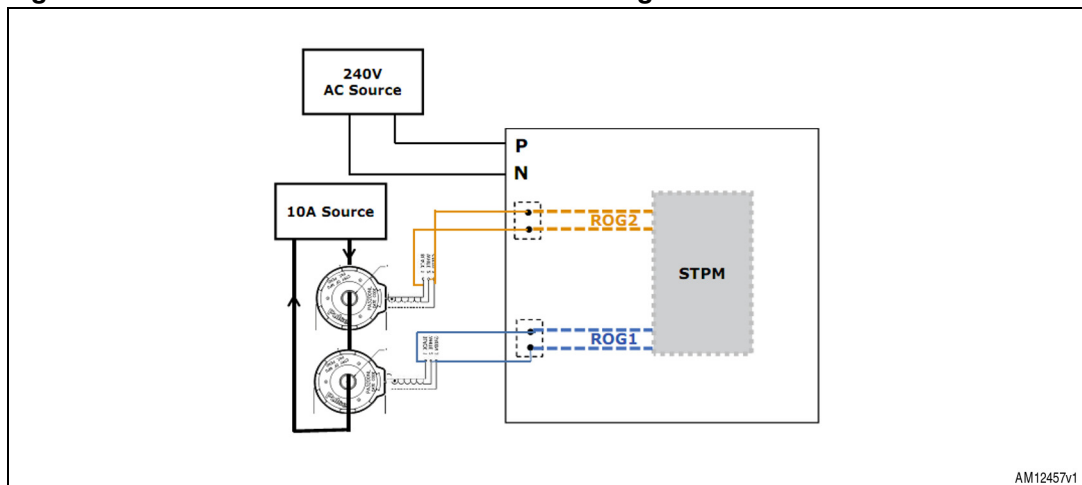
The STEVAL-IPE012V3 demonstration board supports auto-calibration using an ideal reference source for 10 A and 240 V. Calibration is performed to minimize measurement errors and to increase the accuracy of the meter.

Using auto-calibration mode, calibration parameters (CHV, CHS, and CHP) are calculated and programmed in registers of metering IC. The procedure for meter calibration is explained below by firstly giving an overview of the hardware setup, and then by describing how to connect a calibration board.

6.1.1 Steps for auto-calibration

- Connect 240 V voltage source to phase and neutral of board
- Connect 10 A source to board
- Pushbutton SW3 for more than 4 sec
- Board enters auto-calibration mode; “CALIB ON” is displayed on board
- As calibration is complete, board returns to auto-scroll display mode.

Figure 5. Auto-calibration mode connection diagram



For more details of calibration parameters, refer to the metering IC datasheet on www.st.com.

6.2 EEPROM data log

Total EEPROM data log size: 920 bytes.

Multiple parameters are stored in EEPROM, as below:

- The following metering parameters are logged in EEPROM memory for the current month and last six months
 - Cumulative energy (CE) until last month
 - Maximum demand (MD)

- Cumulative energy (CE) consumed in current month
- Average PF and averaging count
- Tamper entries; four types of tamper data storage is done: earth, reverse, neutral, and case tamper. For each type of tamper, the number of tamper entries per month is four.
- Two duplicate entries of cumulative energy are stored with CRC-8 value for error detection
- 10 bytes stored for calibration data at start of EEPROM including 3 bytes of CHV, CHP, and CHS
- Last power-down date and time log
- Overflow count for cumulative energy
 - Number of times cumulative energy overflows from 99999.9 (maximum display precision).

For further details, refer to [Appendix A: EEPROM log data structure](#).

6.3 Power management

The STEVAL-IPE012V3 demonstration board is designed with board power consumption 4 VA.

The board supports two modes of operation:

1. Meter run mode
2. Meter low-power mode

6.3.1 Meter run mode

When mains power is on, the board operates in run mode. The board components are powered using a capacitive supply with main power line as the source. In this mode, the rechargeable battery is in charging mode based on the trickle charging technique.

6.3.2 Meter low-power mode

When mains power goes down, the onboard microcontroller enters halt mode and metering IC is off. In this mode, the microcontroller RTC is running and low, other peripherals are off. In halt mode, the microcontroller is powered using BT1.

Therefore, pushbutton SW3 is pressed in low-power mode; BT2 supply connects to the supply input of the microcontroller and IrDA section, and so, in button pressed condition, BT2 is the main supply source. Now the meter low-power LCD display and IrDA communication are operational until pushbutton SW3 is operational.

6.4 LCD display modes

The STEVAL-IPE012V3 demonstration board offers the user different parameters. The metering parameter display is configured in a specific manner based upon the power mode of the meter:

- Meter run mode LCD display
- Meter low-power LCD display.

6.4.1 Meter run mode display

During the main power-on condition, all the critical parameters, with details of last month's logs for metering parameters, are available on the display.

Parameter display is classified for mains on condition:

- Auto-scroll mode
- Pushbutton display mode.

Auto-scroll mode

In auto-scroll mode, the following parameters are displayed on the LCD one by one:

- Cumulative active energy (kWh)
- Max. demand (kW) of last month
- Average PF of last consumption month.

Note: Auto-scroll mode interval (8sec) is configurable in "autoscroll_display.h" in the firmware.

Pushbutton mode

- In pushbutton mode, the following parameters are displayed on the LCD on pressing pushbutton SW3. Each button push displays the next pushbutton parameter.
- If pushbutton is in pressed condition for 4sec, board enters auto-calibration mode.

For more details on auto-calibration, refer to [Section 6.1: Auto-calibration mode](#).

In pushbutton mode, the following parameters are displayed on the LCD:

- All LCD segments on
- Date and time
- Max. demand since last reset
- Cumulative energy for last six months
- Max. demand for last six months
- Instantaneous PF
- Instantaneous voltage
- Instantaneous current
- Instantaneous load in Watts.

When the pushbutton SW3 is released, the LCD display returns to auto-scroll mode after a pushbutton mode interval (10 sec).

Note: Pushbutton mode interval (8sec) is configurable in "pushbutton_display.h" in the firmware.

6.4.2 Meter low-power mode display

In low-power mode, the display is off until pushbutton SW3 is pressed. When pushbutton SW3 is pressed in low-power mode, the display is on in auto-scroll display mode. The display is active until pushbutton SW3 is in a pressed condition.

6.5 Tamper detection


The STEVAL-IPE012V3 demonstration board supports multiple tamper detection and their logging in EEPROM.

6.5.1 Tamper types

The five types of tamper detection are:

1. Earth tamper
2. Reverse tamper
3. Neutral missing tamper
4. Case tamper
5. Magnetic interference

6.5.2 LCD symbol for tamper condition

- Earth tamper: Earth
- Reverse tamper: Rev
- Neutral missing tamper: 
- Case tamper: BP
- Magnetic interference: BP .

Three tampers (earth, reverse and neutral missing) are detected using a software algorithm based on meter readings from the metering IC.

In the case of neutral missing tamper detection, the board starts recording energy when the load current is 2 A or higher.

Case tamper is detected using switch SW2 and magnetic interference is detected using magnetic sensor U4. Symbol 'BP' is shared for displaying case tamper as well as magnetic interference. It means that if any of the tampers are detected, symbol 'BP' is displayed on the LCD.

For tamper definitions, refer to [Appendix B: Tamper definitions](#).

Note: In the present solution, magnetic tamper is not logged in EEPROM. Logging can be easily done by modifying the EEPROM log structure.

6.6 62056-21 IrDA protocol mode C

The STEVAL-IPE012V3 demonstration board supports 62056-21 IrDA protocol mode C. IrDA is used as the communication channel for reading meter data. In such systems, a handheld unit (HHU) or a unit with equivalent functions is connected to a tariff device (energy meter). The protocol offers five alternative protocol modes, A, B, C, D and E. This user manual covers mode C use. In mode C, data exchange is bi-directional and is always initiated by the HHU with the transmission of a request message. In this mode, the HHU acts as a master and the tariff device acts as a slave. These protocol modes permit meter reading, manufacturer specific operation, and programming mode. It is designed to be highly suitable for electricity metering environments, particularly with regards to electrical isolation and data security.

6.6.1 IrDA modes

- Data read out mode
In data read out mode, the tariff device responds with all the data logged in EEPROM as per EEPROM data structure (refer to [Appendix A: EEPROM log data structure](#)). Each data block consists of a sequence of data lines separated by carriage return (CR) and line feed (LF).
- Manufacturer specific mode
In manufacturer specific mode, RTC date and time setting is done.
- Programming mode
In programming mode, as per the protocol, data read and write can be done at different locations of EEPROM.

6.6.2 SerialIO GUI

The SerialIO GUI can be used as the test GUI for 62056-21 IrDA protocol mode C implementation. Here, the protocol is tested using serial communication. For this testing, a daughterboard with an RS232 converter is required to map PC serial data signals to 3.4 V data signals of the board.

Steps for serial communication based protocol testing:

1. Demount R41 and R42 from board.
2. Comment “#defines IRDA_MODE_ENABLE” in “emter_irda.h”.
3. Connect the RS232 daughterboard as shown in [Figure 6](#).
4. Write data into the SerialIO GUI data box and send.

Figure 6. SerialIO GUI hardware setup

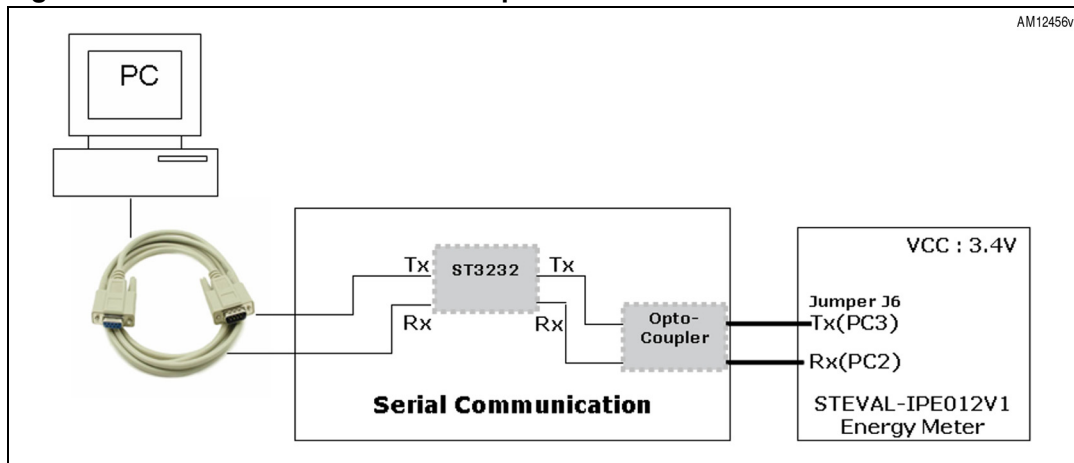
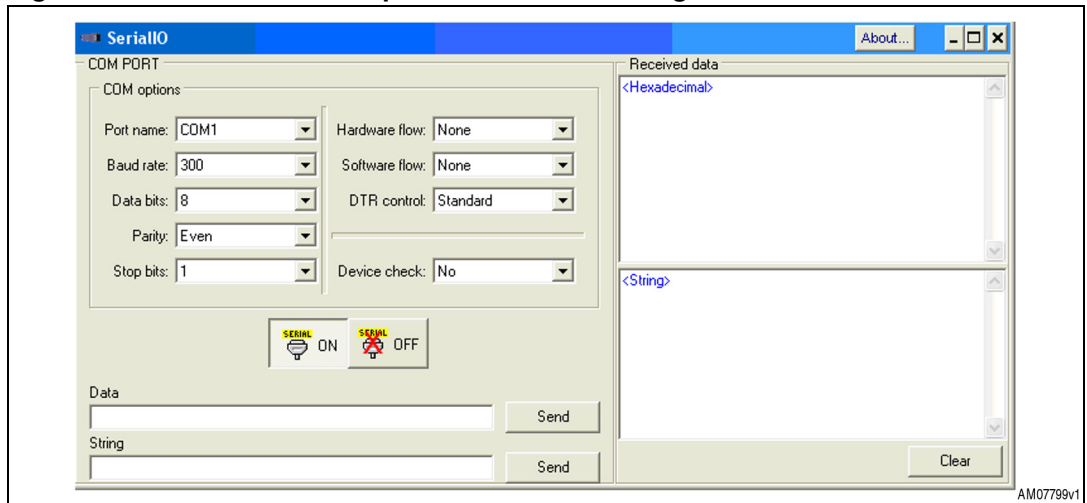


Figure 7. SerialIO GUI with protocol mode C settings



Note: For more details about IRDA mode C, refer to the IEC 62056-21 IRDA protocol mode C document.

6.7 Pulse-out LED

LED D10 is used as the pulse-out for cumulative energy. It works on a meter constant of 3200 impulses/kWh.

The LED output can be used to test the accuracy of the meter.

Appendix A EEPROM log data structure

All the parameters below are stored in EEPROM:

- Calibration data (10 bytes)
 - (3 bytes of CHV, CHP, CHS then 7 times 0x00)
- Total cumulative energy
 - (At two locations - to keep duplicate entries)
- Total cumulative till last month
 - (Month-wise for last six months and current month)
- Maximum demand
 - (Month-wise for last six months and current month)
- Cumulative energy
 - (Month-wise for last six months and current month)
- Average PF and averaging count
 - (Month-wise for last six months and current month)
- Tamper information - earth, reverse, neutral missing, case tamper
 - (Month-wise for last six months and current month and four entries per month with count for tamper and date and time details)
- Count of cumulative energy overflow
- Count of cumulative energy overflow
- Date and time of last power-down
- Total size required: 920 bytes.

Data storage structure in EEPROM as follows:

- Calibration data (CHV, CHP, CHS)
- CE main entry with CRC
 - N Month : CE till last month: MD : CE current month : average PF : tamper
 - N-1 Month : CE till last month: MD : CE current month : average PF : tamper
 - N-2 Month : CE till last month: MD : CE current month : average PF : tamper
 - N-3 Month : CE till last month: MD : CE current month : average PF : tamper
 - N-4 Month : CE till last month: MD : CE current month : average PF : tamper
 - N-5 Month : CE till last month: MD : CE current month : average PF : tamper
 - N-6 Month : CE till last month: MD : CE current month : average PF : tamper
- CE duplicate copy with CRC
- Count for cumulative energy overflow
- Power-down date and time.

Where N is the current month

- All parameters are logged for a total of 7 months including the current month and the last 6 months
- In current month log, data is updated at day end and on power-down
- Total cumulative energy log is updated half-hourly
- Month serial order is updated at 24:00 hrs on last date of each calendar month.

6.8 Size overview

Table 5. EEPROM parameter size overview

| Parameter | Size (in bytes) |
|---|---|
| Calibration data | 10 (3 bytes (CHV, CHP, CHS) + 7 dummy bytes for future use) |
| Total cumulative energy duplicate entry 1 | 7 (4 bytes + 2 bytes + 1 byte (CRC)) |
| Cumulative energy until last month | 42 (7*6): without CRC |
| Maximum demand log | 63 (7*(3+3+3)) |
| Monthly cumulative energy log | 42 (7*6) |
| Average PF log | 42 (7*4 + 7*2) |
| Earth tamper log | 175 (7*((4*(3+3)) + 1)) |
| Reverse log | 175 (7*((4*(3+3)) + 1)) |
| Neutral missing log | 175 (7*((4*(3+3)) + 1)) |
| Case tamper log | 175 (7*((4*(3+3)) + 1)) |
| Total cumulative energy duplicate entry 2 | 7(4 bytes + 2 bytes + 1 byte (CRC)) |
| Count for CE overflow | 1 byte |
| Power-down entry | 6 bytes |

Note: EEPROM data structuring is done in a modular way in order to support future updates. Reconfigure parameters in header file "emeter_datamgmt.h", to modify the log structure entry count.

6.9 Entry structure

- Calibration data log
CHV, CHP, and CHS are calibration parameters for the current and voltage channel for the metering IC.

Table 6. Calibration data

| Calibration data | Start address | Size |
|-------------------------------|---------------|------|
| (CHV, CHP, CHS, 7 times 0x00) | 0x00 | 10 |

For more details on calibration parameters, refer to metering IC datasheet on www.st.com.

- Total cumulative energy log
Two duplicate entries are stored. One at the start of EEPROM and another at the end of EEPROM.
This is done to make sure that, if EEPROM is corrupted at one point, another entry with the correct CRC is considered as a valid value.
7 bytes (4 bytes: kWh, 2 bytes: impulse count and 1 byte: CRC): total cumulative energy entry.
- Cumulative energy until last month
Cumulative energy until last month states energy consumed up to the last calendar month reset.
6 bytes (4 bytes: kWh and 2 bytes: impulse count): cumulative energy entry up to last month.
- Monthly maximum demand
3 bytes (1 byte: integer value and 2 bytes: impulse count): MD value, 3 bytes (date) 3 bytes (time).
- Current monthly cumulative energy
Current monthly cumulative energy states energy consumed in that particular current month until the last calendar month reset.
6 bytes (4 bytes: kWh and 2 bytes: impulse count), current cumulative energy entry.
- Monthly average PF
PF average value is the sum of PF readings and PF averaging count is the number of PF readings. 4 bytes (PF average value) 2 bytes (PF averaging value).
- Monthly tamper log
For the monthly tamper log, the following four types of tamper data are logged:
 - Earth tamper
 - Reverse tamper
 - Neutral missing tamper
 - Case tamperFor each type of tamper, there are 4 entries per month. So, for each type of tamper, the storage per month is:
 - Tamper count: 1 byte
 - Four entries of date: 3 bytes x 4 : 12 bytes
 - Four entries of time: 3 bytes x 4 : 12 bytes.

Note: For each tamper entry log, the tamper count: number of tampers in month D: date and T: time is of 3 bytes.

Appendix B Tamper definitions

- Earth tamper: using earth in place of neutral (load current is passed partially or fully through earth)
- Reverse connection: reversal of phase and neutral at mains
- Neutral missing tamper: when neutral is disconnected, the board is not powered. During this condition (single-wire conditions), power supply is generated by a CT for powering up the board.
- Case tamper: if an attempt is made to open the meter body, the meter logs the date/time of the meter opening tamper
- Magnetic tamper: if a magnet is near to the board, it pulls magnetic sensor output IO low.



Appendix C BOM list and schematics

UM1554

Table 7. BOM

| Category | Reference designator | Component description | Package | Manufacturer | Manufacturer's ordering code / orderable part number | Supplier | Supplier ordering code |
|------------------------|----------------------|--|---------------------|---------------------|--|-------------|------------------------|
| ST devices | U1 | STPM metering engine | TSSOP20 | ST | STPM01FTR | | STPM01FTR |
| | U2 | STM8L microcontroller | LQFP48 | ST | STM8L152C6T6 | | STM8L152C6T6 |
| | U3 | EEPROM 32 Kb | SO8 | ST | M24C32-RMN6TP | | M24C32-RMN6TP |
| | U5 | Voltage reference | TO92 | ST | TL431AIZ | | TL431AIZ |
| | D5,D11,D12,D13,D14 | Small signal diode | SOD-523 | ST | BAT30KFILM | | BAT30KFILM |
| | D6,D7 | Diode Schottky 40 V 1 A | DO-41 | ST | 1N5819 | | 1N5819 |
| Crystal and oscillator | Y1 | 4194.304 kHz oscillator | 2-pin (3.5 mm) | ECS Inc | ECS-42-12-4X | Digi-Key | X1046-ND |
| | Y2 | 32.768 kHz oscillator | 2-pin (cylindrical) | Abracon Corporation | AB26T-32.768 kHz | Digi-Key | 535-9032-ND |
| Connectors and jumpers | J1 | Swim connector (SMT, 4-pin, 1.27 mm pitch) | SMD | ERNI | ERNI | ERNI | 284697 |
| | J2 | 3-pin connector | 3-pin (2.54 mm) | Any | | | |
| | J4,J5 | 4-pin connector | 4-pin (2.54 mm) | Any | | | |
| | J6 | 2-pin connector | 2-pin (2.54 mm) | Any | | | |
| | J7 | 10 way, 2x5-pin | 2x5 (2.54 mm) | Any | | | |
| LEDs | D10 | LED | Leaded (3 mm) | HLMP-K150 | Digi-Key | 516-1311-ND | |

Doc ID 023381 Rev 1

24/34

BOM list and schematics



Table 7. BOM (continued)

| Category | Reference designator | Component description | Package | Manufacturer | Manufacturer's ordering code / orderable part number | Supplier | Supplier ordering code |
|------------|------------------------------------|-----------------------|---------------------------------------|-------------------------|--|----------|------------------------|
| Capacitors | C1,C3,C4,C20,C23,C27 | 1 μ F | SMD0805 | | Any | | |
| | C2,C29 | 1 nF | SMD0805 | | Any | | |
| | C5,C14,C15,C17,C21,C22,C24,C28,C31 | 100 nF | SMD0805 | | Any | | |
| | C6,C8 | 15 pF | SMD0805 | | Any | | |
| | C7,C10 | 10 nF | SMD0805 | | Any | | |
| | C9,C11 | 12 pF | SMD0805 | | Any | | |
| | C12 | 4.7 μ F | SMD1206 | | Any | | |
| | C16,C30 | 4.7 μ F | Tantulum SMD EIA 3216-18/size A | Any | | | |
| | C13 | 22 nF | SMD0805 | | Any | | |
| | C25 | 1 nF/500 V | Leaded | Vishay/BC Components | D102K25Y5PL63 L6R | Digi-Key | 1457PH-ND |
| | C26 | 100 μ F/50 V | Leaded | Panasonic - ECG | ECE-A1HN101U | Digi-Key | P1284-ND |
| | C32 | 6.8 μ F/16 V | Leaded | Panasonic - ECG | ECE-A1CKG6R8 | Digi-Key | P909-ND |
| | C33 | 470 μ F/35 V | Leaded | Nichicon | UVR1V471MPD | Digi-Key | 493-1084-ND |
| | C34 | 47 μ F/50 V | Leaded | Panasonic - ECG | ECA-1HM470 | Digi-Key | P5181-ND |
| | C35 | 1000 μ F/16 V | Leaded | Panasonic - ECG | ECA-1CM102 | Digi-Key | P5142-ND |
| Resistors | R1,R13,R32,R36,R37 | 10 k Ω | SMD0805 | | Any | | |

**Table 7. BOM (continued)**

| Category | Reference designator | Component description | Package | Manufacturer | Manufacturer's ordering code / orderable part number | Supplier | Supplier ordering code |
|-----------|---|-----------------------|----------------------|------------------------|--|----------------|------------------------|
| Resistors | R3,R8,R11,R17,R18,R20,R21,R27,R33,R34,R35,R42,R43,R44,R46,R47,R49 | 0 | SMD0805 | | Any | | |
| | R4,R10,R14,R19 | 1 k Ω | SMD0805 | | Any | | |
| | R7 | 42.2 k Ω | SMD0805 | | Any | | |
| | R9,R15 | 2 M Ω | SMD0805 | | Any | | |
| | R12 | 100 Ω | SMD0805 | | Any | | |
| | R16 | 2.2 k Ω | SMD0805 | | Any | | |
| | R22,R41 | 100 k Ω | SMD0805 | | Any | | |
| | R23,R24,R25 | 261 k Ω | SMD1206 | | Any | | |
| | R26 | 475 Ω | SMD0805 | | Any | | |
| | R28 | 82, 2 W | Leaded | Yageo | RSF200JB-82R | Digi-Key | 82W-2-ND |
| | R29 | 15 k Ω | SMD0805 | | Any | | |
| | R30 | 22 k Ω | SMD0805 | | Any | | |
| | R31 | 47 Ω | SMD0805 | | Any | | |
| | R38 | 5.1 Ω | SMD0805 | | Any | | |
| | R39 | 10 E, 2 W | Leaded | Vishay/BC Components | PR02000201500 JR500 | Digi-Key | PPC150W-2CT-ND |
| R40 | 8 k Ω | SMD0805 | | Any | | | |
| R45 | 27 E, 5 W | Leaded | Vishay/BC Components | AC05000002709 JAC00 | Digi-Key | PPC5W27.0CT-ND | |
| R48 | 12 k Ω | SMD0805 | | Any | | | |
| Inductors | L1 | 220 μ H | SMD | Panasonic - ECG | ELJ-FB221JF | Digi-Key | PCD1469CT-ND |



Table 7. BOM (continued)

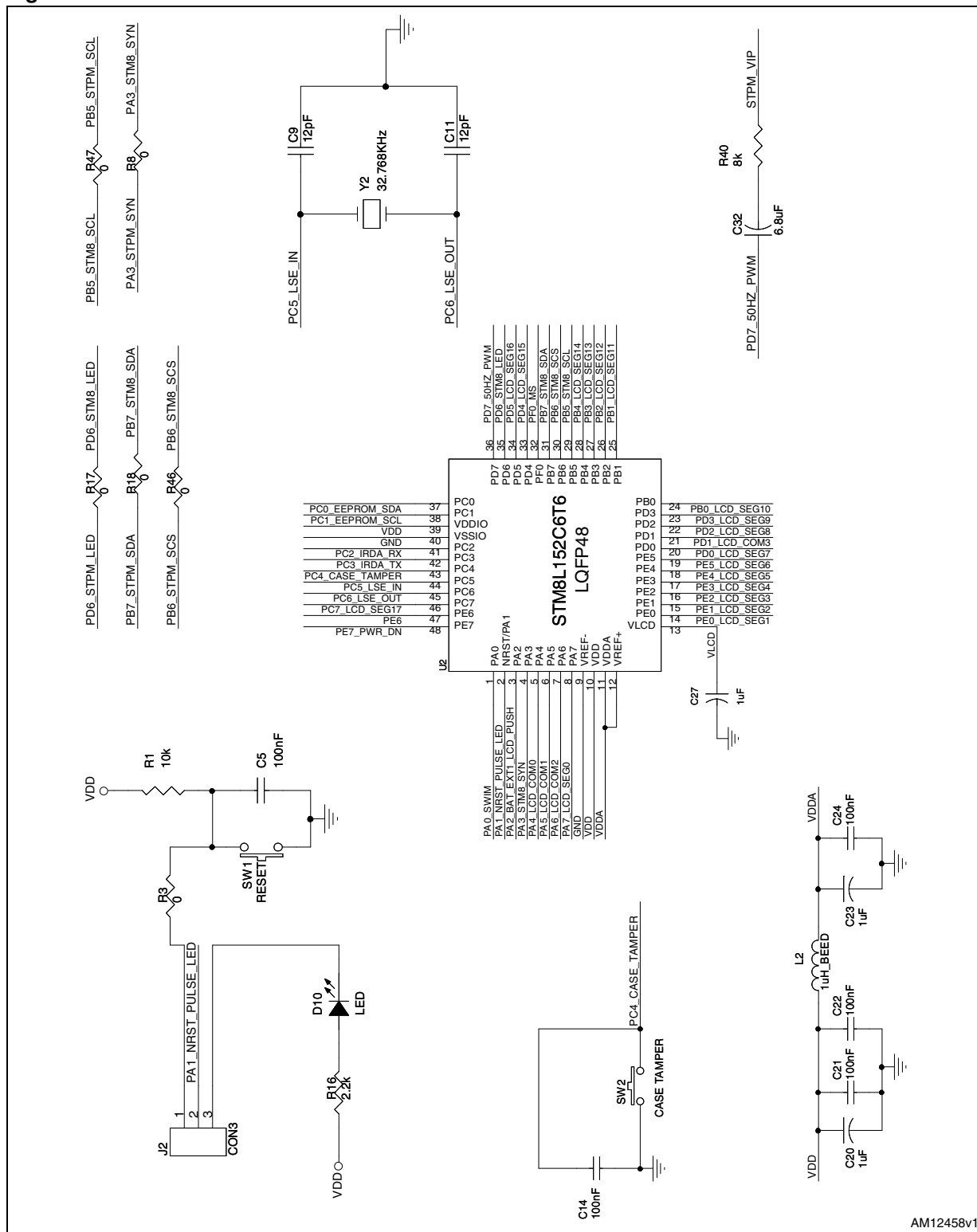
| Category | Reference designator | Component description | Package | Manufacturer | Manufacturer's ordering code / orderable part number | Supplier | Supplier ordering code |
|------------------|----------------------|---|------------------|-------------------------|--|-----------------|------------------------|
| Inductors | L2, L3 | 1 μ H | SMD | Panasonic - ECG | ELJ-FC1R0JF | Digi-Key | PCD1228CT-ND |
| Diodes | D1,D2,D3,D4, | Diode GPP 1 A 1000 V DO41 | Leaded | Fairchild Semiconductor | 1N4007 | Digi-Key | 1N4007FSCT-ND |
| Misc. components | U6 | Infrared transceiver module (SIR, 115.2 kbit/s) | SMD-8-pin | Vishay Electronics | TFDU4300 | Digi-Key | 751-1073-1-ND |
| | U4 | Micropower Omnipolar Hall-Effect sensor switch | SC-59-3L | Diodes Inc. | AH180_SC59-3L | Digi-Key | AH180-WGDICT-ND |
| | SW1 | Reset switch for micro | Leaded | TYCO ELECTRONICS | 1555986 | Farnell | FSM10JH |
| | SW2 | Case tamper switch | Leaded | TYCO ELECTRONICS | 1555986 | Farnell | FSM10JH |
| | SW3 | LCD_PUSH switch | Leaded | TYCO ELECTRONICS | 1555986 | Farnell | FSM10JH |
| | J3 | LCD glass 18x4 | 22-pin connector | OPT6089A | PIE Electronics | PIE Electronics | |
| | MOV1 | SUR absorber 10 mm 750 V 2500 A ZNR | Leaded | Panasonic - ECG | ERZ-V10D751 | Digi-Key | P7260-ND |
| | ROG1, ROG2 | Rogowski coil, current sensor | Leaded | Pulse Electronics | PA3202NL | ELECTRIC CENTER | PA3202NL |
| | BT1 | Battery lithium coin 3 V W/TABS | Leaded | Panasonic - BSG | CR-2032/F4N | Digi-Key | P245-ND |



Table 7. BOM (continued)

| Category | Reference designator | Component description | Package | Manufacturer | Manufacturer's ordering code / orderable part number | Supplier | Supplier ordering code |
|------------------|----------------------|-------------------------------------|---------|-------------------------|--|----------|------------------------|
| Misc. components | BT2 | BATT LITH COIN 3 V 23 mm 50 mA VERT | Leaded | Panasonic - BSG | VL-2330/VCN | Digi-Key | P086-ND |
| | Q1 | Transistor NPN 45 V 0.1 A SOT23 | SOT23 | Fairchild Semiconductor | BC847BMTF | Digi-Key | BC847BMTFCT-ND |

Figure 8. Microcontroller schematic



AM12458v1

Figure 9. Battery, connector, magnetic sensor and IrDA module schematics

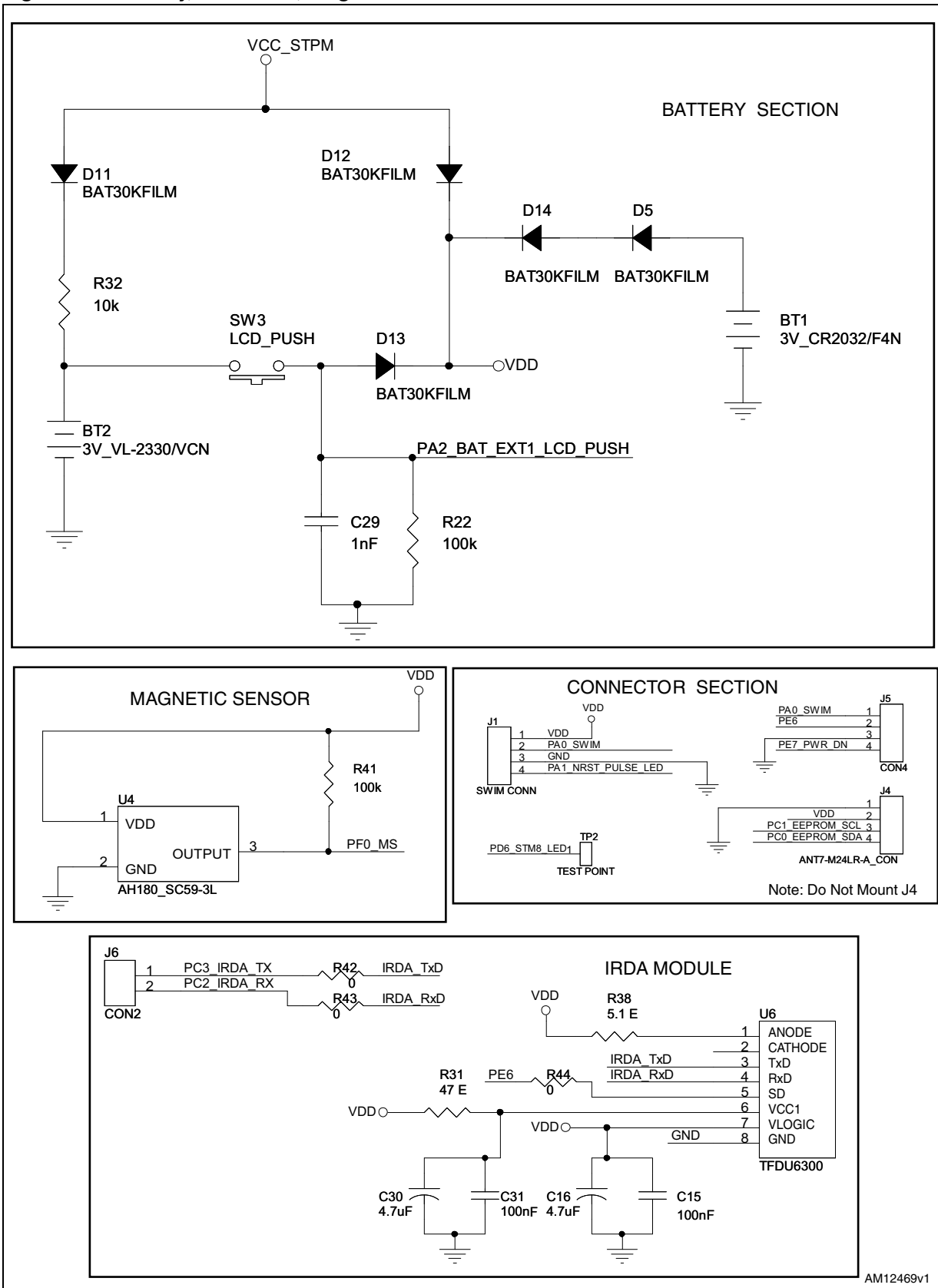




Figure 10. Power supply, EEPROM, LCD and neutral missing power supply schematics

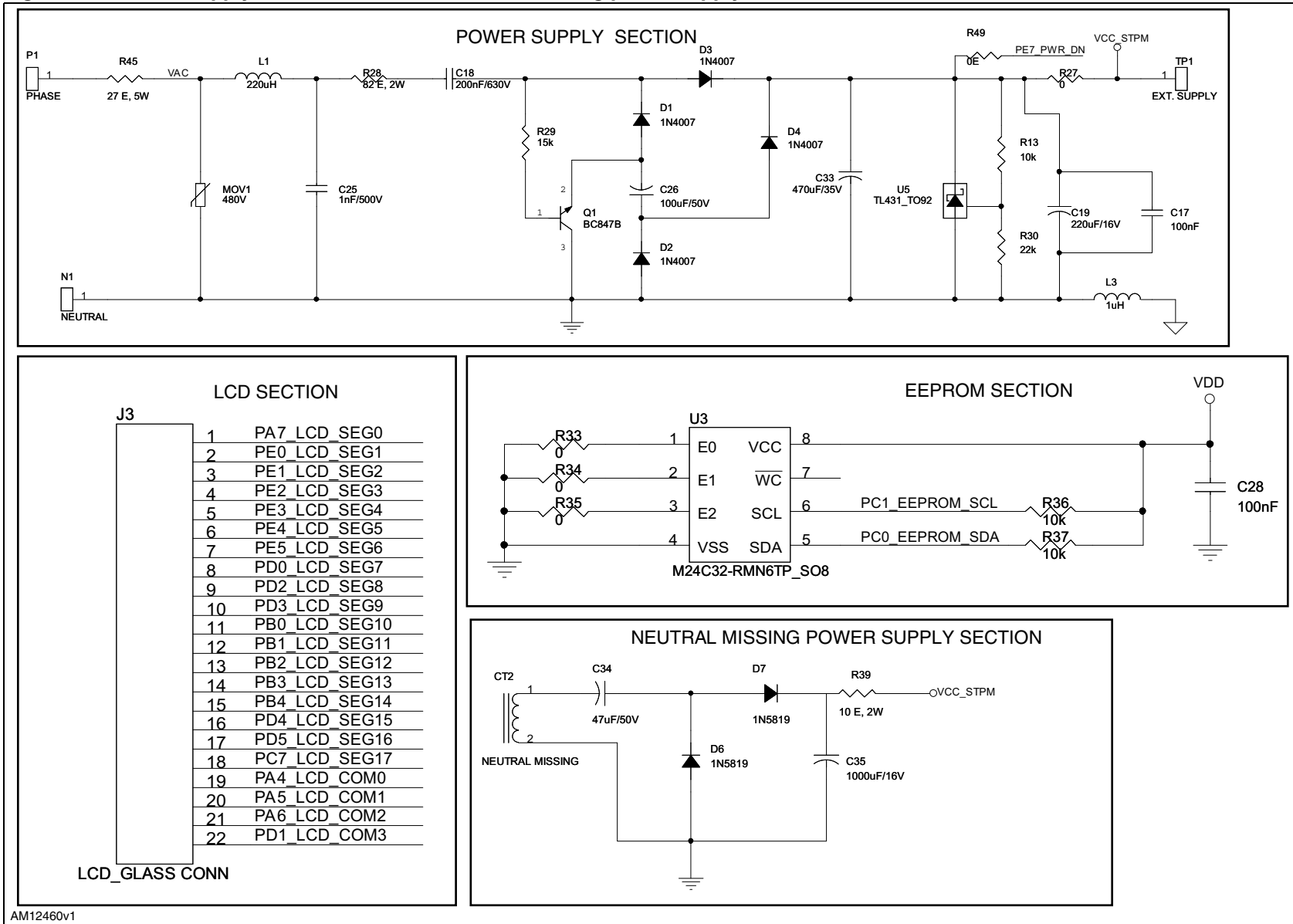
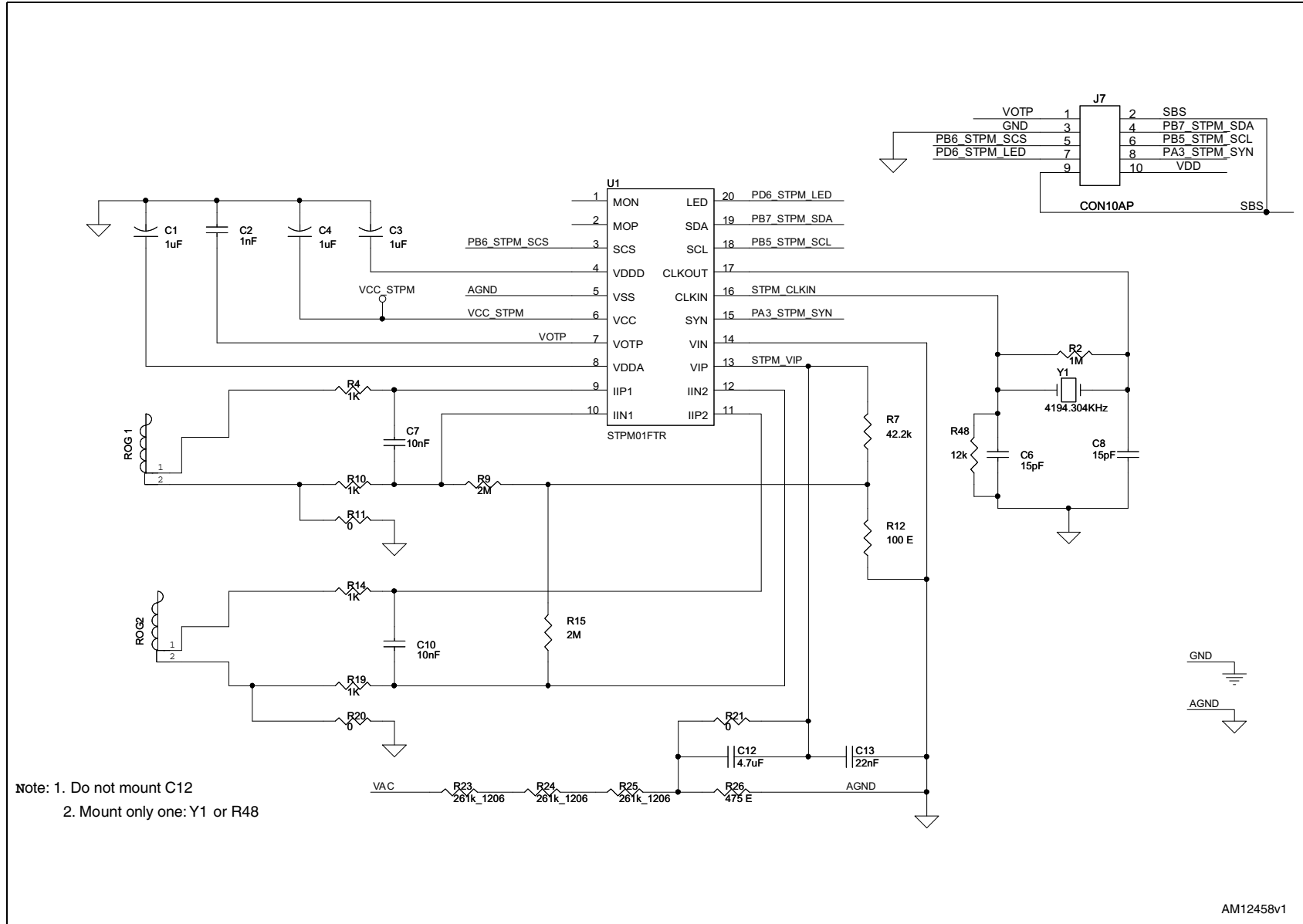




Figure 11. STPM schematic



Revision history

Table 8. Document revision history

| Date | Revision | Changes |
|-------------|----------|------------------|
| 30-Aug-2012 | 1 | Initial release. |

Please Read Carefully:

Information in this document is provided solely in connection with ST products. STMicroelectronics NV and its subsidiaries ("ST") reserve the right to make changes, corrections, modifications or improvements, to this document, and the products and services described herein at any time, without notice.

All ST products are sold pursuant to ST's terms and conditions of sale.

Purchasers are solely responsible for the choice, selection and use of the ST products and services described herein, and ST assumes no liability whatsoever relating to the choice, selection or use of the ST products and services described herein.

No license, express or implied, by estoppel or otherwise, to any intellectual property rights is granted under this document. If any part of this document refers to any third party products or services it shall not be deemed a license grant by ST for the use of such third party products or services, or any intellectual property contained therein or considered as a warranty covering the use in any manner whatsoever of such third party products or services or any intellectual property contained therein.

UNLESS OTHERWISE SET FORTH IN ST'S TERMS AND CONDITIONS OF SALE ST DISCLAIMS ANY EXPRESS OR IMPLIED WARRANTY WITH RESPECT TO THE USE AND/OR SALE OF ST PRODUCTS INCLUDING WITHOUT LIMITATION IMPLIED WARRANTIES OF MERCHANTABILITY, FITNESS FOR A PARTICULAR PURPOSE (AND THEIR EQUIVALENTS UNDER THE LAWS OF ANY JURISDICTION), OR INFRINGEMENT OF ANY PATENT, COPYRIGHT OR OTHER INTELLECTUAL PROPERTY RIGHT.

UNLESS EXPRESSLY APPROVED IN WRITING BY TWO AUTHORIZED ST REPRESENTATIVES, ST PRODUCTS ARE NOT RECOMMENDED, AUTHORIZED OR WARRANTED FOR USE IN MILITARY, AIR CRAFT, SPACE, LIFE SAVING, OR LIFE SUSTAINING APPLICATIONS, NOR IN PRODUCTS OR SYSTEMS WHERE FAILURE OR MALFUNCTION MAY RESULT IN PERSONAL INJURY, DEATH, OR SEVERE PROPERTY OR ENVIRONMENTAL DAMAGE. ST PRODUCTS WHICH ARE NOT SPECIFIED AS "AUTOMOTIVE GRADE" MAY ONLY BE USED IN AUTOMOTIVE APPLICATIONS AT USER'S OWN RISK.

Resale of ST products with provisions different from the statements and/or technical features set forth in this document shall immediately void any warranty granted by ST for the ST product or service described herein and shall not create or extend in any manner whatsoever, any liability of ST.

ST and the ST logo are trademarks or registered trademarks of ST in various countries.

Information in this document supersedes and replaces all information previously supplied.

The ST logo is a registered trademark of STMicroelectronics. All other names are the property of their respective owners.

© 2012 STMicroelectronics - All rights reserved

STMicroelectronics group of companies

Australia - Belgium - Brazil - Canada - China - Czech Republic - Finland - France - Germany - Hong Kong - India - Israel - Italy - Japan - Malaysia - Malta - Morocco - Philippines - Singapore - Spain - Sweden - Switzerland - United Kingdom - United States of America

www.st.com