

REVISIONS					
ECN	REV.	DESCRIPTION	DATE	BY	APPROVED
1126	A	INITIAL RELEASE	1/17/18	AS	OL

NOTES:

1.  $I_v$  = TYPICAL LUMINOUS INTENSITY @  $I_f = 20\text{mA}$  ( $T_a = 25^\circ\text{C}$ ).(\*4) = 4 LEDs PER PACKAGE; (82) = 2 LEDs PER PACKAGE.
2. SEE VOLTAGE / CURRENT TABLE FOR DESIGN SPECIFICATIONS.
3.  $T_a = 25^\circ\text{C}$ . VOLTAGES 6 THROUGH 60 ARE VDC. FOR AC OPERATION, INSERT D AFTER VOLTAGE (e.g. 24AC), NOT REQUIRED FOR 120V. FOR 120 VDC, INSERT DC AFTER VOLTAGE (e.g. 120DC).
4. USE APPROPRIATE ESD PRECAUTIONS DURING HANDLING AND OPERATION.
5. MOUNTING HARDWARE PROVIDED
6. THIS DEVICES ARE RoHS COMPLIANT.

CONFIGURATION FOR MODELS

MODEL	WIRES
1116	W (OPTIONAL)

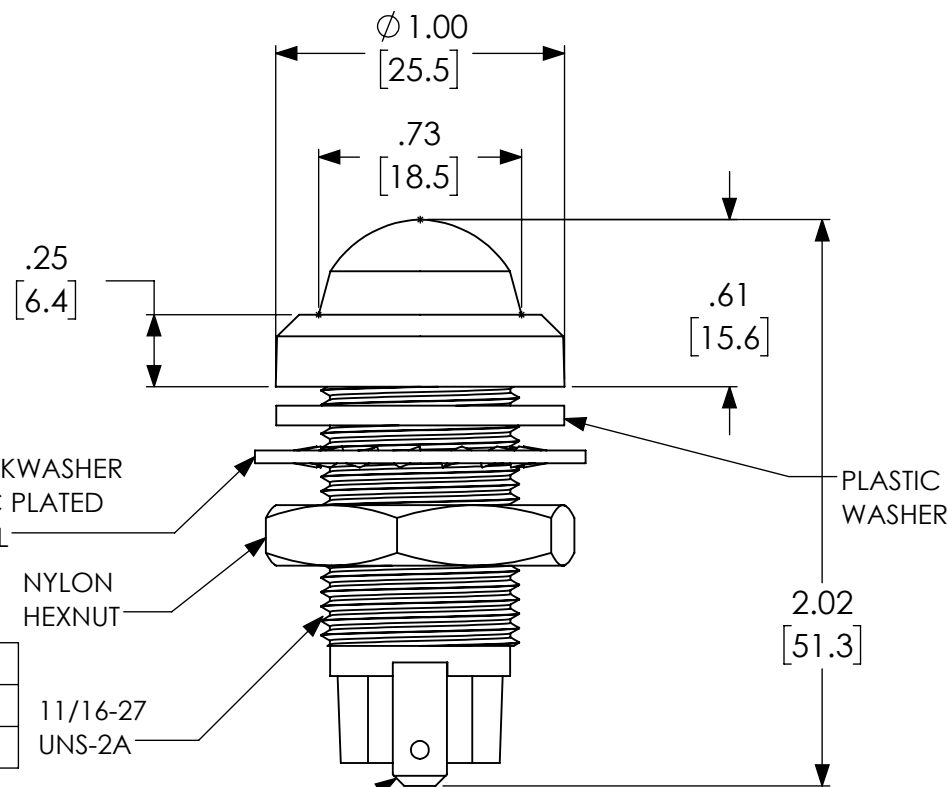
1116 W

HIGH INTENSITY - WATERCLEAR ENCAPSULATION		
LED	COLOR	V/C (TABLE)
-R	RED	
-O	ORG	
-A	AMB	
-G	GRN	
-B	BLU	
-W	CWHT	
-L	WWHT	

WIRE LENGTH (OPTIONAL)*	
NUMBER	LENGTH (in)
8	8"
12	12"
16	16"
18	18"
24	24"
36	36"
40	40"
60	60"

VOLTAGE
5
6
12
15
24
28
48
60
120

LENS
-CW
-NW



VOLTAGE/CURRENT	
DESIGN $V_f/I_f$	MAX $V_f/I_f$
<b>V/C Table I</b>	
5V/75mA	5.5v/85mA
6V/40mA	7V/60mA
12V/30mA	14V/40mA
15V/30mA	16.5V/35mA
24V/30mA	26V/35mA
28V/25mA	30V/28mA
48V/20mA	52V/22mA
60V/16mA	65V/18mA
120VAC/9.5mA	130VAC/10.5mA

VOLTAGE / CURRENT	
DESIGN $V_f/I_f$	MAX $V_f/I_f$
<b>V/C Table II</b>	
5V/26mA	5.5v/35mA
6V/28mA	7V/39mA
12V/15mA	14V/22mA
15V/15mA	16.5V/19mA
24V/15mA	26V/18mA
28V/15mA	30V/18mA
48V/9mA	50V/9.5mA
60V/6.5mA	65V/7.2mA
120VAC/5mA	130VAC/5.5mA

**\*STANDARD WIRE LENGTH:**

IF THE CONFIGURATION DOES NOT INCLUDE A NUMBER AFTER THE "W" USE THIS STANDARD:  
 6.0" +1.0" -0" TOTAL LENGTH (NOMINAL)/.50" STRIPPED +1/8" -0",  
 RED ANODE/ BLACK CATHODE, 18 AWG UL1015 INSULATION.



ISOMETRIC VIEWS ONLY FOR REF.

The information in this document is the exclusive **PROPRIETARY** property of **VISUAL COMMUNICATIONS COMPANY, LLC**. It is disclosed with the understanding that acceptance or review by the recipient constitutes an undertaking by the recipient: (1) to hold this information in strict confidence (2) not to disclose, duplicate, copy, or use the information, in whole or in part, for any purpose other than that for which disclosed

UNLESS OTHERWISE SPECIFIED ALL DIMENSIONS ARE INCHES (MM) SHOWN FOR REFERENCE ALL ANGLES ARE IN DEGREES		MATERIAL N/A		 12780 DANIELSON CT, SUITE A, POWAY, CA 92064 PHONE: (800)522-5546 • WWW.VCCCLITE.COM	
GENERAL TOLERANCES		FINISH N/A			
INCH .XX ± 0.025 .XXX ± 0.010	MM .X ± 0.63 .XX ± 0.25	DRW	A.SANCHEZ	1/9/18	DESC
BREAK ALL CORNERS AND SHARP EDGES .030 MAX		D-ENG	A.SANCHEZ	1/9/18	11/16" MOUNT PANEL LIGHT
XX DIMS INSPECTION CRITICAL ANGLE ± 1°		P-ENG	O.LARA / G.RUIZ	1/16/18	
THIRD ANGLE PROJECTION		QC	E.LARA	1/17/18	PART NO
DO NOT SCALE DRAWING PRINTED COPIES ARE UNCONTROLLED		SIZE		DRW NO	SEE TABLES
		B		1116 SERIES	REV
		SCALE: 1:1		A	
		SHEET: 1 OF 1			