

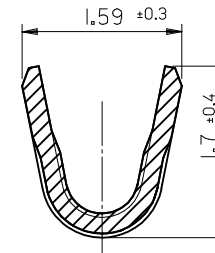
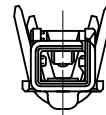
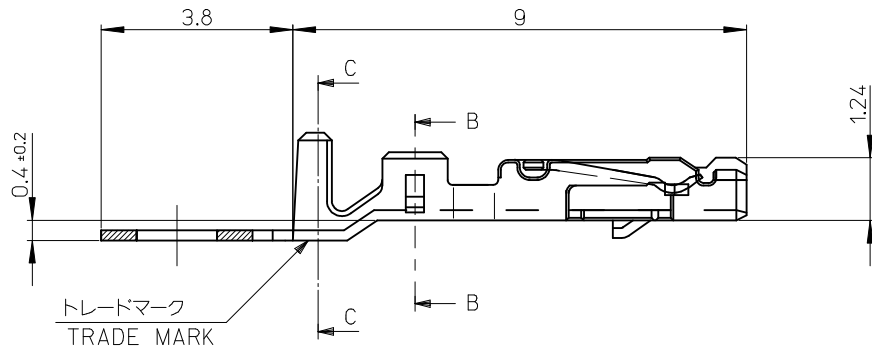
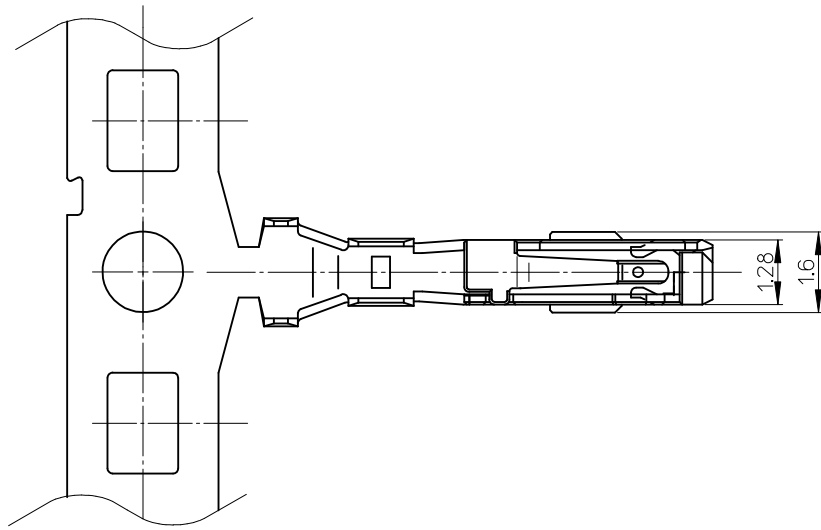
注記  
NOTES

1. 使用材料 : 銅合金, 錫メッキ (t=0.2)  
MATERIAL : REFLOWED TIN COPPER ALLOY
2. 適合ハウジング : 501646 シリーズ  
APPLICABLE HOUSING : 501646 SERIES
3. 電線仕様  
CABLE SPEC.  
AWG : #22~26  
適用電線範囲 : 0.126~0.34mm<sup>2</sup>  
WIRE RANGE  
被覆外形 :  $\Phi 0.95 \sim \Phi 1.5\text{mm}$   
INS. RANGE

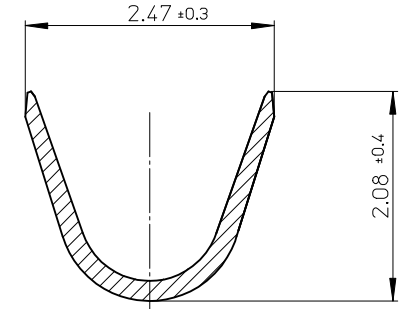
4. 嵌合相手 MATES WITH

|                                  |               |
|----------------------------------|---------------|
| PLUG ST HEADER<br>(TIN PLATING)  | 501645 SERIES |
| PLUG R/A HEADER<br>(TIN PLATING) | 501876 SERIES |

5. ELV 及び RoHS 適合品  
ELV AND RoHS COMPLIANT.



SECTION B-B  
(SCALE:20-1)



SECTION C-C  
(SCALE:20-1)

|              |              |
|--------------|--------------|
| 501647-1100  | バラ状<br>LOOSE |
| 501647-1000  | 連鎖状<br>CHAIN |
| MATERIAL NO. | 端子形状<br>FORM |

|  |  |           |                             |                            |  |  |                        |                           |
|--|--|-----------|-----------------------------|----------------------------|--|--|------------------------|---------------------------|
| REVISED<br>EC NO: J2017-0032<br>DRWN: AIDA 2016/07/04<br>CHKD: SAKIYAMA 2016/07/04<br>APPR: IKANEKO 2016/07/12 | GENERAL TOLERANCES<br>(UNLESS SPECIFIED)                   |           |                             | DIMENSION STYLE<br>MM ONLY |  | SCALE<br>10:1  | DESIGN UNITS<br>METRIC | THIRD ANGLE<br>PROJECTION |
|  | 0.25 UNDER   | UNDER     | ±0.03                       | DRAWN BY<br>N. ITO         | DATE<br>'05/07/04  | TITLE<br>IGRID 2.0MM W/B DUAL<br>RCPT TERM<br>AWG #22 - 26<br><b>molex</b><br>DOCUMENT NO. SD-501647-001<br>SHEET NO. 1 OF 1 |                        |                           |
|  | 0.25 OVER  | 0.5 UNDER | ±0.05                       | CHECKED BY<br>ASAKAWA      | DATE<br>'05/07/04  |  |                        |                           |
|  | 0.5 OVER   | 1.0 UNDER | ±0.1                        | APPROVED BY<br>ICHIKAWA    | DATE<br>'05/07/04  |  |                        |                           |
| 1.0 OVER   | 10 UNDER   | ±0.2      | MATERIAL NO.<br>501647-1*00 |                            |  |  |                        |                           |
|  | 10 OVER  | 30 UNDER  | ±0.25                       |                            |  |  |                        |                           |
|  | 30 OVER  |           | ±0.3                        |                            |  |  |                        |                           |
|  | ANGULAR  | ±1 °      |                             |                            |  |  |                        |                           |
|  | DRAFT WHERE APPLICABLE<br>MUST REMAIN<br>WITHIN DIMENSIONS |           |                             | SIZE<br>A3                 | THIS DRAWING CONTAINS INFORMATION THAT IS PROPRIETARY TO MOLEX ELECTRONIC<br>TECHNOLOGIES, LLC AND SHOULD NOT BE USED WITHOUT WRITTEN PERMISSION |  |                        |                           |