

THIS DRAWING IS UNPUBLISHED. RELEASED FOR PUBLICATION  
 © COPYRIGHT BY TYCO ELECTRONICS CORPORATION. ALL RIGHTS RESERVED.

LOC		DIST		REVISIONS			
P	LTR	DESCRIPTION	DATE	DWN	APVD		
	B	ECR-12-016821	24DEC12	W.W	C.W		

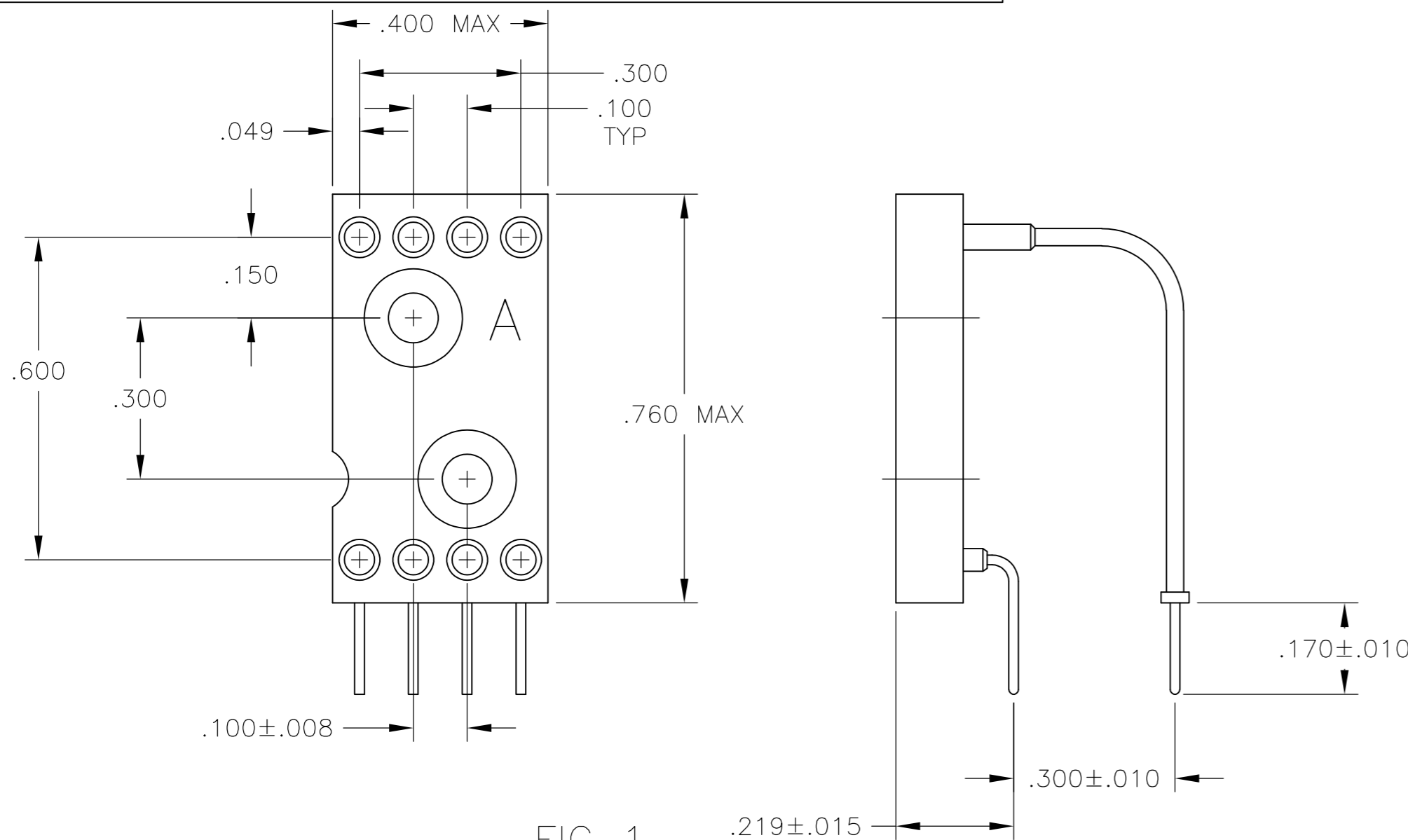


FIG 1  
508-AG8D

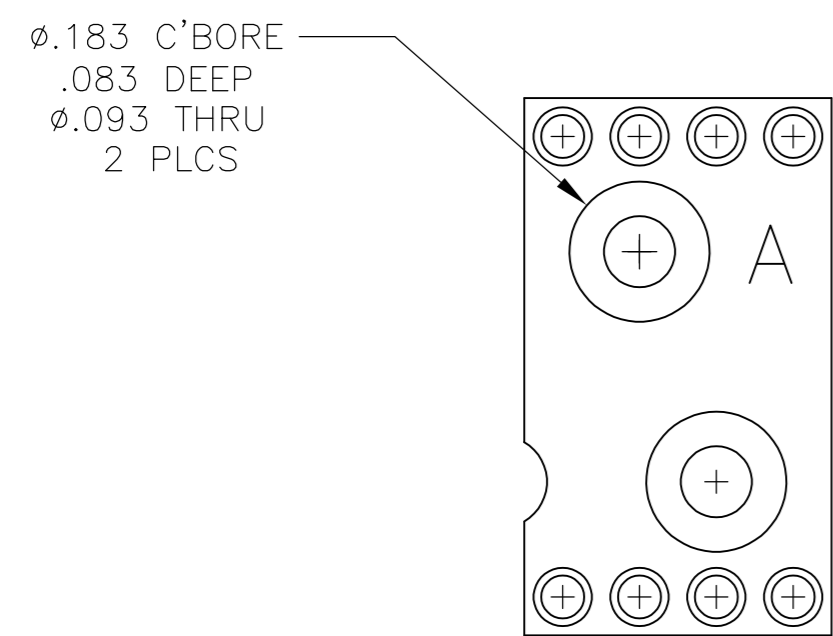


FIG 2  
508-AG4F

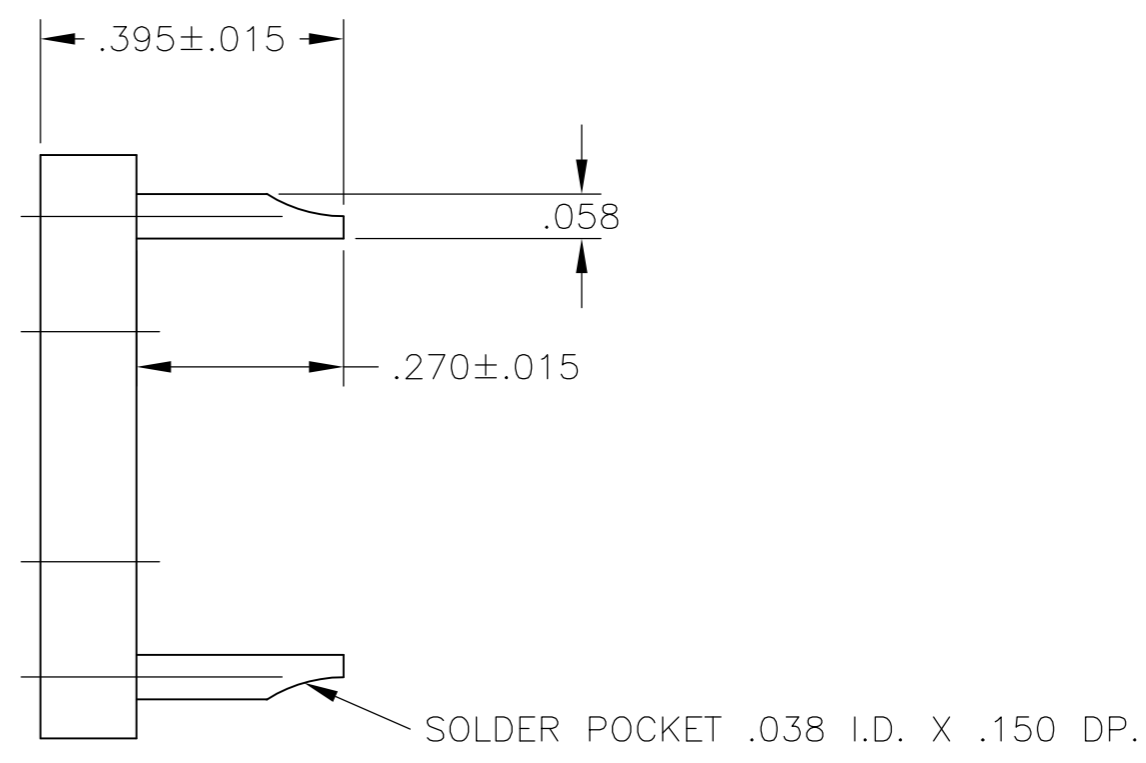
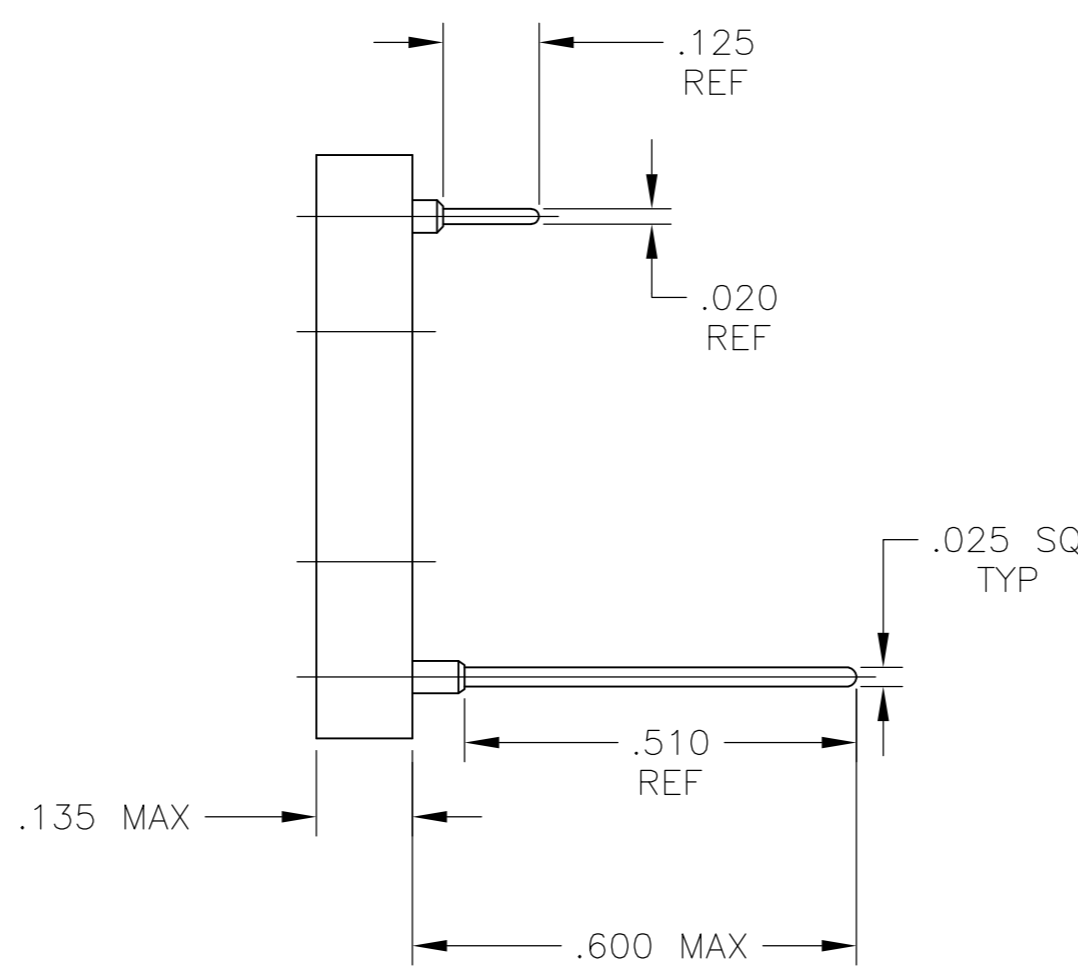


FIG 3  
508-AG4A

DESCRIPTION	AUGAT PART NUMBER	TE PART NUMBER
RIGHT ANGLE MTG. PRINTED CIRCUIT	508-AG8D-LF	1825412-1
HORIZONTAL MTG. PRINTED CIRCUIT	508-AG4D-LF	9-6437529-4
HORIZONTAL MTG. SOLDER POCKET	508-AG4A-LF	9-6437529-3
RIGHT ANGLE MTG. PRINTED CIRCUIT	508-AG8D	9-1437529-7
HORIZONTAL MTG. PRINTED CIRCUIT	508-AG4D	9-1437529-4
HORIZONTAL MTG. WIRE WRAP	508-AG4F	9-1437529-5
HORIZONTAL MTG. SOLDER POCKET	508-AG4A	9-1437529-3
HORIZONTAL MTG. WIRE WRAP	508-AG36F	N/A

1 MATERIAL AND FINISH:  
 INSULATOR: THERMOPLASTIC POLYESTER, UL 94V-0, BLACK  
 CONTACT: BERYLLIUM COPPER GOLD OVER NICKEL PLATE  
 SLEEVE: BRASS TIN PLATE  
 SLEEVE G36F ONLY: BRASS, GOLD OVER NICKEL PLATE

THIS DRAWING IS A CONTROLLED DOCUMENT.		DWN M.BINNER 05OCT2005	Tyco Electronics Corporation Harrisburg, PA 17105-3608	
DIMENSIONS: INCHES		CHK K.DEBOCK 06OCT05	NAME	
TOLERANCES UNLESS OTHERWISE SPECIFIED:		APVD K.DEBOCK 06OCT05	L.E.D. SOCKET ASSEMBLY	
0 PLC ± -		PRODUCT SPEC	SIZE CAGE CODE DRAWING NO RESTRICTED TO	
1 PLC ± -		APPLICATION SPEC	A2 00779 C-9-1437529-3	
2 PLC ± -		WEIGHT -	SCALE 1:1 SHEET 1 OF 1 REV B	
3 PLC ± .005		CUSTOMER DRAWING		
4 PLC ± -				
ANGLES ± 1°				
MATERIAL 1				
FINISH -				