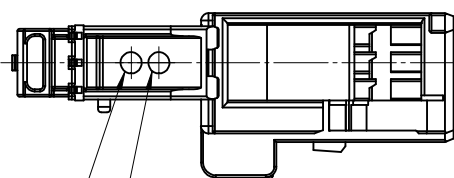
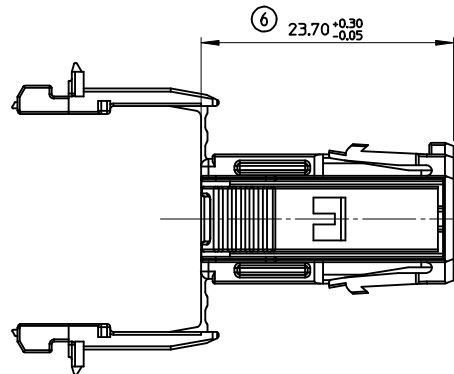
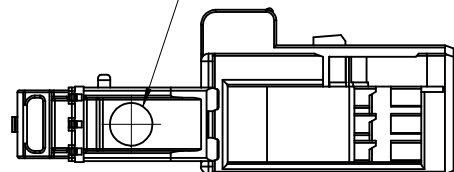
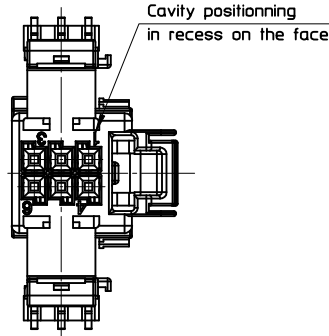
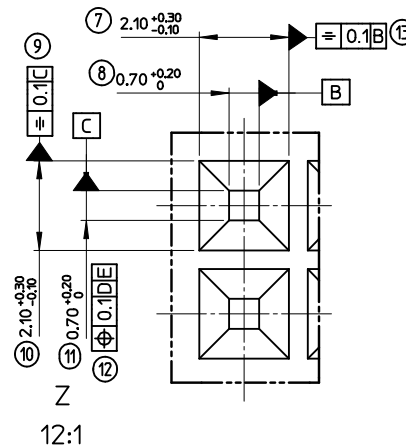


Date marker Ø4, in recess on the face

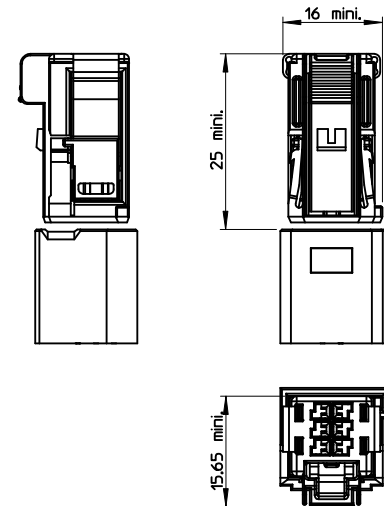


CAVITY NUMBER IN RECESS ON THE FACE

MOLEX INTERNAL MARKING

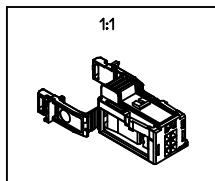


Cavity positioning in recess on the face



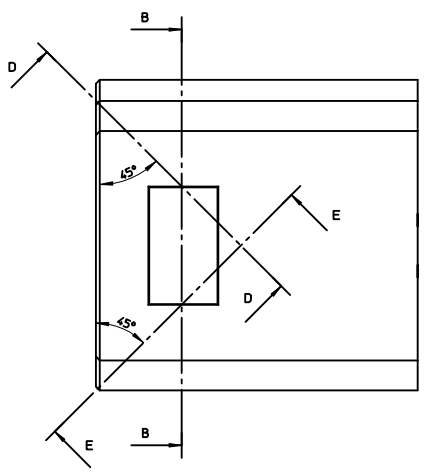
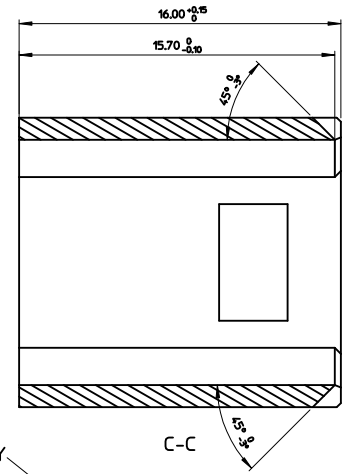
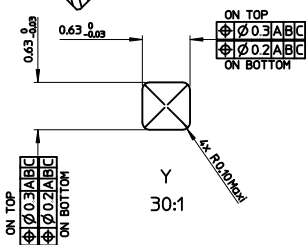
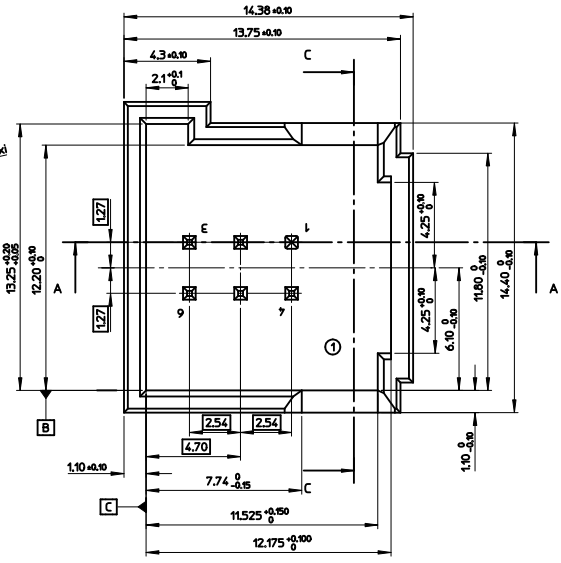
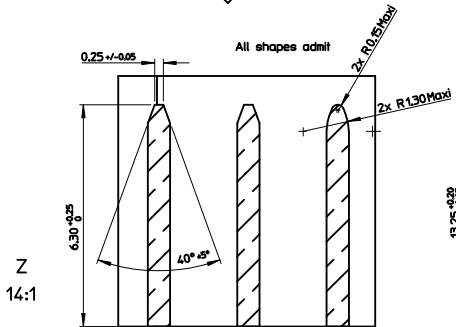
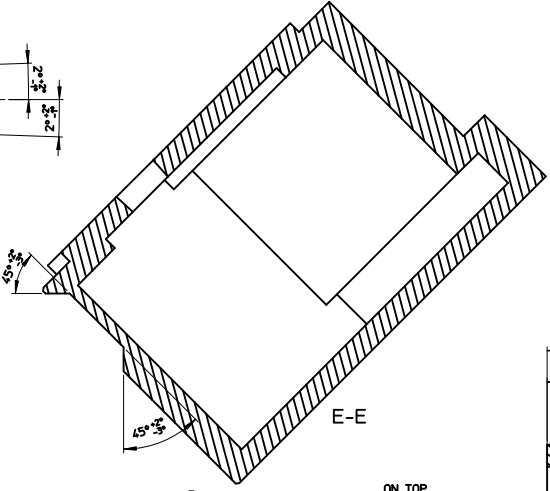
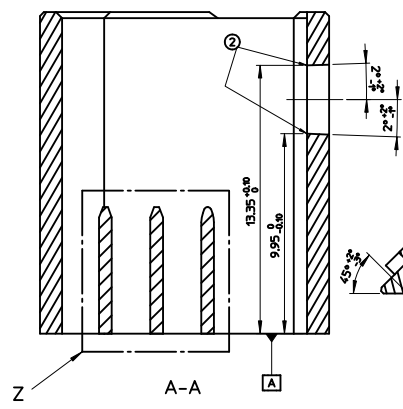
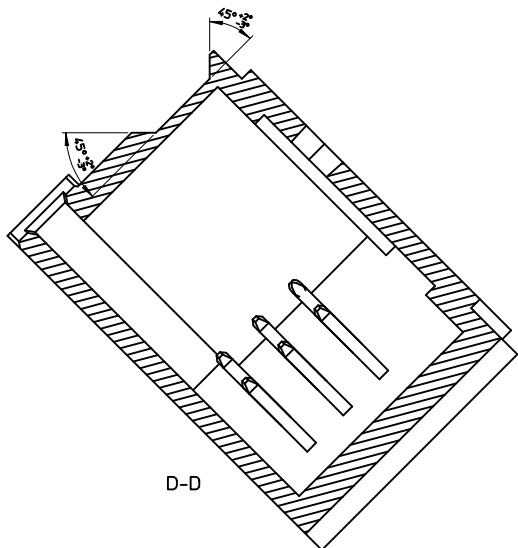
- Necessary volume for the housing assembly
- Allow an additional volume for the unmating

- NOTES :
- 1- MATERIAL: POLYAMIDE (PA), UL94 V2Ø1.58 mm. COLOR: BLACK.
 - 2- USE WITH: 98658 (MOX 0.63 TERMINAL).
 - 3- APPLICATION SPECIFICATION: AS-98192-001
 - 4- MARKINGS ON THE FLAPS CAN BE DONE ON ONE FLAP OR THE OTHER FLAP



Add capacity mold #4 EC NO: G2015-0200 DRAWN: AHERBEL IN 2015/05/05 CHKD: DUCLOS 2015/05/05 APPR: PLESSIS 2015/07/20 REV:	QUALITY SYMBOLS 	GENERAL TOLERANCES (UNLESS SPECIFIED)		DIMENSION STYLE MM ONLY		SCALE 3:1	DESIGN UNITS METRIC	FIRST ANGLE PROJECTION
		4 PLACES ± --- ± --- 3 PLACES ± --- ± --- 2 PLACES ± 0.10 ± --- 1 PLACE ± 0.20 ± --- 0 PLACE ± ±	mm INCH ± --- ± --- ± 0.10 ± --- ± 0.20 ± --- ± ±	DRAWN BY MRIVIERE	DATE 2004/04/05	TITLE 2X3 WAY CONNECTOR		
ANGULAR ±1/2° DRAFT WHERE APPLICABLE MUST REMAIN WITHIN DIMENSIONS		MATERIAL NO. 0981920001		DOCUMENT NO. SD-98192-001		SHEET NO. 1 OF 1		THIS DRAWING CONTAINS INFORMATION THAT IS PROPRIETARY TO MOLEX INCORPORATED AND SHOULD NOT BE USED WITHOUT WRITTEN PERMISSION

Rev	Date	Revision
A	2000/04/20	FIRST RELEASE

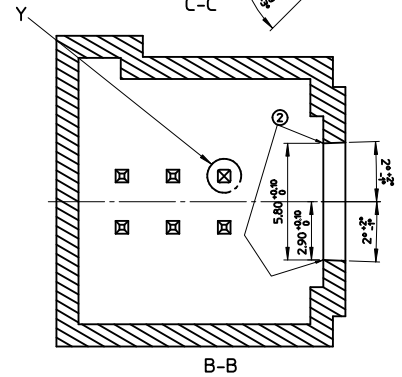


materials :

- Header PBT 20%
- Pin CuSn6 or CuFe12
- Tin plating 0.8 to 3.34µm

marking :

- The cavity marking must be in recess of the face
- No burs allow in this area
- Chamfers or radii not size 0.5Maxi



FIRST RELEASE EC NO: G2011-0181 DRW:ND05SANTOS 2011/04/20 CHKD: APPR:CBUCHAN	QUALITY SYMBOLS V=0 V=0 V=0	GENERAL TOLERANCES (UNLESS SPECIFIED)		DIMENSION STYLE		SCALE 8:1	DESIGN UNITS METRIC	FIRST ANGLE PROJECTION
		mm	INCH	MM ONLY	DATE			
REV A	DESCRIPTION	4 PLACES	± 0.10	± 0.004	DRAWN BY	PPOZZO	DATE	2000/09/04
		3 PLACES	± 0.05	± 0.002	CHECKED BY	PGRANDCL	DATE	2001/02/09
		2 PLACES	± 0.05	± 0.002	APPROVED BY	DATE		
		1 PLACE	± 0.10	± 0.004	DATE	2011/06/21		
			ANGULAR ±1/2°		MATERIAL NO.	0981920001	DOCUMENT NO.	SD-98192-003
DRAFT WHERE APPLICABLE MUST REMAIN WITHIN DIMENSIONS		SIZE 1		THIS DRAWING CONTAINS INFORMATION THAT IS PROPRIETARY TO MOLEX INCORPORATED AND SHOULD NOT BE USED WITHOUT WRITTEN PERMISSION				SHEET NO. 1 OF 1