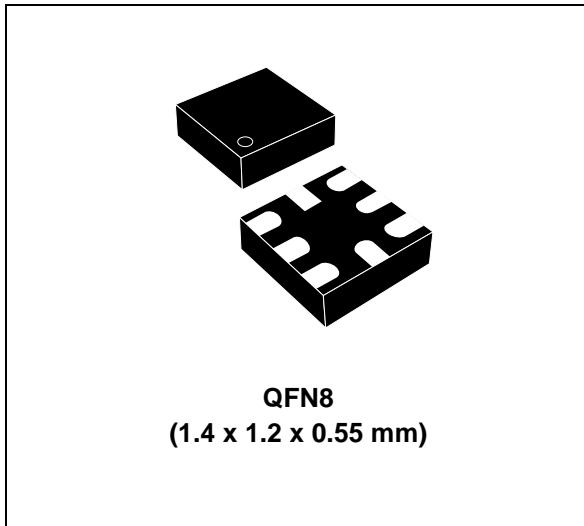


2-bit dual supply level translator without direction control pin, open drain output

Datasheet - production data



Features

- 18 Mbps (max.) data rate when driven by a totem pole driver
- 6.8 Mbps (max.) data rate when driven by an open drain pole driver
- Bi-directional level translation without direction control pin
- Wide V_L voltage range of 1.65 to 3.6 V
- Wide V_{CC} voltage range of V_L to 5.5 V

- Power-down mode feature: when either supply is OFF, all I/Os are in high impedance
- Low quiescent current (max. 4 μ A)
- Able to be driven by totem pole and open drain drivers
- 5.5 V tolerant Enable pin
- ESD performance on all pins: ± 2 kV HBM
- Small package and footprint: QFN8 (1.4 x 1.2 x 0.55 mm) package

Applications

- Low-voltage system level translation
- Mobile phones and other mobile devices
- I²C level translation
- UART level translation

Table 1. Device summary

Order code	Package	Packing	Package topmark
ST2329BQTR	QFN8 (1.4 x 1.2 x 0.55 mm)	Tape and reel (3000 parts per reel)	3A

Contents

- 1 Description 5**
- 2 Pin settings 6**
 - 2.1 Pin connection 6
 - 2.2 Pin description 6
- 3 Device block diagrams 7**
- 4 Supplementary notes 8**
 - 4.1 Driver requirements 8
 - 4.2 Load driving capability 8
 - 4.3 Power-off feature 8
 - 4.4 Truth table 8
- 5 Maximum rating 9**
 - Recommended operating conditions 9
- 6 Electrical characteristics 10**
 - 6.1 DC characteristics 10
 - 6.2 AC characteristics 12
 - 6.2.1 Device driven by open drain driver 12
 - 6.2.2 Device driven by totem pole driver 14
- 7 Waveforms 17**
- 8 Package mechanical data 19**
- 9 Revision history 22**

List of tables

Table 1.	Device summary	1
Table 2.	Pin description	6
Table 3.	Truth table.	8
Table 4.	Absolute maximum ratings	9
Table 5.	Recommended operating conditions	9
Table 6.	DC characteristics.	10
Table 7.	AC characteristics - test conditions: $V_L = 1.65 - 1.8 V$ (device driven by open drain driver)	12
Table 8.	AC characteristics - test conditions: $V_L = 2.5 - 2.7 V$ (device driven by open drain driver)	13
Table 9.	AC characteristics - test conditions: $V_L = 2.7 - 3.6 V$ (device driven by open drain driver)	13
Table 10.	AC characteristics - test conditions: $V_L = 1.65 - 1.8 V$ (device driven by totem pole driver)	14
Table 11.	AC characteristics - test conditions: $V_L = 2.5 - 2.7 V$ (device driven by totem pole driver)	15
Table 12.	AC characteristics - test conditions: $V_L = 2.7 - 3.6 V$ (device driven by totem pole driver)	15
Table 13.	Test circuit switches	16
Table 14.	Waveform symbol value	17
Table 15.	Mechanical data for QFN8 (1.4 x 1.2 x 0.55 mm) - 0.40 mm pitch	20
Table 16.	QFN8 carrier tape dimensions - 8 mm width	21
Table 17.	Document revision history	22

List of figures

Figure 1. Pin connection (top through view) 6
Figure 2. Block diagram 7
Figure 3. Application block diagram 7
Figure 4. Test circuit 16
Figure 5. Waveform - propagation delay (f = 1 MHz; 50% duty cycle) 17
Figure 6. Waveform - output enable and disable time (f = 1 MHz; 50% duty cycle) 18
Figure 7. Package outline for QFN8 (1.4 x 1.2 x 0.55 mm) - 0.40 mm pitch 20
Figure 8. QFN8 carrier tape - 8 mm width 21
Figure 9. QFN8 reel for carrier tape - 8 mm width 21

1 Description

The ST2329B device is a 2-bit dual supply level translator which provides the level shifting capability to allow data transfer in a multi-voltage system. Externally applied voltages, V_{CC} and V_L , set the logic levels on either side of the device. It utilizes a transmission gate-based design that allows bi-directional level translation without a control pin.

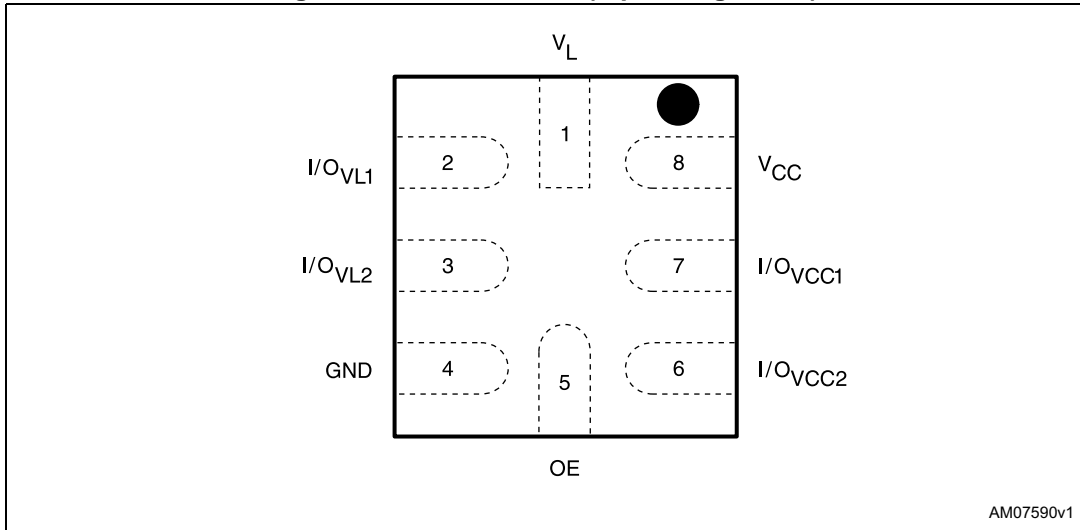
The ST2329B device accepts V_L from 1.65 to 3.6 V and V_{CC} from 1.80 to 5.5 V, making it ideal for data transfer between low-voltage ASICs/PLD and higher voltage systems. This device has a tristate output mode which can be used to disable all I/Os.

The ST2329B device supports power-down mode when V_{CC} is grounded/floating and the device is disabled via the OE pin.

2 Pin settings

2.1 Pin connection

Figure 1. Pin connection (top through view)



AM07590v1

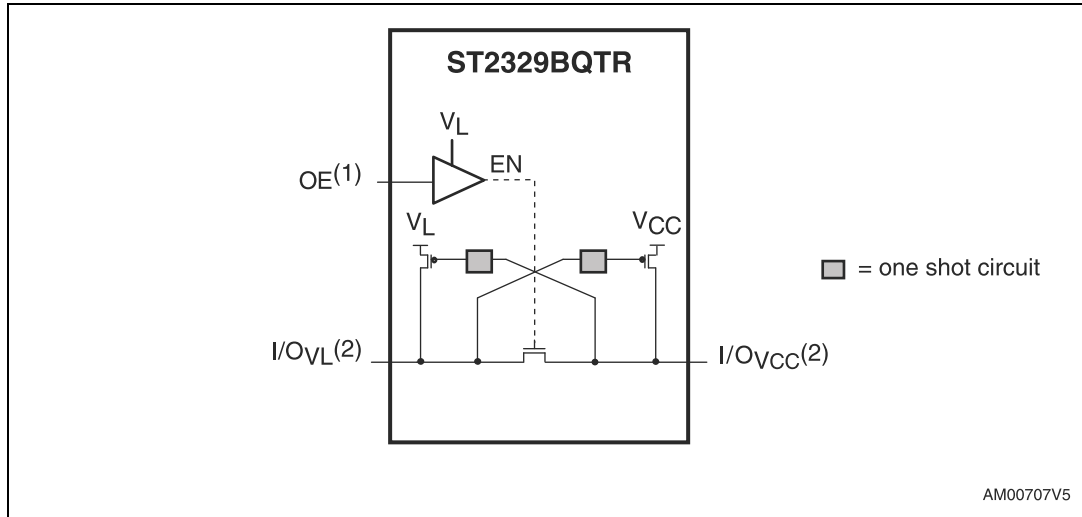
2.2 Pin description

Table 2. Pin description

Pin number	Symbol	Name and function
1	V_L	Supply voltage
2	I/O_{VL1}	Data input/output
3	I/O_{VL2}	Data input/output
4	GND	Ground
5	OE	Output enable
6	I/O_{VCC2}	Data input/output
7	I/O_{VCC1}	Data input/output
8	V_{CC}	Supply voltage

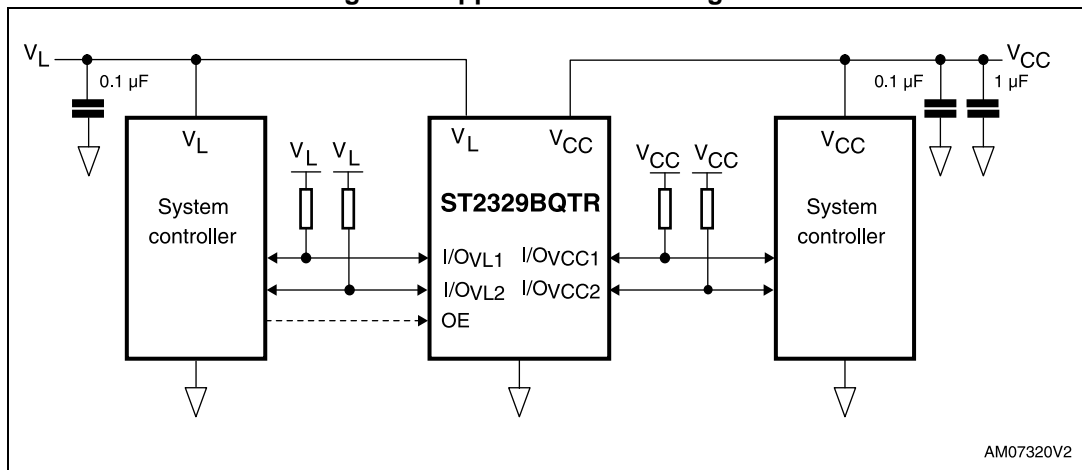
3 Device block diagrams

Figure 2. Block diagram



1. When OE is LOW, all I/Os are in high-impedance mode.
2. The ST2329BQTR has 2 channels. For simplicity, the diagram above shows only 1 channel.

Figure 3. Application block diagram



4 Supplementary notes

4.1 Driver requirements

The ST2329BQTR may be driven by an open drain or totem pole driver and the nature of the device output is “open drain”. It must not be used to drive a pull-down resistor as the impedance of the output at HIGH state depends on the pull-up resistor placed at the I/Os.

As the device has pull-up resistors on both the I/O_{VCC} and I/O_{VL} ports, the user needs to ensure that the driver is able to sink the required amount of current. For example, if the settings are $V_{CC} = 5.5\text{ V}$, $V_L = 4.3\text{ V}$, and the pull-up resistor is $10\text{ k}\Omega$, then the driver must be able to sink at least $(5.5\text{ V} / 10\text{ k}\Omega) + (4.3\text{ V} / 10\text{ k}\Omega) = 1\text{ mA}$ and still meet the V_{IL} requirements of the ST2329BQTR.

4.2 Load driving capability

To support the open drain system, the one-shot transistor is turned on only during high transition at the output side. When it drives a high state, after the one-shot transistor is turned off, only the pull-up resistor is able to maintain the state. In this case, the resistive load is not recommended.

4.3 Power-off feature

In some applications where it may be required to turn off one of the power supplies powering up the level translator, the user can turn off the V_{CC} only when the OE pin is low (device is disabled). There is no current consumption in V_L due to floating gates or other causes, and the I/Os are in a high-impedance state in this mode.

4.4 Truth table

Table 3. Truth table

Enable	Bi-directional input/output	
OE	I/O_{VCC}	I/O_{VL}
H ⁽¹⁾	H ⁽²⁾	H ⁽¹⁾
H ⁽¹⁾	L	L
L	Z ⁽³⁾	Z ⁽³⁾

1. High level V_L power supply referred.
2. High level V_{CC} power supply referred.
3. Z = high-impedance.

5 Maximum rating

Stressing the device above the rating listed in [Table 4: Absolute maximum ratings](#) may cause permanent damage to the device. These are stress ratings only, and operation of the device at these or any other conditions above those indicated in [Table 5: Recommended operating conditions](#) of this specification is not implied. Exposure to absolute maximum rating conditions for extended periods may affect device reliability.

Table 4. Absolute maximum ratings

Symbol	Parameter	Value	Unit
V_L	Supply voltage	-0.3 to 4.6	V
V_{CC}	Supply voltage	-0.3 to 6.5	V
V_{OE}	DC control input voltage	-0.3 to 6.5	V
$V_{I/OVL}$	DC I/O _{VL} input voltage (OE = GND or V_L)	-0.3 to $V_L + 0.3$	V
$V_{I/OVCC}$	DC I/O _{VCC} input voltage (OE = GND or V_L)	-0.3 to $V_{CC} + 0.3$	V
I_{IK}	DC input diode current	-20	mA
$I_{I/OVL}$	DC output current	±25	mA
$I_{I/OVCC}$	DC output current	±25	mA
I_{SCTOUT}	Short-circuit duration, continuous	40	mA
P_D	Power dissipation ⁽¹⁾	500	mW
T_{STG}	Storage temperature	-65 to 150	°C
TL	Lead temperature (10 seconds)	300	°C
ESD	Electrostatic discharge protection (HBM)	±2	kV

1. 500 mW: 65 °C derated to 300 mW by 10 mW / °C: 65 °C to 85 °C.

Recommended operating conditions

Table 5. Recommended operating conditions

Symbol	Parameter	Min.	Typ.	Max.	Unit
V_L	Supply voltage	1.65	–	3.6	V
V_{CC}	Supply voltage	V_L	–	5.5	V
V_{OE}	Input voltage (OE output enable pin, V_L power supply referred)	0	–	3.6	V
$V_{I/OVL}$	I/O _{VL} voltage	0	–	V_L	V
$V_{I/OVCC}$	I/O _{VCC} voltage	0	–	V_{CC}	V
T_{op}	Operating temperature	-40	–	85	°C
dt/dV	Input rise and fall time	0	–	1	ns/V

6 Electrical characteristics

6.1 DC characteristics

Over recommended operating conditions unless otherwise noted. All typical values are at $T_A = 25\text{ }^\circ\text{C}$.

Table 6. DC characteristics

Symbol	Parameter	V_L	V_{CC}	Test conditions	Value					Unit
					$T_A = 25\text{ }^\circ\text{C}$			$-40\text{ to }85\text{ }^\circ\text{C}$		
					Min.	Typ.	Max.	Min.	Max.	
V_{IHL}	High level input voltage (I/O_{VL})	1.65	V_L to 5.5	-	1.4	-	-	1.4	-	V
		2.0			1.6	-	-	1.6	-	
		2.5			2.0	-	-	2.0	-	
		3.0			2.4	-	-	2.4	-	
		3.6			2.8	-	-	2.8	-	
V_{ILL}	Low level input voltage (I/O_{VL})	1.65	V_L to 5.5	-	-	-	0.3	-	0.3	V
		2.0			-	-	0.4	-	0.4	
		2.5			-	-	0.5	-	0.5	
		3.0			-	-	0.6	-	0.6	
		3.6			-	-	0.8	-	0.8	
V_{IHC}	High level input voltage (I/O_{VCC})	1.65 to V_{CC}	1.8	-	1.6	-	-	1.6	-	V
			2.5		2.3	-	-	2.3	-	
			3.0		2.7	-	-	2.7	-	
			3.6		3.3	-	-	3.3	-	
			4.3		3.5	-	-	3.5	-	
			5.5		4.2	-	-	4.2	-	
V_{ILC}	Low level input voltage (I/O_{VCC})	1.65 - 2.5	3 - 5.5	-	-	-	-	0.3	-	V
		2.7 - 3.6	3.6 - 5.5	-	-	-	-	0.5	-	
V_{IH-OE}	High level input voltage (OE)	1.65	V_L to 5.5	-	1.0	-	-	1.0	-	V
		2.0			1.2	-	-	1.2	-	
		2.5			1.4	-	-	1.4	-	
		3.0			1.6	-	-	1.6	-	
		3.6			2.0	-	-	2.0	-	

Table 6. DC characteristics (continued)

Symbol	Parameter	V_L	V_{CC}	Test conditions	Value					Unit
					$T_A = 25\text{ }^\circ\text{C}$			$-40\text{ to }85\text{ }^\circ\text{C}$		
					Min.	Typ.	Max.	Min.	Max.	
V_{IL-OE}	Low level input voltage (OE)	1.65	V_L to 5.5		–	–	0.33	–	0.33	V
		2.0			–	–	0.40	–	0.40	
		2.5			–	–	0.50	–	0.50	
		3.0			–	–	0.60	–	0.60	
		3.6			–	–	0.75	–	0.75	
V_{OLL}	Low level output voltage (I/O_{VL})	1.65 to 3.6	V_L to 5.5	$I_O = 1.0\text{ mA}$ $I/O_{VCC} \leq 0.15\text{ V}$	–	–	0.40	–	0.40	V
V_{OLC}	Low level output voltage (I/O_{VCC})	1.65 to 3.6	V_L to 5.5	$I_O = 1.0\text{ mA}$ $I/O_{VL} \leq 0.15\text{ V}$	–	–	0.40	–	0.40	V
I_{OE}	Control input leakage current (OE)	1.65 to 3.6	V_L to 5.5	$V_{OE} = \text{GND}$ or V_L	–	–	± 0.1	–	± 0.1	μA
I_{IO_LKG}	High impedance leakage current (I/O_{VL} , I/O_{VCC})	1.65 to 3.6	V_L to 5.5	OE = GND	–	–	± 0.1	–	± 0.1	μA
I_{QVCC}	Quiescent supply current V_{CC}	1.65 to 3.6	V_L to 5.5	Only pull-up resistor connected to I/O	–	3	3.5	–	4	μA
I_{QVL}	Quiescent supply current V_L	1.65 to 3.6	V_L to 5.5	only pull-up resistor connected to I/O	–	0.01	0.1	–	1	μA
I_{Z-VCC}	High impedance quiescent supply current V_{CC}	1.65 to 3.6	V_L to 5.5	OE = GND; only pull-up resistor connected to I/O	–	3	3.5	–	4	μA
I_{Z-VL}	High impedance quiescent supply current V_L	1.65 to 3.6	V_L to 5.5	OE = GND; only pull-up resistor connected to I/O	–	0.01	0.1	–	1	μA

6.2 AC characteristics

6.2.1 Device driven by open drain driver

Load $C_L = 15 \text{ pF}$; $R_{UP} = 4.7 \text{ k}\Omega$; driver $t_R = t_F \leq 6 \text{ ns}$ over temperature range $-40 \text{ }^\circ\text{C}$ to $85 \text{ }^\circ\text{C}$.

Table 7. AC characteristics - test conditions: $V_L = 1.65 - 1.8 \text{ V}$ (device driven by open drain driver)

Symbol	Parameter	$V_{CC} = 1.8 - 2.5 \text{ V}$		$V_{CC} = 2.7 - 3.6 \text{ V}$		$V_{CC} = 4.3 - 5.5 \text{ V}$		Unit	
		Min.	Max.	Min.	Max.	Min.	Max.		
t_{RVCC}	Rise time I/O_{VCC}	–	80.0	–	60.0	–	45.0	ns	
t_{FVCC}	Fall time I/O_{VCC}	–	23.2	–	33.9	–	53.3	ns	
t_{RVL}	Rise time I/O_{VL}	–	60.0	–	45.0	–	35.0	ns	
t_{FVL}	Fall time I/O_{VL}	–	16.4	–	17.6	–	16.9	ns	
$t_{I/O_{VL-VCC}}$	Propagation delay time I/O_{VL-LH} to I/O_{VCC-LH} I/O_{VL-HL} to I/O_{VCC-HL}	t_{PLH}	–	3.4	–	2.0	–	2.0	ns
		t_{PHL}	–	13.9	–	19.1	–	30.2	ns
$t_{I/O_{VCC-VL}}$	Propagation delay time I/O_{VCC-LH} to I/O_{VL-LH} I/O_{VCC-HL} to I/O_{VL-LH}	t_{PLH}	–	2.0	–	2.0	–	2.6	ns
		t_{PHL}	–	8.6	–	9.0	–	9.5	ns
t_{PZL} t_{PLZ}	Output enable and disable time	En	–	10	–	10	–	10	ns
		Dis	–	40	–	40	–	40	ns
D_R	Data rate ⁽¹⁾	–	1.8	–	2.2	–	3.4	MHz	

1. The data rate is guaranteed based on the condition that the output I/O signal rise/fall time is less than 15% of the input I/O signal period; the input I/O signal is at 50% duty cycle and the output I/O signal duty cycle deviation not less than 30%.

Table 8. AC characteristics - test conditions: $V_L = 2.5 - 2.7$ V (device driven by open drain driver)

Symbol	Parameter	$V_{CC} = 2.7 - 3.6$ V		$V_{CC} = 4.3 - 5.5$ V		Unit	
		Min.	Max.	Min.	Max.		
t_{RVCC}	Rise time I/O_{VCC}	–	70.0	–	50.0	ns	
t_{FVCC}	Fall time I/O_{VCC}	–	14.8	–	19.1	ns	
t_{RVL}	Rise time I/O_{VL}	–	50.0	–	35.0	ns	
t_{FVL}	Fall time I/O_{VL}	–	9.8	–	10.0	ns	
$t_{I/OVL-VCC}$	Propagation delay time I/O_{VL-LH} to I/O_{VCC-LH} I/O_{VL-HL} to I/O_{VCC-HL}	t_{PLH}	–	2.0	–	2.0	ns
		t_{PHL}	–	8.2	–	11.6	ns
$t_{I/OVCC-VL}$	Propagation delay time I/O_{VCC-LH} to I/O_{VL-LH} I/O_{VCC-HL} to I/O_{VL-LH}	t_{PLH}	–	2.0	–	2.0	ns
		t_{PHL}	–	5.3	–	5.9	ns
t_{PZL} t_{PLZ}	Output enable and disable time	En	–	6	–	6	ns
		Dis	–	40	–	40	ns
D_R	Data rate ⁽¹⁾	–	2.2	–	3.0	MHz	

1. The data rate is guaranteed based on the condition that the output I/O signal rise/fall time is less than 15% of the input I/O signal period; the input I/O signal is at 50% duty cycle and the output I/O signal duty cycle deviation not less than 30%.

Table 9. AC characteristics - test conditions: $V_L = 2.7 - 3.6$ V (device driven by open drain driver)

Symbol	Parameter	$V_{CC} = 4.3 - 5.5$ V		Unit	
		Min.	Max.		
t_{RVCC}	Rise time I/O_{VCC}	–	55.0	ns	
t_{FVCC}	Fall time I/O_{VCC}	–	17.2	ns	
t_{RVL}	Rise time I/O_{VL}	–	40.0	ns	
t_{FVL}	Fall time I/O_{VL}	–	9.7	ns	
$t_{I/OVL-VCC}$	Propagation delay time I/O_{VL-LH} to I/O_{VCC-LH} I/O_{VL-HL} to I/O_{VCC-HL}	t_{PLH}	–	2.0	ns
		t_{PHL}	–	10.6	ns
$t_{I/OVCC-VL}$	Propagation delay time I/O_{VCC-LH} to I/O_{VL-LH} I/O_{VCC-HL} to I/O_{VL-HL}	t_{PLH}	–	2.0	ns
		t_{PHL}	–	4.8	ns
t_{PZL} t_{PLZ}	Output enable and disable time	En	–	6	ns
		Dis	–	40	ns
D_R	Data rate ⁽¹⁾	–	–	3.0	MHz

1. The data rate is guaranteed based on the condition that the output I/O signal rise/fall time is less than 15% of the input I/O signal period; the input I/O signal is at 50% duty cycle and the output I/O signal duty cycle deviation not less than 30%.

6.2.2 Device driven by totem pole driver

Load $C_L = 15 \text{ pF}$; $R_{UP} = 10 \text{ k}\Omega$; driver $t_R = t_F \leq 6 \text{ ns}$ over temperature range $-40 \text{ }^\circ\text{C}$ to $85 \text{ }^\circ\text{C}$.

**Table 10. AC characteristics - test conditions: $V_L = 1.65 - 1.8 \text{ V}$
(device driven by totem pole driver)**

Symbol	Parameter		$V_{CCB} = 1.8 - 2.5 \text{ V}$		$V_{CCB} = 2.7 - 3.6 \text{ V}$		$V_{CCB} = 4.3 - 5.5 \text{ V}$		Unit
			Min.	Max.	Min.	Max.	Min.	Max.	
t_{RVCC}	Rise time I/O_{VCC}		–	11.2	–	6.9	–	2.0	ns
t_{FVCC}	Fall time I/O_{VCC}		–	23.2	–	33.9	–	43.9	ns
t_{RVL}	Rise time I/O_{VL}		–	8.7	–	8.6	–	8.5	ns
t_{FVL}	Fall time I/O_{VL}		–	16.4	–	17.6	–	16.9	ns
$t_{I/O_{VL-VCC}}$	Propagation delay time I/O_{VL-LH} to I/O_{VCC-LH} I/O_{VL-HL} to I/O_{VCC-HL}	t_{PLH}	–	6.5	–	4.5	–	4.1	ns
		t_{PHL}	–	13.9	–	19.1	–	30.2	ns
$t_{I/O_{VCC-VL}}$	Propagation delay time I/O_{VCC-LH} to I/O_{VL-LH} I/O_{VCC-HL} to I/O_{VL-HL}	t_{PLH}	–	4.5	–	4.6	–	4.0	ns
		t_{PHL}	–	8.6	–	9.0	–	9.5	ns
t_{PZL} t_{PLZ}	Output enable and disable time	En	–	15	–	15	–	20	ns
		Dis	–	40	–	40	–	40	ns
D_R	Data rate ⁽¹⁾		–	6.4	–	4.5	–	3.4	MHz

- The data rate is guaranteed based on the condition that the output I/O signal rise/fall time is less than 15% of the input I/O signal period; the input I/O signal is at 50% duty cycle and the output I/O signal duty cycle deviation not less than 30%.

Table 11. AC characteristics - test conditions: $V_L = 2.5 - 2.7$ V (device driven by totem pole driver)

Symbol	Parameter		$V_{CC} = 2.7 - 3.6$ V		$V_{CC} = 4.3 - 5.5$ V		Unit
			Min.	Max.	Min.	Max.	
t_{RVCC}	Rise time I/O_{VCC}		–	6.9	–	4.0	ns
t_{FVCC}	Fall time I/O_{VCC}		–	14.8	–	19.1	ns
t_{RVL}	Rise time I/O_{VL}		–	5.3	–	5.6	ns
t_{FVL}	Fall time I/O_{VL}		–	9.8	–	10.0	ns
$t_{I/OVL-VCC}$	Propagation delay time I/O_{VCC-LH} to I/O_{VL-LH} I/O_{VCC-HL} to I/O_{VL-HL}	t_{PLH}	–	3.2	–	3.1	ns
		t_{PHL}	–	8.2	–	11.6	ns
$t_{I/OVCC-VL}$	Propagation delay time I/O_{VCC-LH} to I/O_{VL-LH} I/O_{VCC-HL} to I/O_{VL-HL}	t_{PLH}	–	2.6	–	2.2	ns
		t_{PHL}	–	5.3	–	5.9	ns
t_{PZL}	Output enable and disable time	En	–	8	–	12	ns
t_{PLZ}		Dis	–	40	–	40	ns
D_R	Data rate ⁽¹⁾		–	9	–	6.8	MHz

1. The data rate is guaranteed based on the condition that the output I/O signal rise/fall time is less than 15% of the input I/O signal period; the input I/O signal is at 50% duty cycle and the output I/O signal duty cycle deviation not less than 30%.

Table 12. AC characteristics - test conditions: $V_L = 2.7 - 3.6$ V (device driven by totem pole driver)

Symbol	Parameter		$V_{CC} = 4.3 - 5.5$ V		Unit
			Min.	Max.	
t_{RVCC}	Rise time I/O_{VCC}		–	4.3	ns
t_{FVCC}	Fall time I/O_{VCC}		–	17.2	ns
t_{RVL}	Rise time I/O_{VL}		–	4.5	ns
t_{FVL}	Fall time I/O_{VL}		–	9.7	ns
$t_{I/OVL-VCC}$	Propagation delay time I/O_{VL-LH} to I/O_{VCC-LH} I/O_{VL-HL} to I/O_{VCC-HL}	t_{PLH}	–	2.7	ns
		t_{PHL}	–	10.6	ns
$t_{I/OVCC-VL}$	Propagation delay time I/O_{VCC-LH} to I/O_{VL-LH} I/O_{VCC-HL} to I/O_{VL-HL}	t_{PLH}	–	1.9	ns
		t_{PHL}	–	4.8	ns
t_{PZL}	Output enable and disable time	En	–	7	ns
t_{PLZ}		Dis	–	40	ns
D_R	Data rate ⁽¹⁾		–	7.2	MHz

1. The data rate is guaranteed based on the condition that the output I/O signal rise/fall time is less than 15% of the input I/O signal period; the input I/O signal is at 50% duty cycle and the output I/O signal duty cycle deviation not less than 30%.

Figure 4. Test circuit

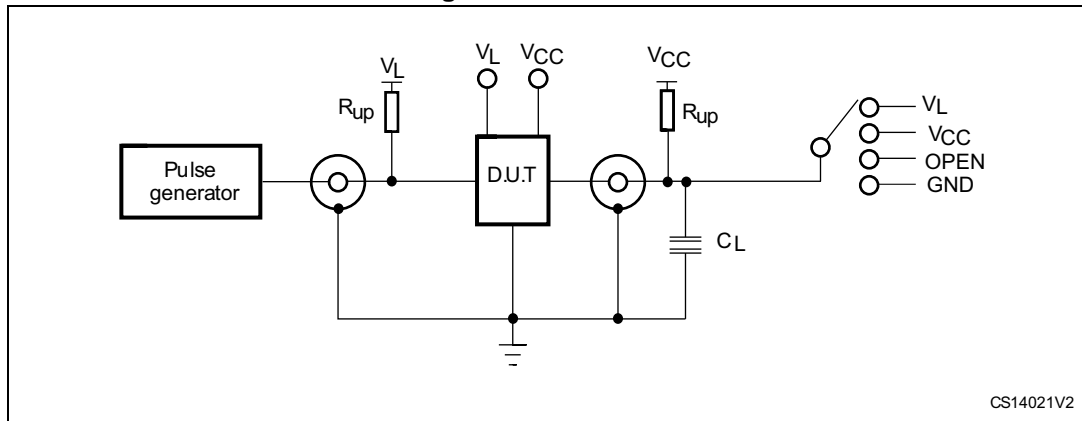


Table 13. Test circuit switches

Test	Switch		
	Driving I/O _{V_L}	Driving I/O _{V_{CC}}	Open drain driving
t _{PLH} , t _{PHL}	Open	Open	Open

7 Waveforms

Table 14. Waveform symbol value

Symbol	Driving I/O _{V_L}		Driving I/O _{V_{CC}}	
	$1.8\text{ V} \leq V_L \leq V_{CC} \leq 2.5\text{ V}$	$3.3\text{ V} \leq V_L \leq V_{CC} \leq 5.0\text{ V}$	$1.8\text{ V} \leq V_L \leq V_{CC} \leq 2.5\text{ V}$	$3.3\text{ V} \leq V_L \leq V_{CC} \leq 5.0\text{ V}$
V _{IH}	V _L	V _L	V _{CC}	V _{CC}
V _{IM}	50% V _L	50% V _L	50% V _{CC}	50% V _{CC}
V _{OM}	50% V _{CC}	50% V _{CC}	50% V _L	50% V _L

Figure 5. Waveform - propagation delay (f = 1 MHz; 50% duty cycle)

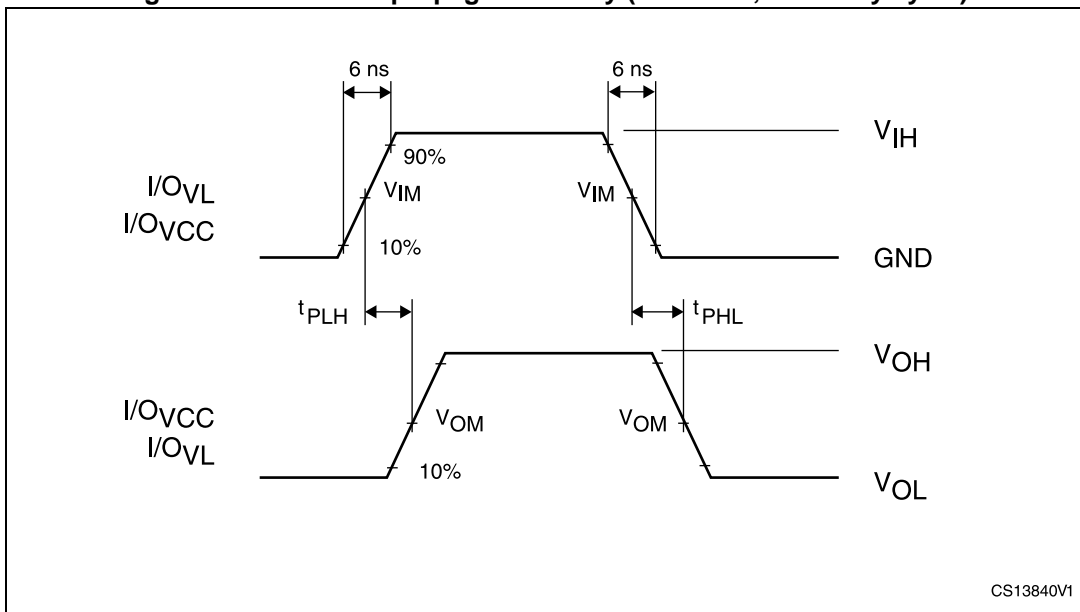
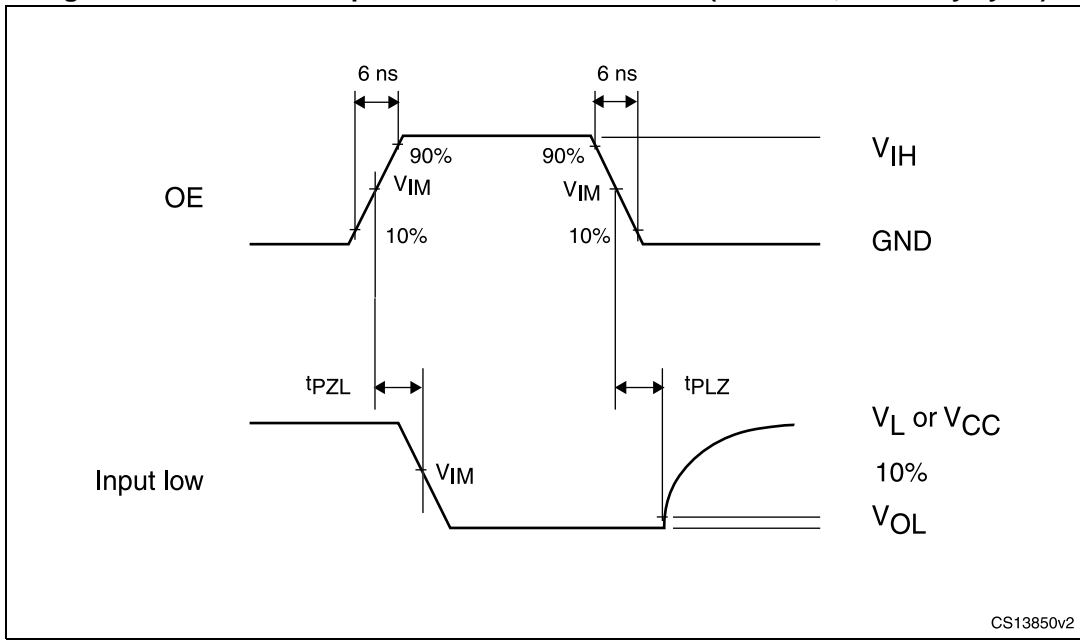


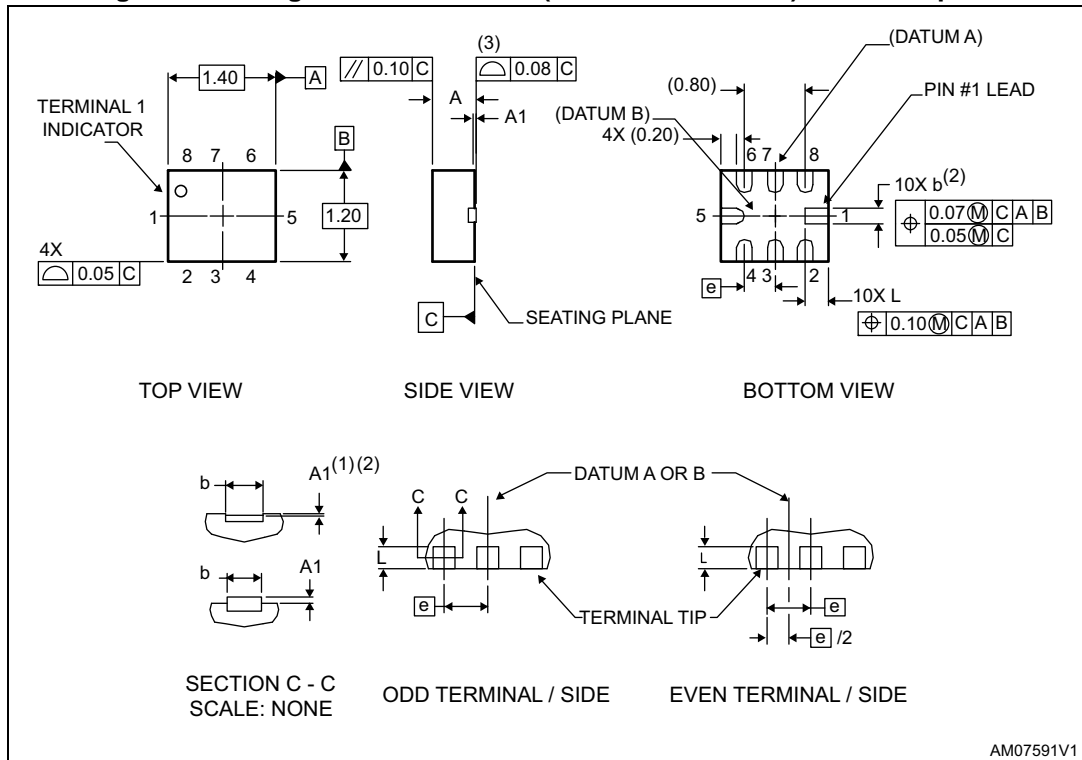
Figure 6. Waveform - output enable and disable time (f = 1 MHz; 50% duty cycle)



8 Package mechanical data

In order to meet environmental requirements, ST offers these devices in different grades of ECOPACK® packages, depending on their level of environmental compliance. ECOPACK specifications, grade definitions and product status are available at: www.st.com. ECOPACK is an ST trademark.

Figure 7. Package outline for QFN8 (1.4 x 1.2 x 0.55 mm) - 0.40 mm pitch



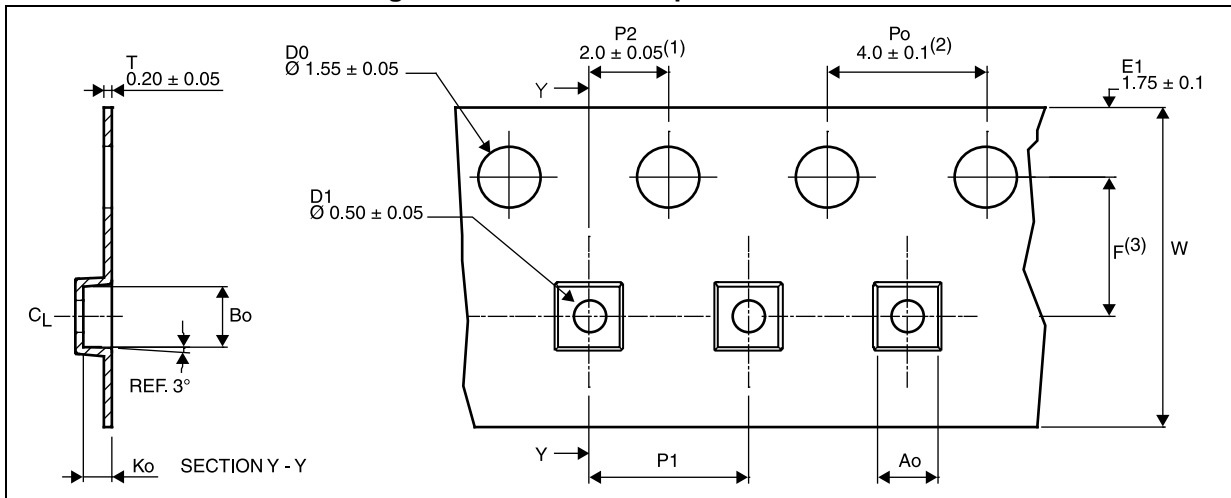
1. Dimension b applies to the metallized terminal and is measured between 0.10 and 0.20 mm from the terminal tip. If the terminal has the optional radius on the other end of the terminal, dimension b should not be measured in that radius area.
2. Applied only for terminals.
3. Bilateral coplanarity zone applies to the exposed heatsink slug as well as the terminals.
4. Dimensions and tolerancing conform to ASME Y14.5M - 1994.

Table 15. Mechanical data for QFN8 (1.4 x 1.2 x 0.55 mm) - 0.40 mm pitch

Symbol	Dimensions (mm)			Note
	Min.	Nom.	Max.	
A	0.50	0.55	0.60	
A1	0.00	-	0.05	
b	0.15	0.20	0.25	(1)
B	0	-	12°	(2)
e	0.40 BSC			
N	8			(3)
L	0.25	0.30	0.35	

1. Dimension b applies to the metallized terminal and is measured between 0.10 and 0.20 mm from the terminal tip. If the terminal has the optional radius on the other end of the terminal, dimension b should not be measured in that radius area.
2. All dimensions are in millimeters, B is in degrees.
3. N is the total number of terminals.

Figure 8. QFN8 carrier tape - 8 mm width

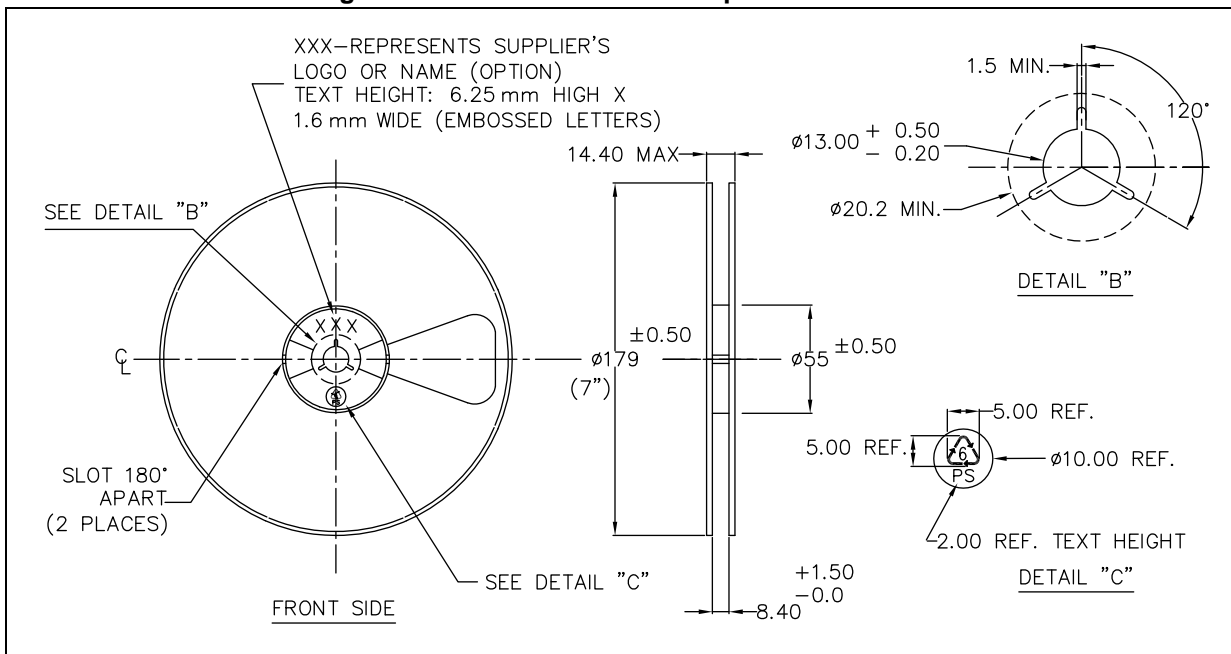


1. Measured from centerline of sprocket hole to centerline of pocket.
2. Cumulative tolerance of 10 sprocket holes is ± 0.20 .
3. Measured from centerline of sprocket hole to centerline of pocket.
4. Other material available.
5. Typical SR of form tape max. $10^\circ \Omega/SR$.
6. All dimensions are in millimeters unless otherwise stated.

Table 16. QFN8 carrier tape dimensions - 8 mm width

	Carrier tape					
Symbol	Ao	Bo	Ko	F	P1	W
Dimensions	1.52 ± 0.05	1.52 ± 0.05	0.73 ± 0.05	3.50 ± 0.05	4.00 ± 0.10	8.00 ± 0.10

Figure 9. QFN8 reel for carrier tape - 8 mm width



9 Revision history

Table 17. Document revision history

Date	Revision	Changes
25-Jun-2012	1	Initial release.
03-Aug-2012	2	Updated Section 6.2.1 , Section 6.2.2 , Table 10 , Table 11 , and Table 12 , added carrier tape (Figure 8 and Table 16).
18-Feb-2013	3	Updated document status (production data). Minor corrections throughout document.

Please Read Carefully:

Information in this document is provided solely in connection with ST products. STMicroelectronics NV and its subsidiaries ("ST") reserve the right to make changes, corrections, modifications or improvements, to this document, and the products and services described herein at any time, without notice.

All ST products are sold pursuant to ST's terms and conditions of sale.

Purchasers are solely responsible for the choice, selection and use of the ST products and services described herein, and ST assumes no liability whatsoever relating to the choice, selection or use of the ST products and services described herein.

No license, express or implied, by estoppel or otherwise, to any intellectual property rights is granted under this document. If any part of this document refers to any third party products or services it shall not be deemed a license grant by ST for the use of such third party products or services, or any intellectual property contained therein or considered as a warranty covering the use in any manner whatsoever of such third party products or services or any intellectual property contained therein.

UNLESS OTHERWISE SET FORTH IN ST'S TERMS AND CONDITIONS OF SALE ST DISCLAIMS ANY EXPRESS OR IMPLIED WARRANTY WITH RESPECT TO THE USE AND/OR SALE OF ST PRODUCTS INCLUDING WITHOUT LIMITATION IMPLIED WARRANTIES OF MERCHANTABILITY, FITNESS FOR A PARTICULAR PURPOSE (AND THEIR EQUIVALENTS UNDER THE LAWS OF ANY JURISDICTION), OR INFRINGEMENT OF ANY PATENT, COPYRIGHT OR OTHER INTELLECTUAL PROPERTY RIGHT.

ST PRODUCTS ARE NOT AUTHORIZED FOR USE IN WEAPONS. NOR ARE ST PRODUCTS DESIGNED OR AUTHORIZED FOR USE IN: (A) SAFETY CRITICAL APPLICATIONS SUCH AS LIFE SUPPORTING, ACTIVE IMPLANTED DEVICES OR SYSTEMS WITH PRODUCT FUNCTIONAL SAFETY REQUIREMENTS; (B) AERONAUTIC APPLICATIONS; (C) AUTOMOTIVE APPLICATIONS OR ENVIRONMENTS, AND/OR (D) AEROSPACE APPLICATIONS OR ENVIRONMENTS. WHERE ST PRODUCTS ARE NOT DESIGNED FOR SUCH USE, THE PURCHASER SHALL USE PRODUCTS AT PURCHASER'S SOLE RISK, EVEN IF ST HAS BEEN INFORMED IN WRITING OF SUCH USAGE, UNLESS A PRODUCT IS EXPRESSLY DESIGNATED BY ST AS BEING INTENDED FOR "AUTOMOTIVE, AUTOMOTIVE SAFETY OR MEDICAL" INDUSTRY DOMAINS ACCORDING TO ST PRODUCT DESIGN SPECIFICATIONS. PRODUCTS FORMALLY ESCC, QML OR JAN QUALIFIED ARE DEEMED SUITABLE FOR USE IN AEROSPACE BY THE CORRESPONDING GOVERNMENTAL AGENCY.

Resale of ST products with provisions different from the statements and/or technical features set forth in this document shall immediately void any warranty granted by ST for the ST product or service described herein and shall not create or extend in any manner whatsoever, any liability of ST.

ST and the ST logo are trademarks or registered trademarks of ST in various countries.

Information in this document supersedes and replaces all information previously supplied.

The ST logo is a registered trademark of STMicroelectronics. All other names are the property of their respective owners.

© 2013 STMicroelectronics - All rights reserved

STMicroelectronics group of companies

Australia - Belgium - Brazil - Canada - China - Czech Republic - Finland - France - Germany - Hong Kong - India - Israel - Italy - Japan - Malaysia - Malta - Morocco - Philippines - Singapore - Spain - Sweden - Switzerland - United Kingdom - United States of America

www.st.com

