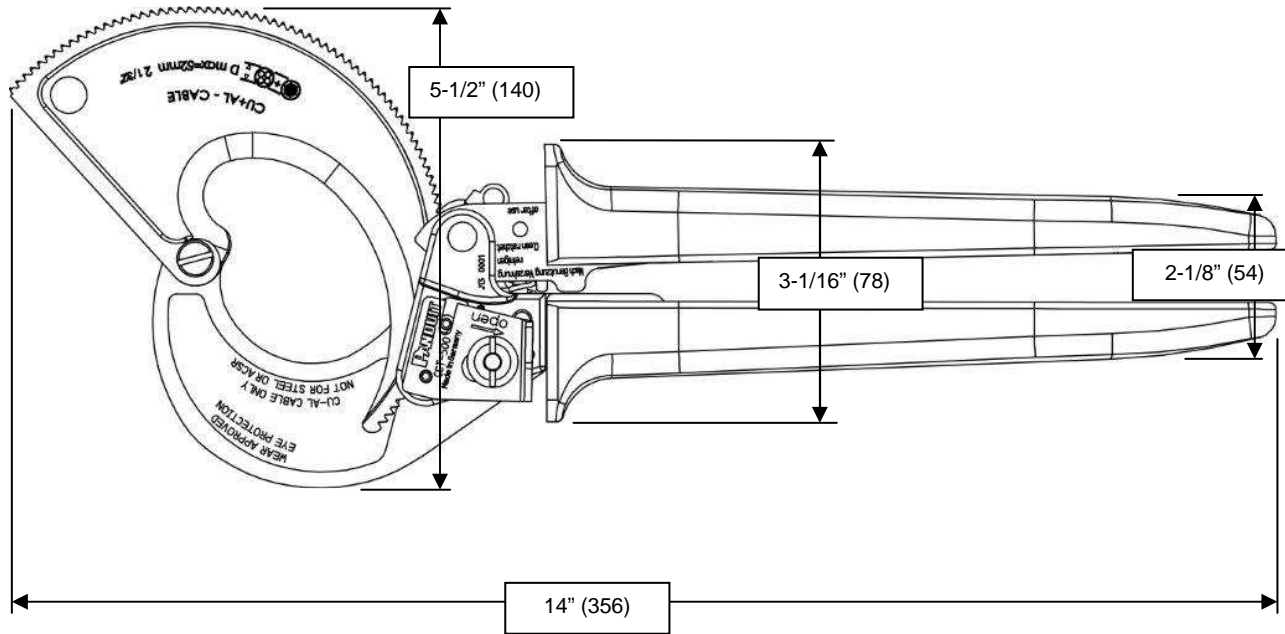


THIS COPY IS PROVIDED ON A RESTRICTED BASIS AND IS NOT TO BE USED IN ANY WAY DETRIMENTAL TO THE INTERESTS OF PANDUIT CORP.



NOTES, UNLESS OTHERWISE SPECIFIED:

PANDUIT TOOL NUMBER: CCT-500

THIS TOOLS' FEATURES INCLUDE:

- One hand operation due to an optimal force transmission ratio and a stepwise cutting up to 2-1/32" (52mm) diameter.
- Unlocking possibility in every position.
- All parts made of high tempered special steel.
- Blades and stressed parts are specially tempered or hardened.
- Tool has a burnished surface.
- Tool has ergonomically formed soft-handle grips.
- Tool is RoHS compliant and fully recyclable.
- Tool cuts both Copper and Aluminum solid and stranded cables up to 2-1/32" (52mm) in diameter.
- DO NOT USE THIS TOOL TO CUT STEEL OR ASCR CABLE.

APPROX. DIMENSIONS: 14" (356) x 5-1/2" (140) x 1" (25.4)

TOOL WEIGHT: 29.6oz., (840gr.)

Find this drawing on TeamCenter

CD * CCT-500 CABLE CUTTER

CUSTOMER DRAWING

ITEM REVISION NAME:

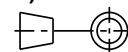
CG26096A01_01

PANDUIT

UNLESS OTHERWISE SPECIFIED,
DIMENSIONAL TOLERANCES ARE:

(.x) ± --- (.xxx) ± ---
(.xx) ± --- ANGLES ± ---

MATERIAL:



THIRD ANGLE
PROJECTION

DRAWING NUMBER:
CG26096A01

01	2-04-14	BLR	<i>BJPU</i>	<i>ABJ</i>	REDRAWN-NEW TEMPLATE; UPD BRANDING	4703
REV	DATE	BY	CHK	APR	DESCRIPTION	ECN

DRAWN BY: BJPU	DATE: 3-25-09	CHK ---	SCALE NONE	SHT 1 OF 1	SIZE A
--------------------------	-------------------------	-------------------	----------------------	-------------------	-------------------------