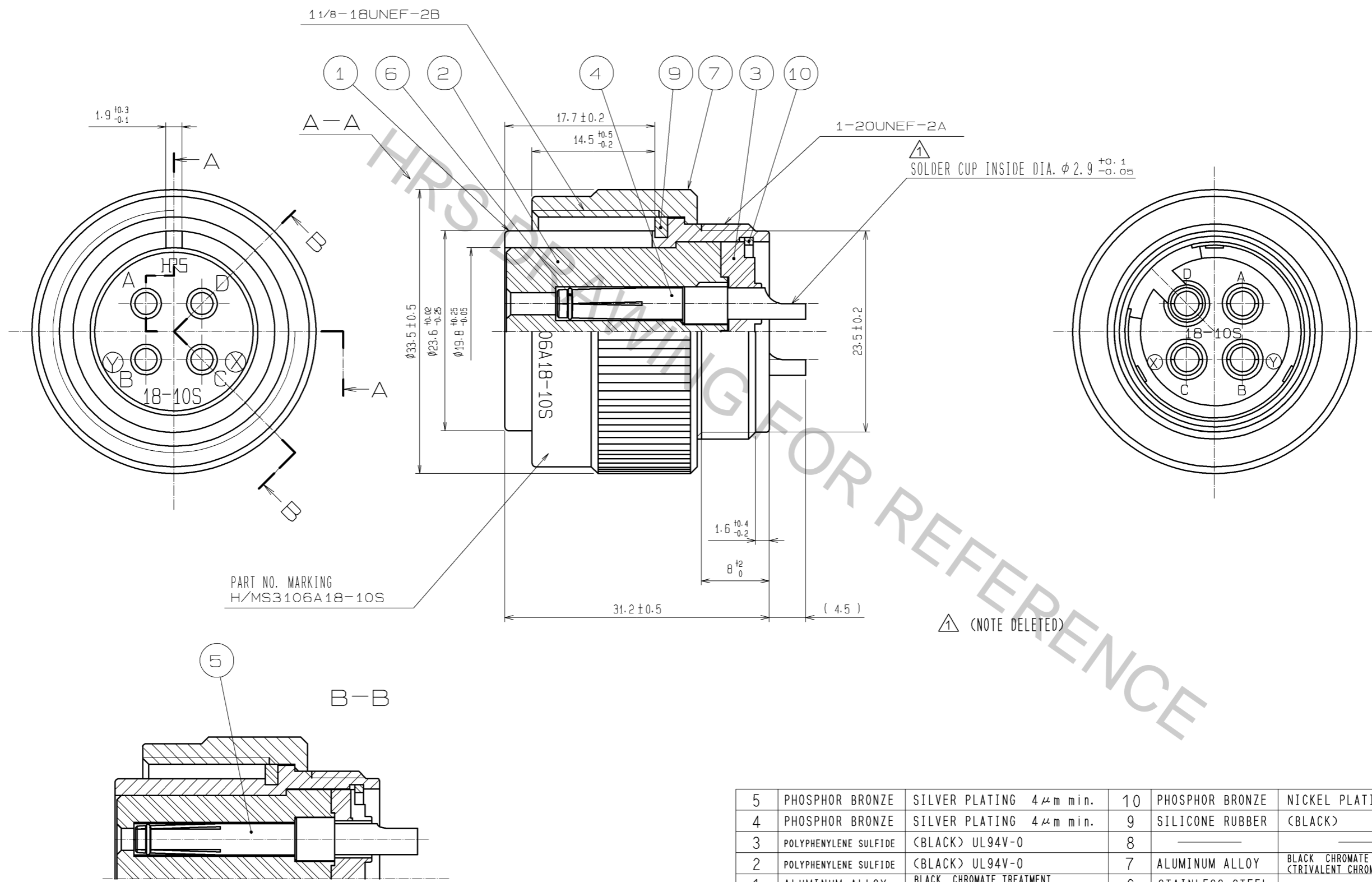


Aug.1.2018 Copyright 2018 HIROSE ELECTRIC CO., LTD. All Rights Reserved.
 In case that the application demands a high level of reliability, such as automotive,
 please contact a company representative for further information.



NO.	MATERIAL	FINISH . REMARKS	NO.	MATERIAL	FINISH . REMARKS
5	PHOSPHOR BRONZE	SILVER PLATING 4 μm min.	10	PHOSPHOR BRONZE	NICKEL PLATING
4	PHOSPHOR BRONZE	SILVER PLATING 4 μm min.	9	SILICONE RUBBER	(BLACK)
3	POLYPHENYLENE SULFIDE	(BLACK) UL94V-0	8		
2	POLYPHENYLENE SULFIDE	(BLACK) UL94V-0	7	ALUMINUM ALLOY	BLACK CHROMATE TREATMENT (TRIVALENT CHROMIUM)
1	ALUMINUM ALLOY	BLACK CHROMATE TREATMENT (TRIVALENT CHROMIUM)	6	STAINLESS STEEL	

UNITS	SCALE	COUNT	DESCRIPTION OF REVISIONS	DESIGNED	CHECKED	DATE
mm	2 : 1	2	DIS-C-002161	WR. AJIRO	HY. KISHI	11.05.23

APPROVED : MO. SATOH	08.08.27	DRAWING NO.	EDC3-048960-76
CHECKED : HY. KOBAYASHI	08.08.27	PART NO.	H/MS3106A18-10S(76)
DESIGNED : MM. ISHII	08.08.26	CODE NO.	CL120-0605-4-76
DRAWN : MM. ISHII	08.08.26		