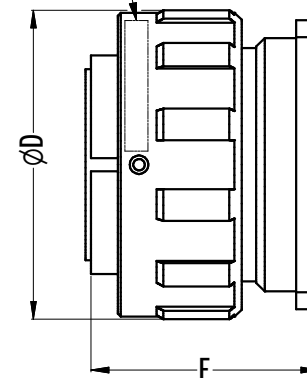
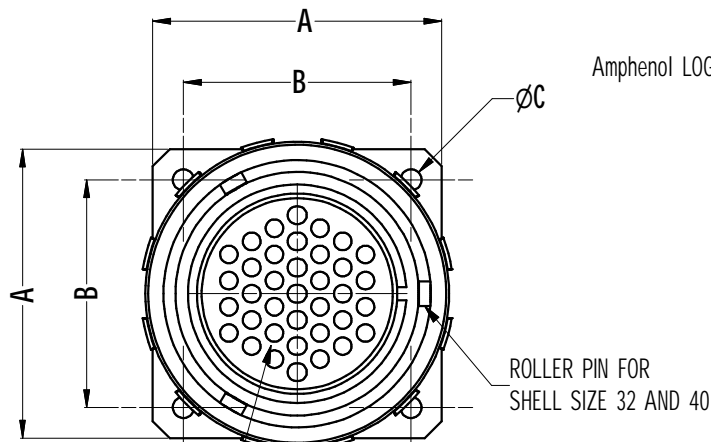


ISOMETRIC VIEW



CONTACT HOLES NOT SHOWN,
FOR NO OF CONTACTS REFER TO TABLE

Parts List, Dimensions in mm (inches)								
ITEM	CATALOGUE P/No	NO OF CONTACT	A	B	C	DIA D	E	ROLLER PIN
1	MP-4164-13S	13	38.0	29.4	3.2	40.5	38.8	NO
2	MP-4164-19S	19	41.0	31.8	3.2	44.0	38.8	NO
3	MP-4164-25S	25	44.5	34.9	3.7	48.5	41.0	NO
4	MP-4164-37S	37	50.8	39.7	3.7	54.3	42.0	NO
5	MP-4164-54S	54	57.0	44.5	4.3	60.8	45.0	YES
6	MP-4164-85S	85	69.9	55.5	4.3	73.3	45.0	YES

5	CHANGE FINISH TO BLACK COATING	T.N	17/02/2006	8478
4	CHANGE FINISH NOTES ADD ROLLER PINS ON COUPLING NUT	T.N	09/09/2005	8422
3	CHANGE FINISH FROM PLATING TO COATING	L.V	16/04/2004	8277
2	SEE CHANGE NOTE 8272	T.N	15/03/2004	8272
1	REMOVE REFERENCE PART NUMBERS	T.N	16/09/2003	8214
0	FIRST ISSUE	T.N	28/02/2003	----
REV.	CHANGE DETAILS	BY	DATE	CHG/No

CUSTOMER DRAWING

NOTES:

- MATERIAL AND FINISH: DIE CAST ALUMINUM ALLOY, BLACK FINISH
- SUPPLIED WITH GOLD PLATED SOCKET CONTACTS

UNLESS OTHERWISE SPECIFIED TOLERANCE TO BE		THIS DOCUMENT IS THE PROPERTY OF AMPHENOL AUSTRALIA PTY. LTD.. NO PART THEREOF MAY BE REPRODUCED AND USED WITHOUT THE PRIOR WRITTEN CONSENT OF THE OWNER			
LINEAR	ANGULAR	CAD FILE: 55010258000215	DRN: T.N	DATE: 28/02/2003	TITLE: PANEL RECP WITH SOCKET CONTACT
X ±	X' ± 1	MATL: SEE NOTE 1	CKD: P.M	DATE: 20/02/06	Amphenol <small>Amphenol Australia Pty Ltd, 2 Fireways Blvd, Keysborough, Vic 3172</small> DRAWING NO. SHEET 55010258-000-2 2/2
X.X ±	X'X' ± 30'	FINISH: SEE NOTE 1	APP'D: P.M	DATE: 20/02/06	
X.XX ±	X'X'X' ± 15'	DIMENSIONS IN MILLIMETRES	THIRD ANGLE PROJECTION	SCALE:	PART No: SEE TABLE SIZE: A4