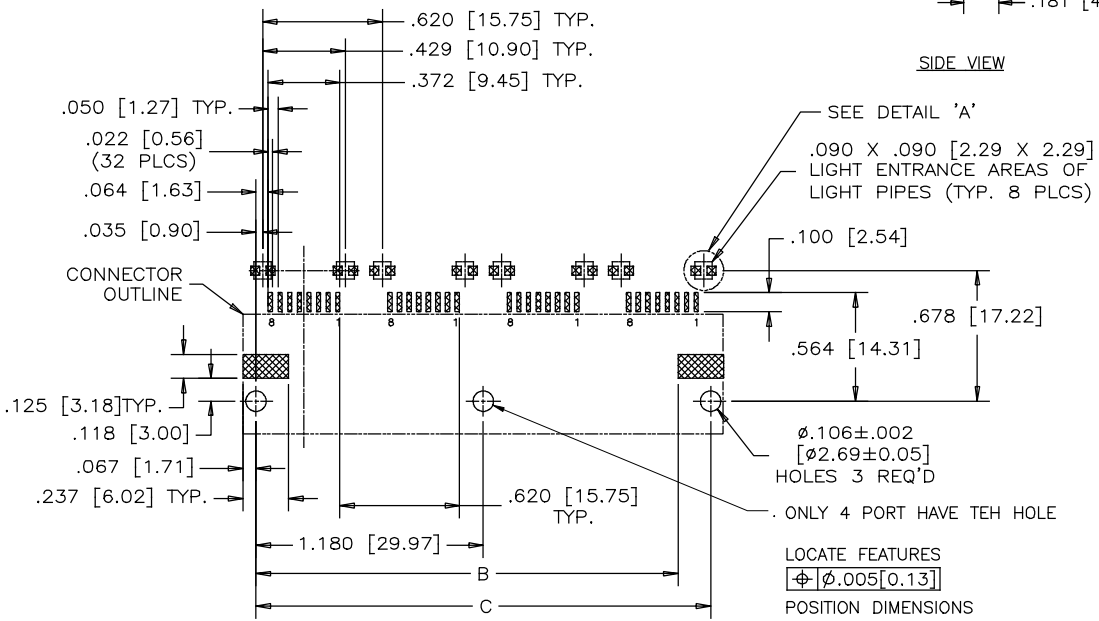
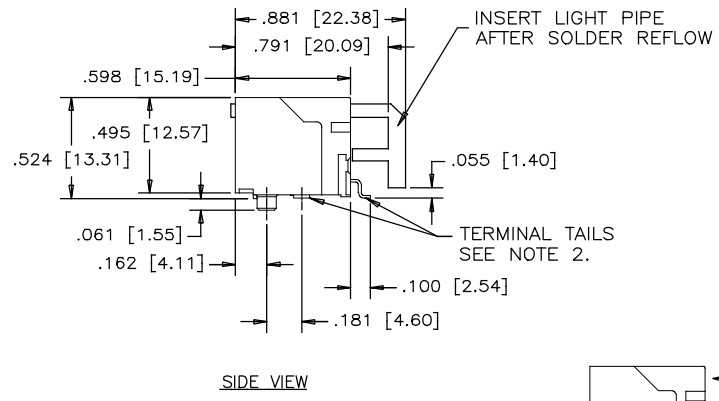
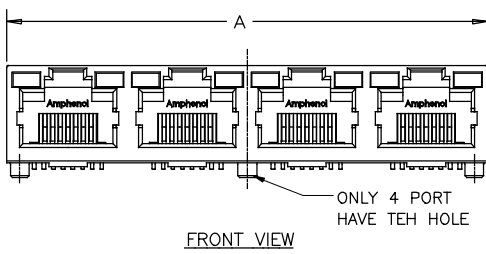
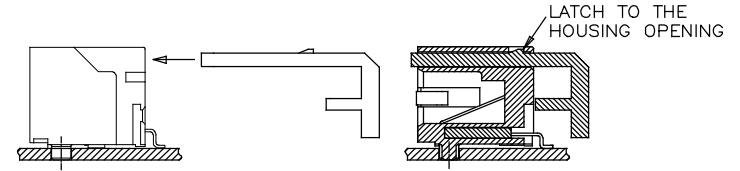
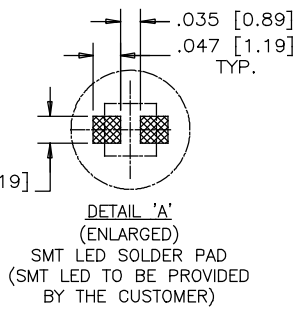
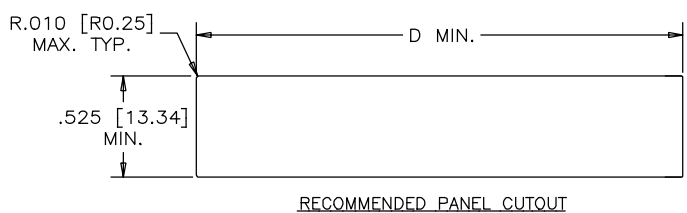


REVISIONS				
SYM	ZONE	DESCRIPTION	DATE	APPRD.
A		PROPOSAL	SEPT 22/08	L.CHAN
B		CORRECT DIMENSION	JAN 21/16	L.CHAN



RECOMMENDED P.C.B. LAYOUT
(COMPONENT SIDE OF BOARD)



- NOTE:
- MATERIALS:
 - HOUSING: HIGH TEMPERATURE THERMOPLASTIC
FLAMMABILITY RATING UL 94V-0
COLOR: BLACK
 - CONTACTS: PHOSPHOR BRONZE
PLATING: 20 μ" [0.51 MICRONS]
MIN. GOLD ON MATING SURFACES.
50 μ" [1.27 MICRONS]
MIN. NICKEL UNDERPLATE.
100 μ" [2.54 MICRONS]
MIN. PURE TIN ON CONTACT TAILS.
 - COPLANARITY SPECIFICATION:
WITH THE MODULAR JACK SITTING ON A LEVEL SURFACE,
THE MAXIMUM GAP BETWEEN BOTH FITTING NAILS AND ALL
TERMINAL TAILS IS .004 [0.10].
 - LIGHT PIPE PART NUMBER RJSS248501 MUST BE ORDERED SEPARATELY

AMPHENOL PART NUMBER: RJSSE-508X-XX

- PORT NUMBER
- BLOCKED-1 PORT
- 02-2 PORT
- 04-4 PORT
- LIGHT PIPE DESIGNATION
- 0 - BLOCKED
- 1 - WITH LIGHT PIPE

NUMBER OF PORT	DIM A	DIM B	DIM C	DIM D
1 PORT	.634[16.11]	.330[8.38]	.500[12.70]	.649[16.49]
2 PORT	1.254[31.85]	.780[19.81]	1.120[28.45]	1.269[32.24]
4 PORT	2.494[63.35]	2.190[55.64]	2.360[59.94]	2.509[63.73]

DRAWN	J.OUYANG	DATE	SEPT 22/08
DESIGNED	MT.CHAN	DATE	SEPT 22/08
CHECKED	L.CHAN	DATE	SEPT 22/08
I. E. APPRD.			
Q. A. APPRD.			
DWG. APPRD.			
ENG. REL. NO.			
REF.	EAR #13336		
DIMENSIONS ARE IN		CODE ID. NO.	
INCHES [mm]		03554	

Amphenol Canada Corp.

TITLE: SURFACE MOUNT JACK, 8 POSITION, 8 CONTACTS, UNSHIELD, WITH LIGHT PIPES OPTION - RoHS COMPLIANT

DWG C DRAWING NO. P-RJSSE-508X-XX REV. B

SCALE 2:1 WT. _____ SURF. _____ SHEET 1 of 1

THIS DOCUMENT CONTAINS PROPRIETARY INFORMATION AND SUCH INFORMATION MAY NOT BE DISCLOSED TO OTHERS FOR ANY PURPOSE OR USED FOR MANUFACTURING PURPOSES WITHOUT WRITTEN PERMISSION FROM AMPHENOL CANADA CORP.